

Suction cup BL50-2 Silicone, 1/8" NPSF female, PA

Article number: 0110342



- Suitable for level adjustment.
- Lifting movement to separate small and thin objects.
- Less suitable when the lifting force is parallel to the surface of the object.

Technical data

Description	Unit	Value
Suction cup shape	-	Multibellows
Application	-	Bag handling
Suction cup design	-	Round
Characteristics	-	Bag handling
Material	-	Silicone (SIL)
Weight, min.	g	20
Suction cup model	-	BL-2
Volume	cm ³	53
Height	mm	62
Outer diameter, min.	mm	50
Fitting size	-	1/8"
Fitting option	-	None
Fitting style	-	Female
Fitting type	-	NPSF-thread
Suction cup model	-	BL50-2 reinforcement ring
Movement, vertical max.	mm	30
Suction cup model	-	BL50-2
Movement, vertical max.	mm	30
Curve radius, min.	mm	13

Performance - Lifting forces

BL50-2 reinforcement ring	Vertical (N)	Parallel (N)
20 -kPa	17	
60 -kPa	43	
BL50-2		
20 -kPa	21	
60 -kPa	48	

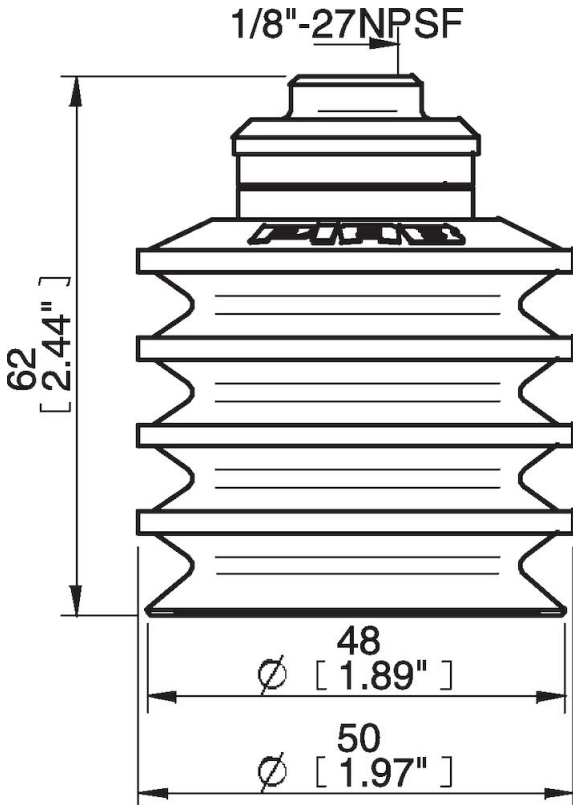
Material

Name	Silicone, SIL 50° Shore A
Colour	Red
Temperature, min. °C	-40
Temperature max. °C	200
Hardness °Shore A	50

Material resistance

Alcohol	Good
Concentrated acids	Poor
Ethanol	n/a
Hydrolysis	Fair
Methanol	n/a
Oil	Poor
Oxidation	Excellent
Petrol	Poor
Wear resistance	Good
Weather and ozone	Excellent

Dimensional drawings



Values specified in this data sheet are tested at (unless otherwise stated):

- Room temperature (20°C [68°F] ± 3°C [5.5°F]).
- Standard atmosphere (101.3 [29.9 inHg] ± 1.0 kPa [0.3 inHg]).
- Relative humidity 20-70%.
- Compressed air quality, DIN ISO 8573-1 class 4.

Accessories

0100262 | Fitting 5x1/8" NPSF female, 50
0101121 | Suction cup BL50-2 Chloroprene
0101154 | Fitting 1/8" NPSF female, 50, with mesh filter
0200715 | Fitting G1/8" male, 50, with mesh filter
3250017 | Fitting 1/8" NPSF female, 50
3250087 | Fitting G3/8" male, 50, with mesh filter
3250090 | Fitting 3/8" NPT male, with mesh filter
3250092 | Fitting G1/4" male, 50, with mesh filter
3250094 | Fitting 1/4" NPT male, with mesh filter
3251012 | Fitting 1/8" NPSF female, 50, with dual flow control valve
3251013 | Fitting G1/4" male, with mesh filter and dual flow control valve
3251014 | Fitting 1/4" NPT male, with dual flow control valve
3251015 | Fitting G3/8" male, 50, with mesh filter and dual flow control valve
3251016 | Fitting 3/8" NPT male, with dual flow control valve
3251017 | Fitting 5x1/8" NPSF female, 50, with dual flow control valve
3150074 | Reinforcement ring 50-2

Spare parts

0101122 | Suction cup BL50-2 Silicone
3150198 | Fitting 1/8" NPSF female, 50, PA