

Suction cup B30-2 Chloroprene, G1/4" male, with mesh filter

Article number: 0101418



- Suitable for level adjustment. Several short bellows in one lifting device can handle objects with height differences and varying shapes, for example embossed or corrugated plates.
- The lifting movement can be used to separate small and thin objects.
- Only lightweight objects should be handled when the lifting force is parallel to the surface of the object, in order to achieve good precision and safe lifting movement.

Technical data

Description	Unit	Value
Suction cup shape	-	Bellows
Application	-	Dry sheet metal, Plastic injection molded parts
Suction cup design	-	Round
Characteristics	-	Dry sheet metal, Plastic injection molded parts
Material	-	Chloroprene (CR)
Weight, max.	g	15
Weight, min.	g	7
Suction cup model	-	B
Volume	cm ³	10
Height	mm	41.2
Outer diameter, min.	mm	34
Fitting size	-	1/4"
Fitting option	-	Filter mesh
Fitting style	-	Male
Fitting type	-	G-thread
Suction cup model	-	B30-2
Movement, vertical max.	mm	14
Curve radius, min.	mm	15

Performance - Lifting forces

B30-2	Vertical (N)	Parallel (N)
20 -kPa	12	9.4
60 -kPa	22	16.6
90 -kPa	27	22.2

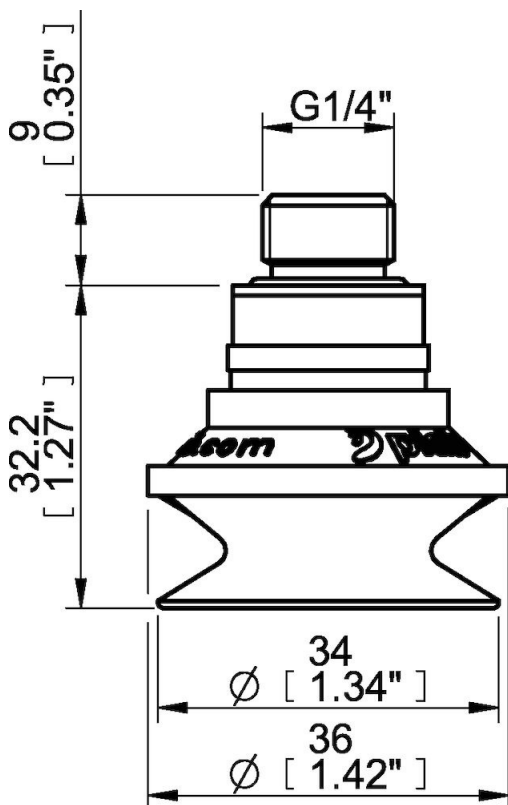
Material

Name	Chloroprene (CR) 65° Shore A
Colour	Black
Temperature, min. °C	-40
Temperature max. °C	110
Hardness °Shore A	65

Material resistance

Alcohol	Good
Concentrated acids	Poor
Ethanol	n/a
Hydrolysis	Good
Methanol	n/a
Oil	Fair
Oxidation	Good
Petrol	Fair
Wear resistance	Excellent
Weather and ozone	Good

Dimensional drawings



Values specified in this data sheet are tested at (unless otherwise stated):

- Room temperature (20°C [68°F] ± 3°C [5.5°F]).
- Standard atmosphere (101.3 [29.9 inHg] ± 1.0 kPa [0.3 inHg]).
- Relative humidity 20-70%.
- Compressed air quality, DIN ISO 8573-1 class 4.

Accessories

0100261 | Fitting 5x1/8" NPSF female, 30–40
0101104 | Suction cup B30-2 Silicone
0101153 | Fitting 1/8" NPSF female, 30–40, with mesh filter
0108077 | Suction cup B30-2 HNBR
0200714 | Fitting G1/8" male, 40, with mesh filter
3150197 | Fitting 1/8" NPSF female, 30–40, PA
3250005 | Fitting 1/8" NPSF female, 30–40
3250086 | Fitting G3/8" male, 30–40, with mesh filter
3250089 | Fitting 3/8" NPT male, with mesh filter
3250093 | Fitting 1/4" NPT male, with mesh filter
3251006 | Fitting 1/8" NPSF female, 30–40, with dual flow control valve
3251007 | Fitting G1/4" male, 30–40, with mesh filter and dual flow control valve
3251008 | Fitting 1/4" NPT male, with dual flow control valve
3251009 | Fitting G3/8" male, 30–40, with mesh and dual flow control valve
3251010 | Fitting 3/8" NPT male, with dual flow control valve
3251011 | Fitting 5x1/8" NPSF female, 30–40, with dual flow control valve
0201148 | Filter D=34, HDPE, 20 pcs

Spare parts

0101103 | Suction cup B30-2 Chloroprene
3250091 | Fitting G1/4" male, 30–40, with mesh filter