

Suction cup BL40-2 Chloroprene, G1/4" male, with mesh filter and dual flow control valve

Article number: 0101529



- Suitable for level adjustment.
- Lifting movement to separate small and thin objects.
- Less suitable when the lifting force is parallel to the surface of the object.

Technical data

Description	Unit	Value
Suction cup shape	-	Multibellows
Application	-	Bag handling
Suction cup design	-	Round
Characteristics	-	Bag handling
Material	-	Chloroprene (CR)
Weight, min.	g	10
Suction cup model	-	BL-2
Volume	cm ³	27
Leakage flow, max.	l/s	0.13
Height	mm	57.4
Outer diameter, min.	mm	40
Outer diameter, actuated	mm	40.3
Fitting size	-	1/4"
Fitting option	-	Dual flow control valve, Filter mesh
Fitting style	-	Male
Fitting type	-	G-thread
Valve restriction	mm	0.9
Suction cup model	-	BL40-2 reinforcement ring
Movement, vertical max.	mm	27
Suction cup model	-	BL40-2
Movement, vertical max.	mm	27
Curve radius, min.	mm	11

Performance - Lifting forces

BL40-2 reinforcement ring	Vertical (N)	Parallel (N)
20 -kPa	11	
60 -kPa	22	
BL40-2		
20 -kPa	11	
60 -kPa	30	

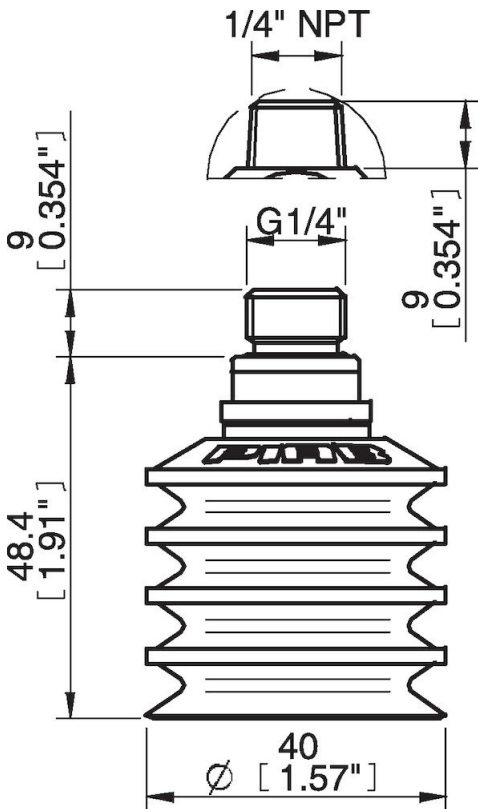
Material

Name	Chloroprene (CR) 65° Shore A
Colour	Black
Temperature, min. °C	-40
Temperature max. °C	110
Hardness °Shore A	65

Material resistance

Alcohol	Good
Concentrated acids	Poor
Ethanol	n/a
Hydrolysis	Good
Methanol	n/a
Oil	Fair
Oxidation	Good
Petrol	Fair
Wear resistance	Excellent
Weather and ozone	Good

Dimensional drawings



Values specified in this data sheet are tested at (unless otherwise stated):

- Room temperature (20°C [68°F] ± 3°C [5.5°F]).
- Standard atmosphere (101.3 [29.9 inHg] ± 1.0 kPa [0.3 inHg]).
- Relative humidity 20-70%.
- Compressed air quality, DIN ISO 8573-1 class 4.

Accessories

0100261 | Fitting 5x1/8" NPSF female, 30–40
0101120 | Suction cup BL40-2 Silicone
0101153 | Fitting 1/8" NPSF female, 30–40, with mesh filter
0200714 | Fitting G1/8" male, 40, with mesh filter
3150197 | Fitting 1/8" NPSF female, 30–40, PA
3250005 | Fitting 1/8" NPSF female, 30–40
3250086 | Fitting G3/8" male, 30–40, with mesh filter
3250089 | Fitting 3/8" NPT male, with mesh filter
3250091 | Fitting G1/4" male, 30–40, with mesh filter
3250093 | Fitting 1/4" NPT male, with mesh filter
3251006 | Fitting 1/8" NPSF female, 30–40, with dual flow control valve
3251008 | Fitting 1/4" NPT male, with dual flow control valve
3251009 | Fitting G3/8" male, 30–40, with mesh and dual flow control valve
3251010 | Fitting 3/8" NPT male, with dual flow control valve
3251011 | Fitting 5x1/8" NPSF female, 30–40, with dual flow control valve
3150073 | Reinforcement ring 40-2

Spare parts

0101119 | Suction cup BL40-2 Chloroprene
3251007 | Fitting G1/4" male, 30–40, with mesh filter and dual flow control valve