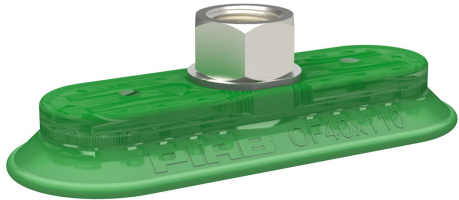


Suction cup OF40x110P Polyurethane 60, 3/8" NPSF female

Article number: 0108265



- Suitable for flat and rough surfaces.
- Fair stability and little inherent movement.
- Recommended when the lifting force is parallel to the surface of the object.
- Cleats prevent thin, sensitive objects from being deformed and give extra friction when the lifting force is parallel to the surface of the object.
- DURAFLEX® are suction cups manufactured in a specially developed material that features the elasticity of rubber and wear resistance of polyurethane. The material does not leave any marks on the objects handled.

Technical data

Description	Unit	Value
Suction cup shape	-	Flat
Application	-	Mark Free
Suction cup design	-	Oval
Characteristics	-	Mark free
Material	-	Polyurethane (PU)
Weight, min.	g	48
Suction cup model	-	OF
Volume	cm ³	21
Height	mm	30.5
Length	mm	113
Outer diameter, min.	mm	113
Fitting size	-	3/8"
Fitting option	-	None
Fitting style	-	Female
Fitting type	-	NPSF-thread
Width	mm	43
Suction cup model	-	OF40x110P PU60
Movement, vertical max.	mm	3.1
Curve radius, min.	mm	77

Performance - Lifting forces

OF40x110P PU60	Vertical (N)	Parallel (N)
20 -kPa	74	98
60 -kPa	200	228
90 -kPa	303	410

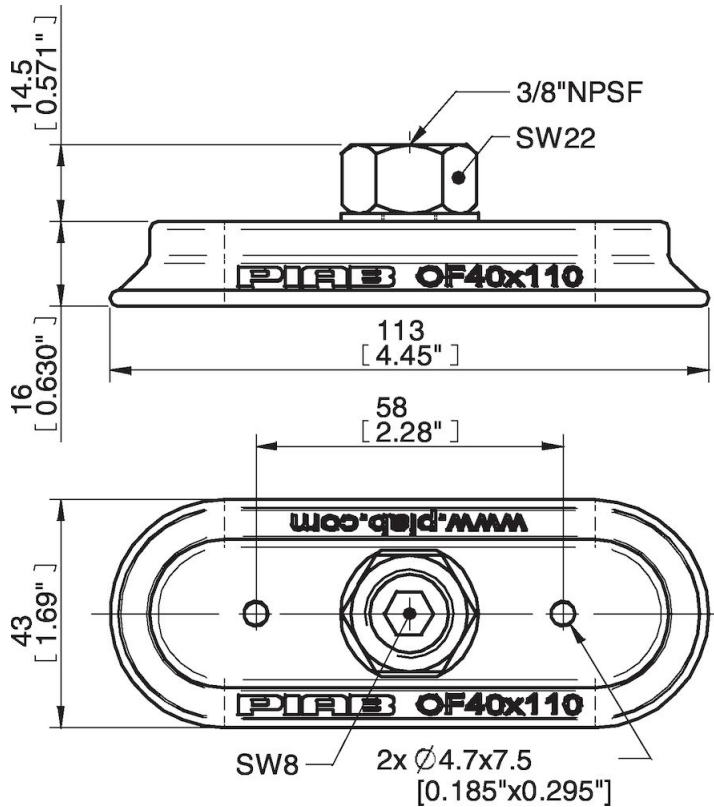
Material

Name	Polyurethane (PU60)
Colour	Green transparent
Temperature, min. °C	10
Temperature max. °C	50
Hardness °Shore A	60

Material resistance

Alcohol	n/a
Concentrated acids	Fair
Ethanol	Fair
Hydrolysis	Fair
Methanol	Poor
Oil	Excellent
Oxidation	Poor
Petrol	Fair
Wear resistance	Excellent
Weather and ozone	Excellent

Dimensional drawings



Values specified in this data sheet are tested at (unless otherwise stated):

- Room temperature (20°C [68°F] ± 3°C [5.5°F]).
- Standard atmosphere (101.3 [29.9 inHg] ± 1.0 kPa [0.3 inHg]).
- Relative humidity 20-70%.
- Compressed air quality, DIN ISO 8573-1 class 4.

Accessories

0109907 | Suction cup OF40x110P Polyurethane 40

Spare parts

0109906 | Suction cup OF40x110P Polyurethane 60