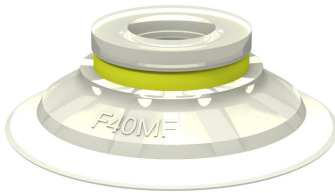


# Suction cup F40MF Thermoelastic polyurethane

Article number: 0101142

- Suction cup of TPU, a mark free material that leaves no trace on the object being handled.
- Suitable for flat surfaces.
- Good stability and little inherent movement.
- Recommended when the lifting force is parallel to the surface of the object.



## Technical data

| Description              | Unit            | Value     |
|--------------------------|-----------------|-----------|
| Suction cup shape        | -               | Flat      |
| Application              | -               | Mark Free |
| Suction cup design       | -               | Round     |
| Characteristics          | -               | Mark free |
| Material                 | -               | TPE       |
| Weight, min.             | g               | 6         |
| Suction cup model        | -               | F-MF      |
| Volume                   | cm <sup>3</sup> | 4.8       |
| Height                   | mm              | 13        |
| Outer diameter, min.     | mm              | 42        |
| Outer diameter, actuated | mm              | 43.7      |
| Fitting size             | -               | None      |
| Fitting option           | -               | None      |
| Fitting style            | -               | None      |
| Fitting type             | -               | None      |
| Suction cup model        | -               | F40MF     |
| Movement, vertical max.  | mm              | 1.8       |
| Curve radius, min.       | mm              | 60        |

## Performance - Lifting forces

| F40MF   | Vertical (N) | Parallel (N) |
|---------|--------------|--------------|
| 20 -kPa | 18           | 16           |
| 60 -kPa | 57           | 49           |
| 90 -kPa | 83           | 57           |

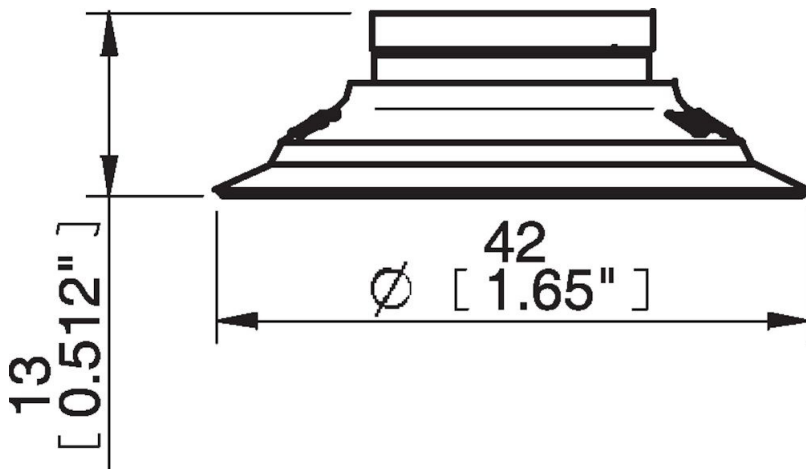
## Material

|                        |                                    |
|------------------------|------------------------------------|
| Name                   | Thermoplastic Polyurethane (TPE-U) |
| Colour                 | White transparent                  |
| Temperature, min.   °C | -20                                |
| Temperature max.   °C  | 80                                 |
| Hardness   °Shore A    | 81                                 |

## Material resistance

|                    |           |
|--------------------|-----------|
| Alcohol            | Good      |
| Concentrated acids | Poor      |
| Ethanol            | n/a       |
| Hydrolysis         | Poor      |
| Methanol           | n/a       |
| Oil                | Excellent |
| Oxidation          | Good      |
| Petrol             | Poor      |
| Wear resistance    | Excellent |
| Weather and ozone  | Excellent |

## Dimensional drawings



Values specified in this data sheet are tested at (unless otherwise stated):

- Room temperature (20°C [68°F] ± 3°C [5.5°F]).
- Standard atmosphere (101.3 [29.9 inHg] ± 1.0 kPa [0.3 inHg]).
- Relative humidity 20-70%.
- Compressed air quality, DIN ISO 8573-1 class 4.

## Accessories

- 0100261 | Fitting 5x1/8" NPSF female, 30–40
- 0101153 | Fitting 1/8" NPSF female, 30–40, with mesh filter
- 3150197 | Fitting 1/8" NPSF female, 30–40, PA
- 3250005 | Fitting 1/8" NPSF female, 30–40
- 3250086 | Fitting G3/8" male, 30–40, with mesh filter
- 3250089 | Fitting 3/8" NPT male, with mesh filter
- 3250091 | Fitting G1/4" male, 30–40, with mesh filter
- 3250093 | Fitting 1/4" NPT male, with mesh filter
- 3251006 | Fitting 1/8" NPSF female, 30–40, with dual flow control valve
- 3251007 | Fitting G1/4" male, 30–40, with mesh filter and dual flow control valve
- 3251008 | Fitting 1/4" NPT male, with dual flow control valve
- 3251009 | Fitting G3/8" male, 30–40, with mesh and dual flow control valve
- 3251010 | Fitting 3/8" NPT male, with dual flow control valve
- 3251011 | Fitting 5x1/8" NPSF female, 30–40, with dual flow control valve