

Suction cup OBF30x60P Polyurethane 60, G3/8" female plastic

Article number: 0207617



- Special designed friction cups for oily surfaces, such as sheets in metal forming processes.
- Normal wear on friction cup will not affect the long term shear force performance.
- Best choice if > 0,1g/m2 press oil is used on the sheet.
- Thanks to the strong grip on oily surfaces, the suction cups can withstand high shear forces, typically 2–4 times more than corresponding conventional suction cups.
- The "OBF" design is suitable for oblong objects with domed and flat surfaces, such as those encountered with body parts in the automotive industry.
- Can handle objects with height differences.
- DURAFLEX® suction cups manufactured in a specially developed material that features the elasticity of rubber and wear resistance of polyurethane. The material does not leave any marks on the objects handled.

Technical data

Description	Unit	Value
Suction cup shape	-	Bellows
Application	-	Oily sheet metal
Suction cup design	-	Oval
Characteristics	-	Oily sheet metal
Material	-	Polyurethane (PU)
Weight, min.	g	19
Suction cup model	-	OBF
Volume	cm ³	9.1
Height	mm	33
Length	mm	60
Fitting size	-	3/8"
Fitting option	-	None
Fitting style	-	Female
Fitting type	-	G-thread
Width	mm	30
Length, actuated	mm	60.5
Width, actuated	mm	30.6
Material	-	PA66
Suction cup model	-	OBF30x60P Dry metal sheet
Movement, vertical max.	mm	7
Curve radius, min.	mm	25
Suction cup model	-	OBF30x60P Oily metal sheet
Movement, vertical max.	mm	7
Curve radius, min.	mm	25

Performance - Lifting forces

	Vertical (N)	Parallel (N)
OBF30x60P Dry metal sheet		
60 -kPa	60	74
90 -kPa	80	99
OBF30x60P Oily metal sheet		
60 -kPa	43	32

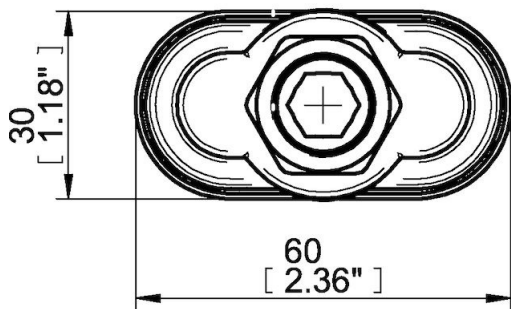
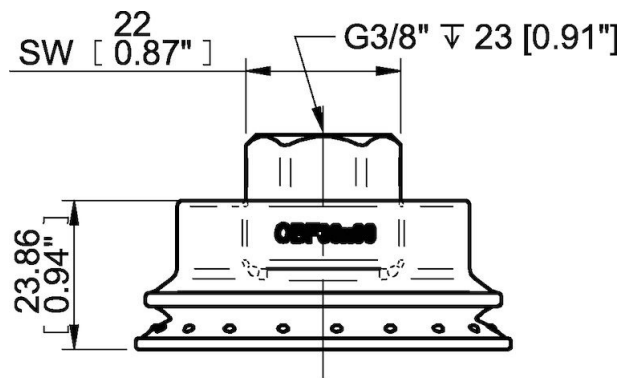
Material

Name	Polyurethane (PU60)
Colour	Orange
Temperature, min. °C	10
Temperature max. °C	50
Hardness °Shore A	60

Material resistance

Alcohol	n/a
Concentrated acids	Fair
Ethanol	Fair
Hydrolysis	Fair
Methanol	Poor
Oil	Excellent
Oxidation	Poor
Petrol	Fair
Wear resistance	Excellent
Weather and ozone	Excellent

Dimensional drawings



Values specified in this data sheet are tested at (unless otherwise stated):

- Room temperature (20°C [68°F] ± 3°C [5.5°F]).
- Standard atmosphere (101.3 [29.9 inHg] ± 1.0 kPa [0.3 inHg]).
- Relative humidity 20-70%.
- Compressed air quality, DIN ISO 8573-1 class 4.