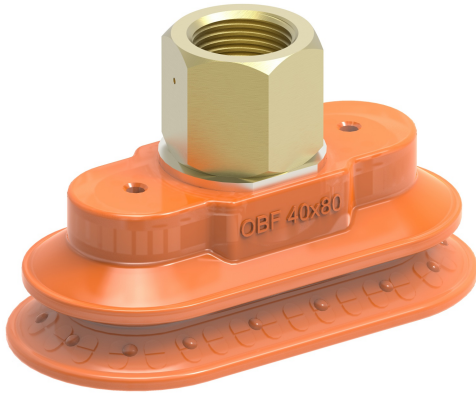


Suction cup OBF40X80P Polyurethane 60, G3/8" female

Article number: 0212792



- Special designed friction cups for oily surfaces, such as sheets in metal forming processes.
- Normal wear on friction cup will not affect the long term shear force performance.
- Best choice if > 0,1g/m2 press oil is used on the sheet.
- Thanks to the strong grip on oily surfaces, the suction cups can withstand high shear forces, typically 2–4 times more than corresponding conventional suction cups.
- The "OBF" design is suitable for oblong objects with domed and flat surfaces, such as those encountered with body parts in the automotive industry.
- Can handle objects with height differences.
- Fitting option, male G3/8", with a swivel function prior to the locking operation, for easy positioning of the oval cup.
- DURAFLEX® suction cups manufactured in a specially developed material that features the elasticity of rubber and wear resistance of polyurethane. The material does not leave any marks on the objects handled.

Technical data

| Description | Unit | Value |
|----------------------------------|-----------------|----------------------------|
| Suction cup shape | - | Bellows |
| Application | - | Oily sheet metal |
| Suction cup design | - | Oval |
| Characteristics | - | Oily sheet metal |
| Material | - | Polyurethane (PU) |
| Weight, min. | g | 62.9 |
| Suction cup model | - | OBF |
| Volume | cm ³ | 22.36 |
| Height (total height) | mm | 39.6 |
| Height 2 (actuated total height) | mm | 31.2 |
| Length | mm | 79.3 |
| Fitting size | - | 3/8" |
| Fitting option | - | None |
| Fitting style | - | Female |
| Fitting type | - | G-thread |
| Width | mm | 40.1 |
| Length, actuated | mm | 80.5 |
| Width, actuated | mm | 39.1 |
| Material | - | Al |
| Suction cup model | - | OBF40x80P Dry metal sheet |
| Movement, vertical max. | mm | 8.4 |
| Curve radius, min. | mm | 55 |
| Suction cup model | - | OBF40x80P Oily steel plate |
| Movement, vertical max. | mm | 8.4 |
| Curve radius, min. | mm | 55 |

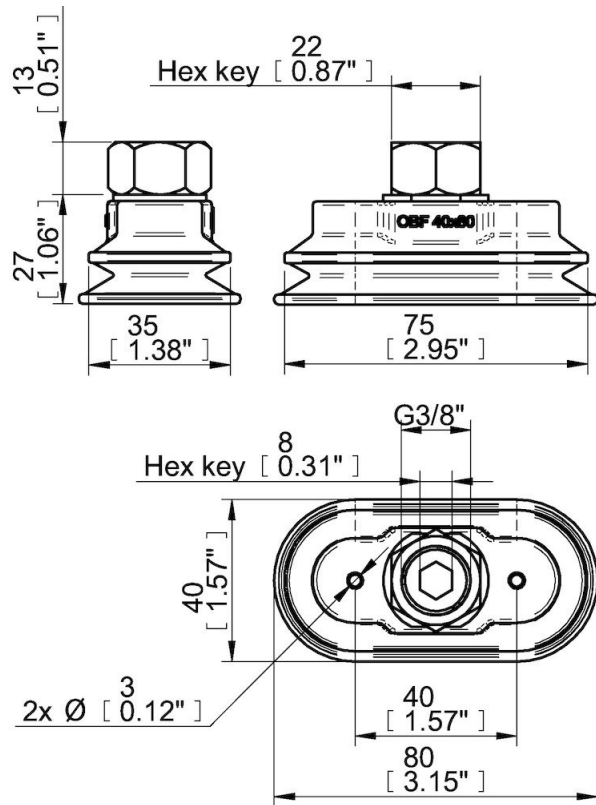
Performance - Lifting forces

| | | |
|----------------------------|--------------|--------------|
| OBF40x80P Dry metal sheet | Vertical (N) | Parallel (N) |
| 60 -kPa | 72 | 44 |
| 90 -kPa | 106 | 54 |
| OBF40x80P Oily steel plate | | |
| 60 -kPa | 72 | 25 |
| 90 -kPa | 102 | 32 |

| | |
|------------------------|---------------------|
| Material | |
| Name | Polyurethane (PU60) |
| Colour | Orange |
| Temperature, min. °C | 10 |
| Temperature max. °C | 50 |
| Hardness °Shore A | 60 |

| | |
|----------------------------|-----------|
| Material resistance | |
| Alcohol | n/a |
| Concentrated acids | Fair |
| Ethanol | Fair |
| Hydrolysis | Fair |
| Methanol | Poor |
| Oil | Excellent |
| Oxidation | Poor |
| Petrol | Fair |
| Wear resistance | Excellent |
| Weather and ozone | Excellent |

Dimensional drawings



Values specified in this data sheet are tested at (unless otherwise stated):

- Room temperature (20°C [68°F] ± 3°C [5.5°F]).
- Standard atmosphere (101.3 [29.9 inHg] ± 1.0 kPa [0.3 inHg]).
- Relative humidity 20-70%.
- Compressed air quality, DIN ISO 8573-1 class 4.