

# Suction cup B5 HNBR, M5 male

Article number: 9912093



- Lifting movement to separate small and thin objects.
- Only lightweight objects should be handled when the lifting force is parallel to the surface.
- Suitable for level adjustment.
- Suction cups of conductive silicone and semi-conductive EPDM are suitable for objects with sensitivity to static electricity.

## Technical data

| Description              | Unit            | Value   |
|--------------------------|-----------------|---|
| Suction cup shape        | -               | Bellows   |
| Application              | -               | Dry sheet metal, Electronic / semiconductor, Glass handling, High/low temp cup (plastic), Plastic injection molded parts, Mark Free |
| Suction cup design       | -               | Round   |
| Characteristics          | -               | Dry sheet metal, Electronic / semiconductor, Glass handling, High/low temp cup (plastic), Plastic injection molded parts, Mark free |
| Material                 | -               | HNBR  |
| Weight, min.             | g               | 0.11  |
| Suction cup model        | -               | B   |
| Volume                   | cm <sup>3</sup> | 0.05  |
| Height                   | mm              | 16.7  |
| Outer diameter, min.     | mm              | 5.7   |
| Outer diameter, actuated | mm              | 6.4   |
| Fitting size             | -               | M5  |
| Fitting option           | -               | None  |
| Fitting style            | -               | Male  |
| Fitting type             | -               | M-thread  |
| Suction cup model        | -               | B5  |
| Movement, vertical max.  | mm              | 1.5   |
| Curve radius, min.       | mm              | 1.5   |

## Performance - Lifting forces

| B5      | Vertical (N) | Parallel (N) |
|---------|--------------|--------------|
| 20 -kPa | 0.3          |              |
| 60 -kPa | 0.8          |              |
| 90 -kPa | 1            |              |

## Material

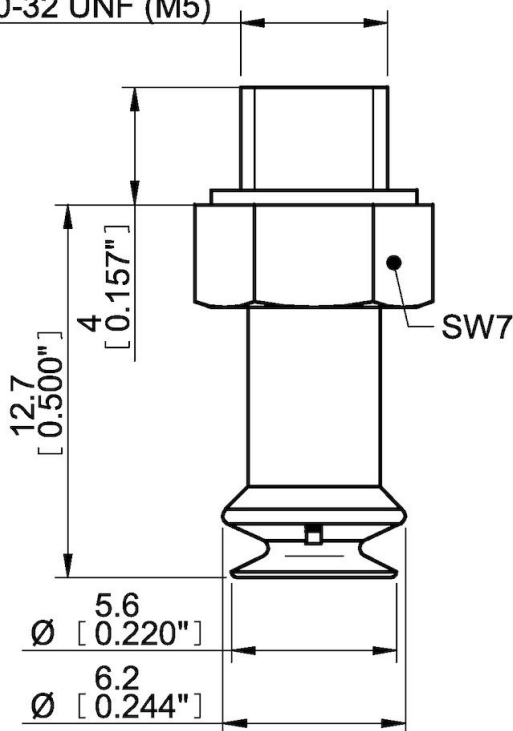
|                        |                  |
|------------------------|------------------|
| Name                   | HNBR 50° Shore A |
| Colour                 | Blue             |
| Temperature, min.   °C | -30              |
| Temperature max.   °C  | 140              |
| Hardness   °Shore A    | 50               |

## Material resistance

|                    |           |
|--------------------|-----------|
| Alcohol            | Good      |
| Concentrated acids | Fair      |
| Ethanol            | n/a       |
| Hydrolysis         | Good      |
| Methanol           | n/a       |
| Oil                | Excellent |
| Oxidation          | Excellent |
| Petrol             | Excellent |
| Wear resistance    | Excellent |
| Weather and ozone  | Excellent |

## Dimensional drawings

### #10-32 UNF (M5)



## Values specified in this data sheet are tested at (unless otherwise stated):

- Room temperature (20°C [68°F] ± 3°C [5.5°F]).
- Standard atmosphere (101.3 [29.9 inHg] ± 1.0 kPa [0.3 inHg]).
- Relative humidity 20-70%.
- Compressed air quality, DIN ISO 8573-1 class 4.

## Accessories

- 0129949 | Suction cup B5 Semi-conductive EPDM
- 3150286 | Suction cup B5 Chloroprene
- 3150286S | Suction cup B5 Silicone
- 3150286SC | Suction cup B5 Conductive silicone

## Spare parts

- 0200893 | Suction cup B5 HNBR
- 3107031 | Fitting M5 male, 5-8