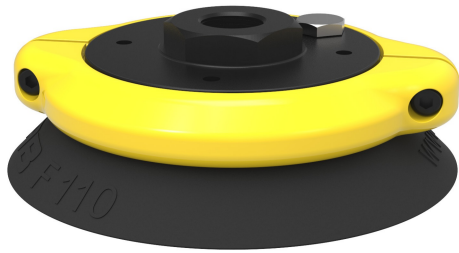


# Suction cup F110 Nitrile-PVC, G3/8" female, with mesh filter

Article number: 0101915



- Suitable for flat objects.
- Good stability and little inherent movement.
- Recommended when the lifting force is parallel to the surface of the object.
- Cleats prevent thin, sensitive objects from being deformed and gives extra friction when the lifting force is parallel.

## Technical data

Description	Unit	Value
Suction cup shape	-	Flat
Application	-	Dry sheet metal
Suction cup design	-	Round
Characteristics	-	Dry sheet metal
Material	-	Nitrile-PVC (NPV)
Weight, min.	g	66
Suction cup model	-	F
Volume	cm <sup>3</sup>	70
Height	mm	36.2
Outer diameter, min.	mm	112
Outer diameter, actuated	mm	115.3
Fitting size	-	3/8"
Fitting option	-	Filter mesh
Fitting style	-	Female
Fitting type	-	G-thread
Suction cup model	-	F110
Movement, vertical max.	mm	4
Curve radius, min.	mm	250

## Performance - Lifting forces

F110	Vertical (N)	Parallel (N)
20 -kPa	140	140
60 -kPa	420	250
90 -kPa	560	300

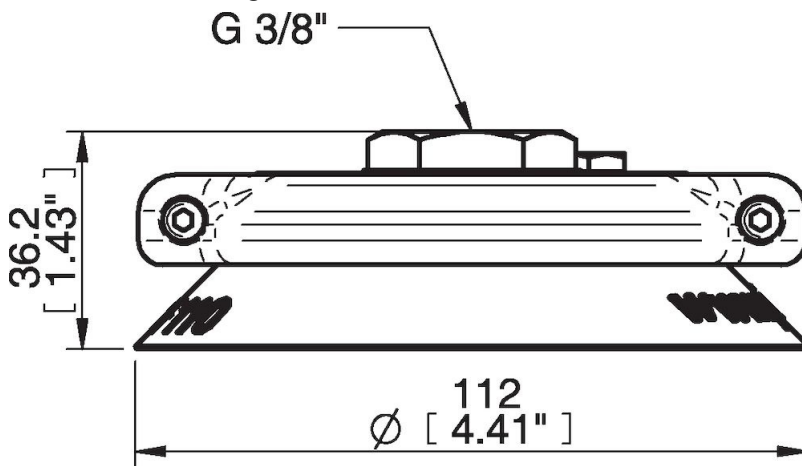
## Material

Name	Nitrile-PVC (NPV)
Colour	Black
Temperature, min.   °C	0
Temperature max.   °C	90
Hardness   °Shore A	50

## Material resistance

Alcohol	Good
Concentrated acids	Fair
Ethanol	n/a
Hydrolysis	Good
Methanol	n/a
Oil	Excellent
Oxidation	Good
Petrol	Excellent
Wear resistance	Excellent
Weather and ozone	Good

## Dimensional drawings



## Values specified in this data sheet are tested at (unless otherwise stated):

- Room temperature (20°C [68°F] ± 3°C [5.5°F]).
- Standard atmosphere (101.3 [29.9 inHg] ± 1.0 kPa [0.3 inHg]).
- Relative humidity 20-70%.
- Compressed air quality, DIN ISO 8573-1 class 4.

## Accessories

- 0100559 | Fitting 110, 3/8" NPSF female, with mesh filter
- 0100561 | Fitting 110, G1/2" female, with mesh filter
- 0100563 | Fitting 110, G1/2" female, with cone valve
- 3150038P | Suction cup F110 Nitrile-PVC with washer
- 3150038S | Suction cup F110 Silicone with washer
- 3150038T | Suction cup F110 HNBR with washer
- 3150132S | Suction cup F110 Silicone
- 3150132T | Suction cup F110 HNBR
- 3250007 | Fitting G1/2" female Al, with mesh filter

## Spare parts

- 0100557 | Fitting 110 G3/8" female, with mesh filter
- 3150132P | Suction cup F110 Nitrile-PVC