

Suction cup F50-2 Silicone, G3/8" male, with mesh filter

Article number: 0101750



- Suitable for flat objects.
- Good stability and little inherent movement.
- Recommended when the lifting force is parallel to the surface of the object.
- Cleats prevent thin, sensitive objects from being deformed and gives extra friction when the lifting force is parallel.

Technical data

Description	Unit	Value
Suction cup shape	-	Flat
Application	-	Dry sheet metal
Suction cup design	-	Round
Characteristics	-	Dry sheet metal
Material	-	Silicone (SIL)
Weight, min.	g	14
Suction cup model	-	F
Volume	cm ³	10
Height	mm	33.5
Outer diameter, min.	mm	53
Outer diameter, actuated	mm	54.6
Fitting size	-	3/8"
Fitting option	-	Filter mesh
Fitting style	-	Male
Fitting type	-	G-thread
Suction cup model	-	F50-2
Movement, vertical max.	mm	2.2
Curve radius, min.	mm	55

Performance - Lifting forces

F50-2	Vertical (N)	Parallel (N)
20 -kPa	36	24
60 -kPa	74	40
90 -kPa	96	50

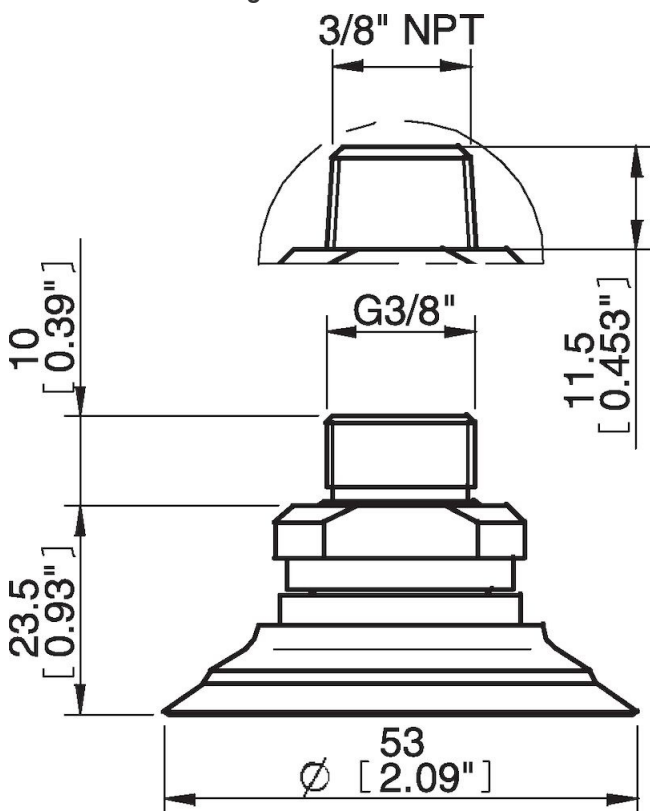
Material

Name	Silicone, SIL 50° Shore A
Colour	Red
Temperature, min. °C	-40
Temperature max. °C	200
Hardness °Shore A	50

Material resistance

Alcohol	Good
Concentrated acids	Poor
Ethanol	n/a
Hydrolysis	Fair
Methanol	n/a
Oil	Poor
Oxidation	Excellent
Petrol	Poor
Wear resistance	Good
Weather and ozone	Excellent

Dimensional drawings



Values specified in this data sheet are tested at (unless otherwise stated):

- Room temperature (20°C [68°F] ± 3°C [5.5°F]).
- Standard atmosphere (101.3 [29.9 inHg] ± 1.0 kPa [0.3 inHg]).
- Relative humidity 20-70%.
- Compressed air quality, DIN ISO 8573-1 class 4.

Accessories

0100262 | Fitting 5x1/8" NPSF female, 50
0101137 | Suction cup F50-2 Nitrile-PVC
0101154 | Fitting 1/8" NPSF female, 50, with mesh filter
0101157 | Fitting 1/8" NPSF female, 50, with cone valve
0108166 | Suction cup F50-2 HNBR
3150198 | Fitting 1/8" NPSF female, 50, PA
3250017 | Fitting 1/8" NPSF female, 50
3250090 | Fitting 3/8" NPT male, with mesh filter
3250092 | Fitting G1/4" male, 50, with mesh filter
3250094 | Fitting 1/4" NPT male, with mesh filter
3251012 | Fitting 1/8" NPSF female, 50, with dual flow control valve
3251013 | Fitting G1/4" male, with mesh filter and dual flow control valve
3251014 | Fitting 1/4" NPT male, with dual flow control valve
3251015 | Fitting G3/8" male, 50, with mesh filter and dual flow control valve
3251016 | Fitting 3/8" NPT male, with dual flow control valve
3251017 | Fitting 5x1/8" NPSF female, 50, with dual flow control valve
3150241P | Suction cup F50-2 Nitrile-PVC, for fitting with cone valve
3150241S | Suction cup F50-2 Silicone, for fitting with cone valve

Spare parts

0101138 | Suction cup F50-2 Silicone
3150057 | Cone valve for F50-2
3250087 | Fitting G3/8" male, 50, with mesh filter