

Suction cup F40-2 Nitrile-PVC, 1/8" NPSF female, with dual flow control valve

Article number: 0101573



- Suitable for flat objects.
- Good stability and little inherent movement.
- Recommended when the lifting force is parallel to the surface of the object.
- Cleats prevent thin, sensitive objects from being deformed and gives extra friction when the lifting force is parallel.

Technical data

| Description | Unit | Value |
|--------------------------|-----------------|-------------------------|
| Suction cup shape | - | Flat |
| Application | - | Dry sheet metal |
| Suction cup design | - | Round |
| Characteristics | - | Dry sheet metal |
| Material | - | Nitrile-PVC (NPV) |
| Weight, min. | g | 5.5 |
| Suction cup model | - | F |
| Volume | cm ³ | 4.8 |
| Leakage flow, max. | l/s | 0.13 |
| Height | mm | 21 |
| Outer diameter, min. | mm | 42 |
| Outer diameter, actuated | mm | 43.7 |
| Fitting size | - | 1/8" |
| Fitting option | - | Dual flow control valve |
| Fitting style | - | Female |
| Fitting type | - | NPSF-thread |
| Valve restriction | mm | 0.9 |
| Suction cup model | - | F40-2 |
| Movement, vertical max. | mm | 1.8 |
| Curve radius, min. | mm | 52 |

Performance - Lifting forces

| F40-2 | Vertical (N) | Parallel (N) |
|---------|--------------|--------------|
| 20 -kPa | 20 | 15 |
| 60 -kPa | 40 | 25 |
| 90 -kPa | 50 | 30 |

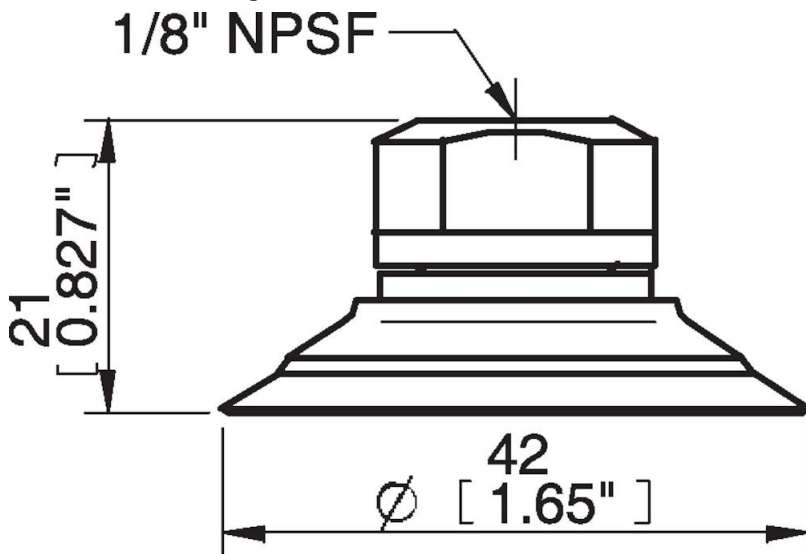
Material

| | |
|------------------------|-------------------|
| Name | Nitrile-PVC (NPV) |
| Colour | Black |
| Temperature, min. °C | 0 |
| Temperature max. °C | 90 |
| Hardness °Shore A | 50 |

Material resistance

| | |
|--------------------|-----------|
| Alcohol | Good |
| Concentrated acids | Fair |
| Ethanol | n/a |
| Hydrolysis | Good |
| Methanol | n/a |
| Oil | Excellent |
| Oxidation | Good |
| Petrol | Excellent |
| Wear resistance | Excellent |
| Weather and ozone | Good |

Dimensional drawings



Values specified in this data sheet are tested at (unless otherwise stated):

- Room temperature (20°C [68°F] ± 3°C [5.5°F]).
- Standard atmosphere (101.3 [29.9 inHg] ± 1.0 kPa [0.3 inHg]).
- Relative humidity 20-70%.
- Compressed air quality, DIN ISO 8573-1 class 4.

Accessories

- 0100261 | Fitting 5x1/8" NPSF female, 30–40
- 0101136 | Suction cup F40-2 Silicone
- 0101153 | Fitting 1/8" NPSF female, 30–40, with mesh filter
- 0101156 | Fitting 1/8" NPSF female, 30–40, with cone valve
- 3150197 | Fitting 1/8" NPSF female, 30–40, PA
- 3250005 | Fitting 1/8" NPSF female, 30–40
- 3250086 | Fitting G3/8" male, 30–40, with mesh filter
- 3250089 | Fitting 3/8" NPT male, with mesh filter
- 3250091 | Fitting G1/4" male, 30–40, with mesh filter
- 3250093 | Fitting 1/4" NPT male, with mesh filter
- 3251007 | Fitting G1/4" male, 30–40, with mesh filter and dual flow control valve
- 3251008 | Fitting 1/4" NPT male, with dual flow control valve
- 3251009 | Fitting G3/8" male, 30–40, with mesh and dual flow control valve
- 3251010 | Fitting 3/8" NPT male, with dual flow control valve
- 3251011 | Fitting 5x1/8" NPSF female, 30–40, with dual flow control valve

Spare parts

- 0101135 | Suction cup F40-2 Nitrile-PVC
- 3251006 | Fitting 1/8" NPSF female, 30–40, with dual flow control valve