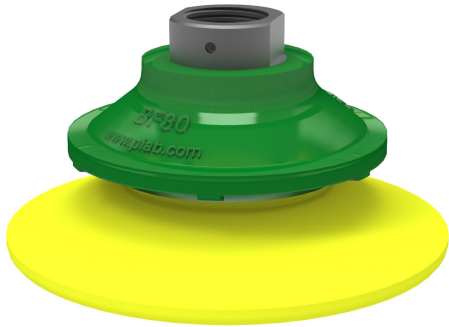


# Suction cup BF80P Polyurethane 30/50, 3/8" NPSF female

Article number: 0102371



- Suitable for uneven surfaces.
- In the two-coloured suction cup the bellows and the sealing lip are of different hardnesses, which makes the suction cup strong and stable and, at the same time, soft and flexible.
- DURAFLEX® suction cups manufactured in a specially developed material that features the elasticity of rubber and wear resistance of polyurethane.
- The material of the DURAFLEX® is mark free.

## Technical data

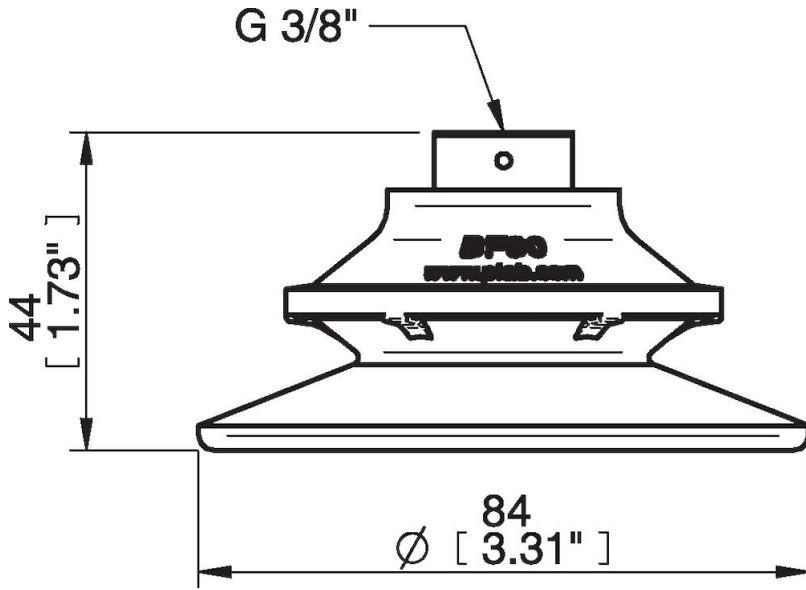
Description	Unit	Value
Suction cup shape	-	Bellows
Application	-	Dry sheet metal, Mark Free
Suction cup design	-	Round
Characteristics	-	Dry sheet metal, Mark free
Material	-	Polyurethane (PU)
Weight, min.	g	53
Suction cup model	-	BF-P
Volume	cm <sup>3</sup>	40
Height	mm	44
Outer diameter, min.	mm	83.1
Outer diameter, actuated	mm	61.6
Fitting size	-	3/8"
Fitting option	-	None
Fitting style	-	Female
Fitting type	-	NPSF-thread
Suction cup model	-	BF80P PU30 PU50
Movement, vertical max.	mm	15.6
Curve radius, min.	mm	50

## Performance - Lifting forces

BF80P PU30 PU50	Vertical (N)	Parallel (N)
20 -kPa	73	54
60 -kPa	157	88
90 -kPa	196	117

<b>Material</b>		
Name	Polyurethane (PU30)	Polyurethane (PU50)
Colour	Yellow	Blue transparent
Temperature, min.   °C	10	10
Temperature max.   °C	50	50
Hardness   °Shore A	30	50
<b>Material resistance</b>		
Alcohol	n/a	n/a
Concentrated acids	Fair	Fair
Ethanol	Fair	Fair
Hydrolysis	Fair	Fair
Methanol	Poor	Poor
Oil	Excellent	Excellent
Oxidation	Poor	Poor
Petrol	Fair	Fair
Wear resistance	Excellent	Excellent
Weather and ozone	Excellent	Excellent

**Dimensional drawings**



**Values specified in this data sheet are tested at (unless otherwise stated):**

- Room temperature (20°C [68°F] ± 3°C [5.5°F]).
- Standard atmosphere (101.3 [29.9 inHg] ± 1.0 kPa [0.3 inHg]).
- Relative humidity 20-70%.
- Compressed air quality, DIN ISO 8573-1 class 4.