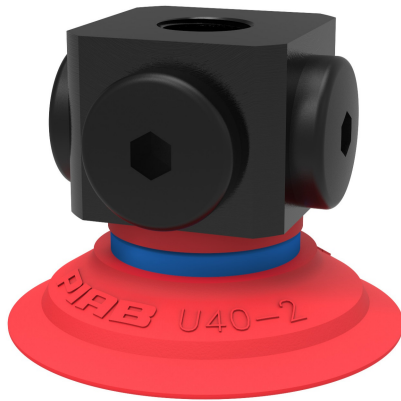


Suction cup U40-2 Silicone, 5x1/8" NPSF female

Article number: 0101609



- Suitable for objects with flat or slightly curved surfaces.
- Also used for concave objects.

Technical data

Description	Unit	Value
Suction cup shape	-	Universal
Application	-	Plastic injection molded parts
Suction cup design	-	Round
Characteristics	-	Plastic injection molded parts
Material	-	Silicone (SIL)
Weight, min.	g	4
Suction cup model	-	U
Volume	cm ³	5.5
Height	mm	31
Outer diameter, min.	mm	41
Fitting size	-	5x1/8"
Fitting option	-	None
Fitting style	-	Female
Fitting type	-	NPSF-thread
Suction cup model	-	U40-2
Movement, vertical max.	mm	4.5
Curve radius, min.	mm	30

Performance - Lifting forces

U40-2	Vertical (N)	Parallel (N)
20 -kPa	20	14
60 -kPa	39	22
90 -kPa	49	27

Material

Name	Silicone, SIL 50° Shore A
Colour	Red
Temperature, min. °C	-40
Temperature max. °C	200
Hardness °Shore A	50

Material resistance

Alcohol	Good
Concentrated acids	Poor
Ethanol	n/a
Hydrolysis	Fair
Methanol	n/a
Oil	Poor
Oxidation	Excellent
Petrol	Poor
Wear resistance	Good

Material and ozone

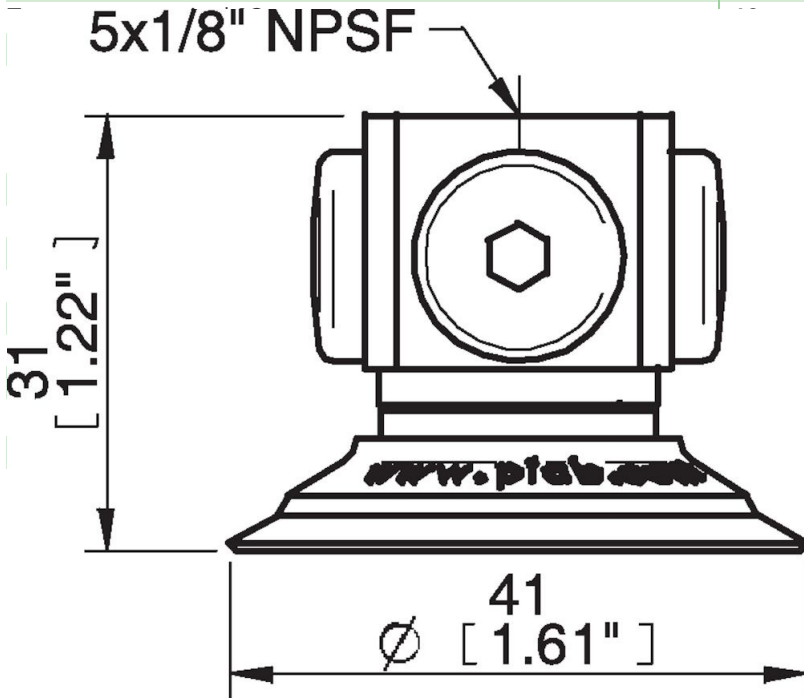
Excellent

Name

Silicone, SIL 50° Shore A

Dimensional drawings

Red



nt

nt

Values specified in this data sheet are tested at (unless otherwise stated):

- Room temperature (20°C [68°F] ± 3°C [5.5°F]).
- Standard atmosphere (101.3 [29.9 inHg] ± 1.0 kPa [0.3 inHg]).
- Relative humidity 20-70%.
- Compressed air quality, DIN ISO 8573-1 class 4.

Accessories

- 0101148 | Suction cup U40-2 Nitrile-PVC
- 0101153 | Fitting 1/8" NPSF female, 30–40, with mesh filter
- 0200714 | Fitting G1/8" male, 40, with mesh filter
- 3150197 | Fitting 1/8" NPSF female, 30–40, PA
- 3250005 | Fitting 1/8" NPSF female, 30–40
- 3250086 | Fitting G3/8" male, 30–40, with mesh filter
- 3250089 | Fitting 3/8" NPT male, with mesh filter
- 3250091 | Fitting G1/4" male, 30–40, with mesh filter
- 3250093 | Fitting 1/4" NPT male, with mesh filter
- 3251006 | Fitting 1/8" NPSF female, 30–40, with dual flow control valve
- 3251007 | Fitting G1/4" male, 30–40, with mesh filter and dual flow control valve
- 3251008 | Fitting 1/4" NPT male, with dual flow control valve
- 3251009 | Fitting G3/8" male, 30–40, with mesh and dual flow control valve
- 3251010 | Fitting 3/8" NPT male, with dual flow control valve
- 3251011 | Fitting 5x1/8" NPSF female, 30–40, with dual flow control valve

Spare parts

- 0100261 | Fitting 5x1/8" NPSF female, 30–40
- 0101149 | Suction cup U40-2 Silicone