

# Suction cup OBF40X80P Polyurethane 60, G3/8" male, with mesh filter

Article number: 0211404



- Special designed friction cups for oily surfaces, such as sheets in metal forming processes.
- Normal wear on friction cup will not affect the long term shear force performance.
- Best choice if > 0,1g/m2 press oil is used on the sheet.
- Thanks to the strong grip on oily surfaces, the suction cups can withstand high shear forces, typically 2–4 times more than corresponding conventional suction cups.
- The "OBF" design is suitable for oblong objects with domed and flat surfaces, such as those encountered with body parts in the automotive industry.
- Can handle objects with height differences.
- Fitting option, male G3/8", with a swivel function prior to the locking operation, for easy positioning of the oval cup.
- DURAFLEX® suction cups manufactured in a specially developed material that features the elasticity of rubber and wear resistance of polyurethane. The material does not leave any marks on the objects handled.

## Technical data

| Description                      | Unit            | Value                      |
|----------------------------------|-----------------|----------------------------|
| Suction cup shape                | -               | Bellows                    |
| Application                      | -               | Oily sheet metal           |
| Suction cup design               | -               | Oval                       |
| Characteristics                  | -               | Oily sheet metal           |
| Material                         | -               | Polyurethane (PU)          |
| Weight, min.                     | g               | 46                         |
| Suction cup model                | -               | OBF                        |
| Volume                           | cm <sup>3</sup> | 22.36                      |
| Height (total height)            | mm              | 26.6                       |
| Height 2 (actuated total height) | mm              | 18.2                       |
| Length                           | mm              | 79.3                       |
| Fitting size                     | -               | 3/8"                       |
| Fitting option                   | -               | Filter mesh                |
| Fitting style                    | -               | Male                       |
| Fitting type                     | -               | G-thread                   |
| Width                            | mm              | 40.1                       |
| Length, actuated                 | mm              | 80.5                       |
| Width, actuated                  | mm              | 39.1                       |
| Material                         | -               | Al                         |
| Suction cup model                | -               | OBF40x80P Dry metal sheet  |
| Movement, vertical max.          | mm              | 8.4                        |
| Curve radius, min.               | mm              | 55                         |
| Suction cup model                | -               | OBF40x80P Oily steel plate |
| Movement, vertical max.          | mm              | 8.4                        |
| Curve radius, min.               | mm              | 55                         |

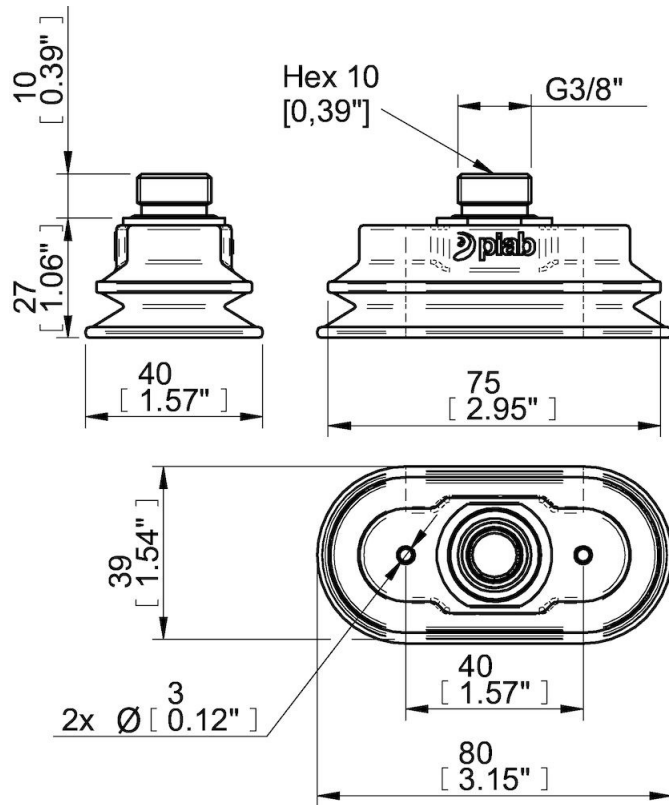
## Performance - Lifting forces

|                            |              |              |
|----------------------------|--------------|--------------|
| OBF40x80P Dry metal sheet  | Vertical (N) | Parallel (N) |
| 60 -kPa                    | 72           | 44           |
| 90 -kPa                    | 106          | 54           |
| OBF40x80P Oily steel plate |              |              |
| 60 -kPa                    | 72           | 25           |
| 90 -kPa                    | 102          | 32           |

|                        |                     |
|------------------------|---------------------|
| <b>Material</b>        |                     |
| Name                   | Polyurethane (PU60) |
| Colour                 | Orange              |
| Temperature, min.   °C | 10                  |
| Temperature max.   °C  | 50                  |
| Hardness   °Shore A    | 60                  |

|                            |           |
|----------------------------|-----------|
| <b>Material resistance</b> |           |
| Alcohol                    | n/a       |
| Concentrated acids         | Fair      |
| Ethanol                    | Fair      |
| Hydrolysis                 | Fair      |
| Methanol                   | Poor      |
| Oil                        | Excellent |
| Oxidation                  | Poor      |
| Petrol                     | Fair      |
| Wear resistance            | Excellent |
| Weather and ozone          | Excellent |

### Dimensional drawings



### Values specified in this data sheet are tested at (unless otherwise stated):

- Room temperature (20°C [68°F] ± 3°C [5.5°F]).
- Standard atmosphere (101.3 [29.9 inHg] ± 1.0 kPa [0.3 inHg]).
- Relative humidity 20-70%.
- Compressed air quality, DIN ISO 8573-1 class 4.