

Suction cup F15MF Thermoelastic polyurethane, M5 male

Article number: 3250074



- Suction cup of TPU, a mark free material that leaves no trace on the object being handled.
- Suitable for flat surfaces.
- Good stability and little inherent movement.
- Recommended when the lifting force is parallel to the surface of the object.

Technical data

Description	Unit	Value
Suction cup shape	-	Flat
Application	-	Mark Free
Suction cup design	-	Round
Characteristics	-	Mark free
Material	-	TPE
Weight, min.	g	0.8
Suction cup model	-	F-MF
Volume	cm ³	0.37
Height	mm	19.5
Outer diameter, min.	mm	16.5
Fitting size	-	M5
Fitting option	-	None
Fitting style	-	Male
Fitting type	-	M-thread
Suction cup model	-	F15MF
Movement, vertical max.	mm	1
Curve radius, min.	mm	17

Performance - Lifting forces

F15MF	Vertical (N)	Parallel (N)
20 -kPa	4	4.5
60 -kPa	8	9
90 -kPa	12	14.5

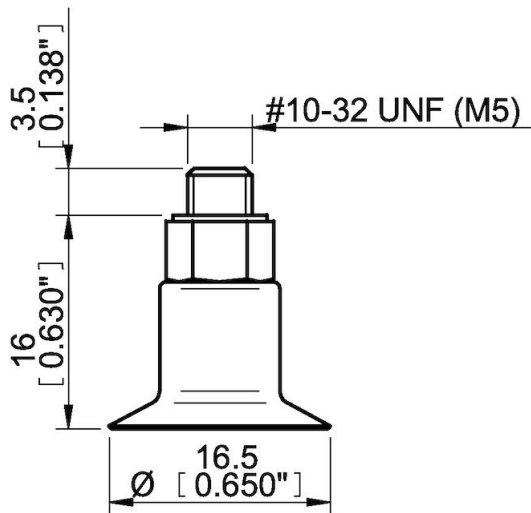
Material

Name	Thermoplastic Polyurethane (TPE-U)
Colour	White transparent
Temperature, min. °C	-20
Temperature max. °C	80
Hardness °Shore A	81

Material resistance

Alcohol	Good
Concentrated acids	Poor
Ethanol	n/a
Hydrolysis	Poor
Methanol	n/a
Oil	Excellent
Oxidation	Good
Petrol	Poor
Wear resistance	Excellent
Weather and ozone	Excellent

Dimensional drawings



Values specified in this data sheet are tested at (unless otherwise stated):

- Room temperature (20°C [68°F] ± 3°C [5.5°F]).
- Standard atmosphere (101.3 [29.9 inHg] ± 1.0 kPa [0.3 inHg]).
- Relative humidity 20-70%.
- Compressed air quality, DIN ISO 8573-1 class 4.

Spare parts

3107030 | Fitting M5 male, 10-15

3150269 | Suction cup F15MF Thermoelastic polyurethane