

Suction cup B20 HNBR, G1/8" male/M5 female, with dual flow control valve

Article number: 9906881



- Suitable for level adjustment. Several short bellows in one lifting device can handle objects with height differences and varying shapes, for example embossed or corrugated plates.
- The lifting movement can be used to separate small and thin objects.
- Only lightweight objects should be handled when the lifting force is parallel to the surface of the object, in order to achieve good precision and safe lifting movement.

Technical data

Description	Unit	Value
Suction cup shape	-	Bellows
Application	-	Dry sheet metal, Glass handling, High/low temp cup (plastic), Plastic injection molded parts, Mark Free
Suction cup design	-	Round
Characteristics	-	Dry sheet metal, Glass handling, High/low temp cup (plastic), Plastic injection molded parts, Mark free
Material	-	HNBR
Weight, min.	g	3.2
Suction cup model	-	B
Volume	cm ³	2.7
Leakage flow, max.	NI/s	0.06
Height	mm	26.5
Outer diameter, min.	mm	22
Outer diameter, actuated	mm	26
Fitting size	-	1/8", M5
Fitting option	-	Dual flow control valve
Fitting style	-	Female/Male
Fitting type	-	G-thread, M-thread
Valve restriction	mm	0.7
Restricted vacuum flow	NI/s	0.7
Suction cup model	-	B20
Movement, vertical max.	mm	10
Curve radius, min.	mm	10

Performance - Lifting forces

B20	Vertical (N)	Parallel (N)
20 -kPa	5.9	2.9
60 -kPa	9.8	5.4
90 -kPa	14	8.22

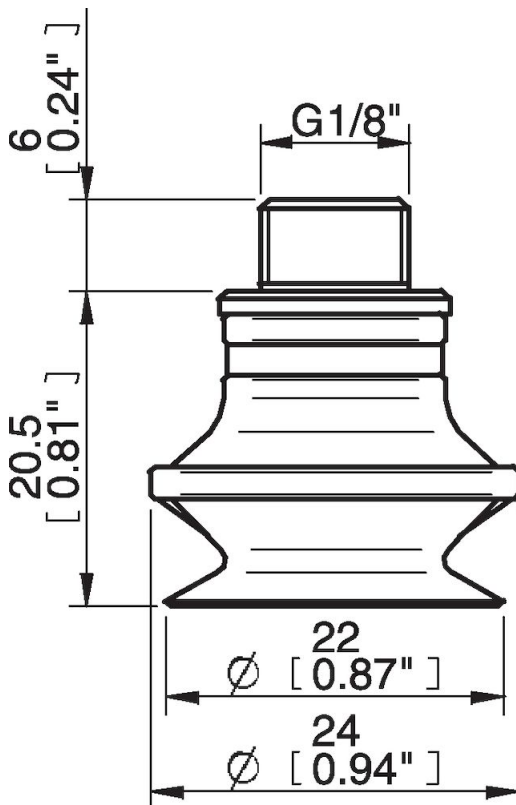
Material

Name	HNBR 50° Shore A
Colour	Blue
Temperature, min. °C	-30
Temperature max. °C	140
Hardness °Shore A	50

Material resistance

Alcohol	Good
Concentrated acids	Fair
Ethanol	n/a
Hydrolysis	Good
Methanol	n/a
Oil	Excellent
Oxidation	Excellent
Petrol	Excellent
Wear resistance	Excellent
Weather and ozone	Excellent

Dimensional drawings



Values specified in this data sheet are tested at (unless otherwise stated):

- Room temperature (20°C [68°F] ± 3°C [5.5°F]).
- Standard atmosphere (101.3 [29.9 inHg] ± 1.0 kPa [0.3 inHg]).
- Relative humidity 20-70%.
- Compressed air quality, DIN ISO 8573-1 class 4.

Accessories

- 0100260 | Fitting 5xM5 female
- 0101102 | Suction cup B20 Silicone
- 0101152 | Fitting G1/8" male/M5 female, with mesh filter
- 3150196 | Fitting G1/8" male/M5 female, PA
- 3250003 | Fitting M5 female
- 3250004 | Fitting G1/8" male/M5 female
- 3250085 | Fitting G1/8" male, with mesh filter
- 3250088 | Fitting 1/8" NPT male, with mesh filter
- 3251001 | Fitting M5 female, with dual flow control valve
- 3251003 | Fitting 1/8" NPT male, with dual flow control valve
- 3251005 | Fitting 5xM5 female, with dual flow control valve

Spare parts

0128712 | Suction cup B20 HNBR

3251004 | Fitting G1/8" male/M5 female, with dual flow control valve