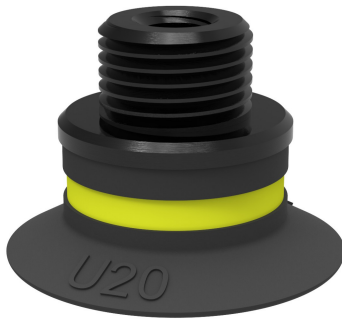


Suction cup U20 Chloroprene, G1/8" male/M5 female, with dual flow control valve

Article number: 0101382

- Suitable for objects with flat or slightly curved surfaces.
- Also used for concave objects.



Technical data

Description	Unit	Value
Suction cup shape	-	Universal
Application	-	Glass handling
Suction cup design	-	Round
Characteristics	-	Glass handling
Material	-	Chloroprene (CR)
Weight, min.	g	1.2
Suction cup model	-	U
Volume	cm ³	1
Leakage flow, max.	l/s	0.06
Height	mm	15.5
Outer diameter, min.	mm	22
Fitting size	-	1/8", M5
Fitting option	-	Dual flow control valve
Fitting style	-	Female/Male
Fitting type	-	G-thread, M-thread
Valve restriction	mm	0.7
Restricted vacuum flow	l/s	0.7
Suction cup model	-	U20
Movement, vertical max.	mm	2.5
Curve radius, min.	mm	13

Performance - Lifting forces

U20	Vertical (N)	Parallel (N)
20 -kPa	5.9	5.9
60 -kPa	12	8.8
90 -kPa	16	9.8

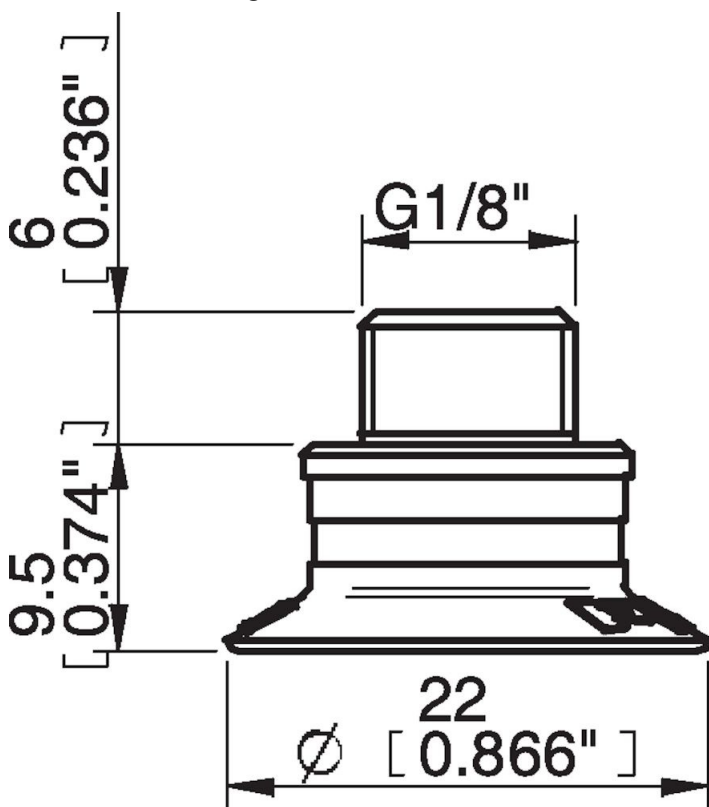
Material

Name	Chloroprene (CR) 50° Shore A
Colour	Black
Temperature, min. °C	-40
Temperature max. °C	110
Hardness °Shore A	50

Material resistance

Alcohol	Good
Concentrated acids	Poor
Ethanol	n/a
Hydrolysis	Good
Methanol	n/a
Oil	Fair
Oxidation	Good
Petrol	Fair
Wear resistance	Excellent
Weather and ozone	Good

Dimensional drawings



Values specified in this data sheet are tested at (unless otherwise stated):

- Room temperature (20°C [68°F] ± 3°C [5.5°F]).
- Standard atmosphere (101.3 [29.9 inHg] ± 1.0 kPa [0.3 inHg]).
- Relative humidity 20-70%.
- Compressed air quality, DIN ISO 8573-1 class 4.

Accessories

- 0100260 | Fitting 5xM5 female
- 0101145 | Suction cup U20 Silicone
- 0101152 | Fitting G1/8" male/M5 female, with mesh filter
- 0128711 | Suction cup U20 HNBR
- 3150196 | Fitting G1/8" male/M5 female, PA
- 3250003 | Fitting M5 female
- 3250004 | Fitting G1/8" male/M5 female
- 3250085 | Fitting G1/8" male, with mesh filter
- 3250088 | Fitting 1/8" NPT male, with mesh filter
- 3251001 | Fitting M5 female, with dual flow control valve
- 3251003 | Fitting 1/8" NPT male, with dual flow control valve
- 3251005 | Fitting 5xM5 female, with dual flow control valve

Spare parts

0101144 | Suction cup U20 Chloroprene

3251004 | Fitting G1/8" male/M5 female, with dual flow control valve