

# Suction cup DCF90P Polyurethane 60, G3/8" male, 1/8" NPSF female, with mesh filter

Article number: 0206541



- Special designed friction cups for domed or flat oily surfaces, such as sheets in metal forming processes.
- Long lasting material, normal wear on friction cup will not affect the long term shear force performance.
- Best choice if > 0.1g/m<sup>2</sup> press oil is used on the sheet but also a great choice for dry metal sheets.
- Refined internal friction pattern provides additional grip performance, the suction cups can withstand high shear forces, typically 3–5 times more than corresponding conventional suction cups.
- Thin design that easily will follow convex or concave surfaces. The thin and pliable design in combination with a special inner friction pattern will maximize grip performance.
- DURAFLEX® suction cups manufactured in a specially developed material that features the elasticity of rubber and wear resistance of polyurethane. The material does not leave any marks on the objects handled and has a fantastic elastic memory, even after hundreds of thousands of cycles.

## Technical data

| Description              | Unit            | Value                   |
|--------------------------|-----------------|-------------------------|
| Suction cup shape        | -               | Deep Concave            |
| Application              | -               | Oily sheet metal        |
| Suction cup design       | -               | Round                   |
| Characteristics          | -               | Oily sheet metal        |
| Material                 | -               | Polyurethane (PU)       |
| Weight, min.             | g               | 69.2                    |
| Suction cup model        | -               | DCF                     |
| Volume                   | cm <sup>3</sup> | 57.5                    |
| Height                   | mm              | 32.2                    |
| Outer diameter, min.     | mm              | 92.5                    |
| Outer diameter, actuated | mm              | 98.4                    |
| Fitting size             | -               | 1/8", 3/8"              |
| Fitting option           | -               | Filter mesh             |
| Fitting style            | -               | Female/Male             |
| Fitting type             | -               | G-thread, NPSF-thread   |
| Suction cup model        | -               | DCF90P Oily metal sheet |
| Movement, vertical max.  | mm              | 13.5                    |
| Curve radius, min.       | mm              | 130                     |
| Suction cup model        | -               | DCF90P Dry metal sheet  |
| Movement, vertical max.  | mm              | 13.5                    |
| Curve radius, min.       | mm              | 130                     |

## Performance - Lifting forces

|                         | Vertical (N) | Parallel (N) |
|-------------------------|--------------|--------------|
| DCF90P Oily metal sheet |              |              |
| 60 -kPa                 | 222          | 183          |
| 90 -kPa                 | 310          | 248          |
| DCF90P Dry metal sheet  |              |              |

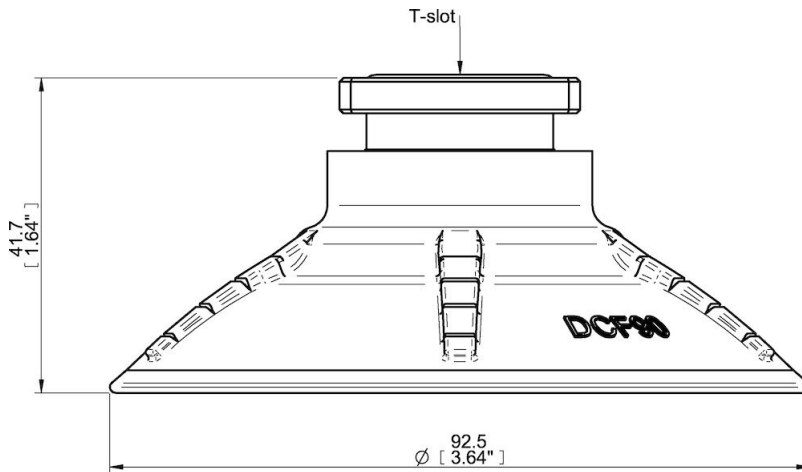
|         |     |     |
|---------|-----|-----|
| 60 -kPa | 255 | 256 |
| 90 -kPa | 311 | 358 |

**Material**

|                        |                     |
|------------------------|---------------------|
| Name                   | Polyurethane (PU60) |
| Colour                 | Orange              |
| Temperature, min.   °C | 10                  |
| Temperature max.   °C  | 50                  |
| Hardness   °Shore A    | 60                  |

**Material resistance**

|                    |           |
|--------------------|-----------|
| Alcohol            | n/a       |
| Concentrated acids | Fair      |
| Ethanol            | Fair      |
| Hydrolysis         | Fair      |
| Methanol           | Poor      |
| Oil                | Excellent |
| Oxidation          | Poor      |
| Petrol             | Fair      |
| Wear resistance    | Excellent |
| Weather and ozone  | Excellent |

**Dimensional drawings****Values specified in this data sheet are tested at (unless otherwise stated):**

- Room temperature (20°C [68°F] ± 3°C [5.5°F]).
- Standard atmosphere (101.3 [29.9 inHg] ± 1.0 kPa [0.3 inHg]).
- Relative humidity 20-70%.
- Compressed air quality, DIN ISO 8573-1 class 4.