

Suction cup B110 Nitrile-PVC, G1/2" female AI, with mesh filter

Article number: 3150030P



- Suitable for level adjustment. Several short bellows in one lifting device can handle objects with height differences and varying shapes, for example embossed or corrugated plates.
- The lifting movement can be used to separate small and thin objects.
- Only lightweight objects should be handled when the lifting force is parallel to the surface of the object, in order to achieve good precision and safe lifting movement.

Technical data

Description	Unit	Value
Suction cup shape	-	Bellows
Application	-	Dry sheet metal
Suction cup design	-	Round
Characteristics	-	Dry sheet metal
Material	-	Nitrile-PVC (NPV)
Weight, min.	g	120
Suction cup model	-	B
Volume	cm ³	310
Height	mm	66.82
Outer diameter, min.	mm	115
Fitting size	-	1/2"
Fitting option	-	Filter mesh
Fitting style	-	Female
Fitting type	-	G-thread
Suction cup model	-	B110
Movement, vertical max.	mm	34.6
Curve radius, min.	mm	60

Performance - Lifting forces

B110	Vertical (N)	Parallel (N)
20 -kPa	137	
60 -kPa	343	
90 -kPa	461	

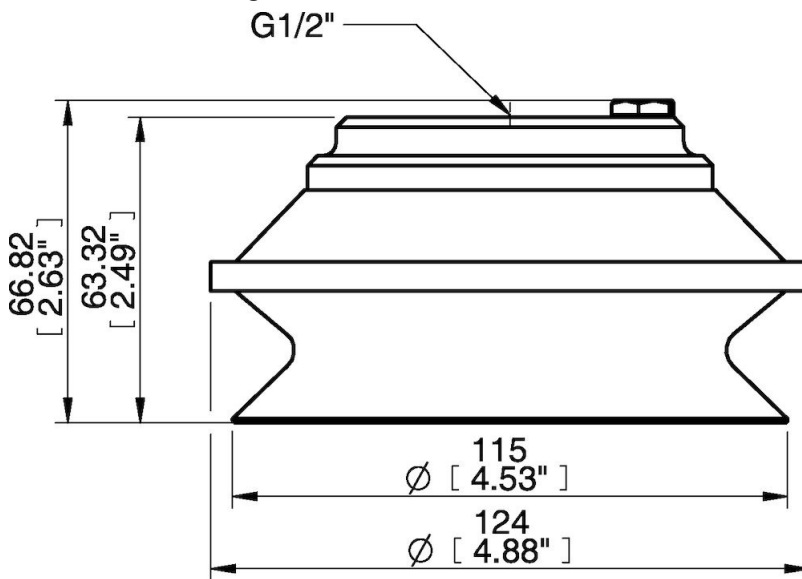
Material

Name	Nitrile-PVC (NPV)
Colour	Black
Temperature, min. °C	0
Temperature max. °C	90
Hardness °Shore A	50

Material resistance

Alcohol	Good
Concentrated acids	Fair
Ethanol	n/a
Hydrolysis	Good
Methanol	n/a
Oil	Excellent
Oxidation	Good
Petrol	Excellent
Wear resistance	Excellent
Weather and ozone	Good

Dimensional drawings



Values specified in this data sheet are tested at (unless otherwise stated):

- Room temperature (20°C [68°F] ± 3°C [5.5°F]).
- Standard atmosphere (101.3 [29.9 inHg] ± 1.0 kPa [0.3 inHg]).
- Relative humidity 20-70%.
- Compressed air quality, DIN ISO 8573-1 class 4.

Accessories

- 0100557 | Fitting 110 G3/8" female, with mesh filter
- 0100559 | Fitting 110, 3/8" NPSF female, with mesh filter
- 0100561 | Fitting 110, G1/2" female, with mesh filter
- 3150035T | Suction cup B110 HNBR with washer
- 3150108T | Suction cup B110 HNBR
- 3150108S | Suction cup B110 Silicone
- 3150108P | Suction cup B110 Nitrile-PVC

Spare parts

- 3250007 | Fitting G1/2" female AI, with mesh filter
- 3150108P | Suction cup B110 Nitrile-PVC