

Suction cup DCF90P Polyurethane 60, G1/4" female, with mesh filter

Article number: 0206795



- Special designed friction cups for domed or flat oily surfaces, such as sheets in metal forming processes.
- Long lasting material, normal wear on friction cup will not affect the long term shear force performance.
- Best choice if > 0.1g/m2 press oil is used on the sheet but also a great choice for dry metal sheets.
- Refined internal friction pattern provides additional grip performance, the suction cups can withstand high shear forces, typically 3–5 times more than corresponding conventional suction cups.
- Thin design that easily will follow convex or concave surfaces. The thin and pliable design in combination with a special inner friction pattern will maximize grip performance.
- DURAFLEX® suction cups manufactured in a specially developed material that features the elasticity of rubber and wear resistance of polyurethane. The material does not leave any marks on the objects handled and has a fantastic elastic memory, even after hundreds of thousands of cycles.

Technical data

Description	Unit	Value
Suction cup shape	-	Deep Concave
Application	-	Oily sheet metal
Suction cup design	-	Round
Characteristics	-	Oily sheet metal
Material	-	Polyurethane (PU)
Weight, min.	g	86.5
Suction cup model	-	DCF
Volume	cm ³	57.5
Height	mm	42.2
Outer diameter, max.	mm	98.4
Outer diameter, min.	mm	92.5
Outer diameter, actuated	mm	98.4
Fitting size	-	1/4"
Fitting option	-	Filter mesh
Fitting style	-	Female
Fitting type	-	G-thread
Material	-	Al
Suction cup model	-	DCF90P Oily metal sheet
Movement, vertical max.	mm	13.5
Curve radius, min.	mm	130
Suction cup model	-	DCF90P Dry metal sheet
Movement, vertical max.	mm	13.5
Curve radius, min.	mm	130

Performance - Lifting forces

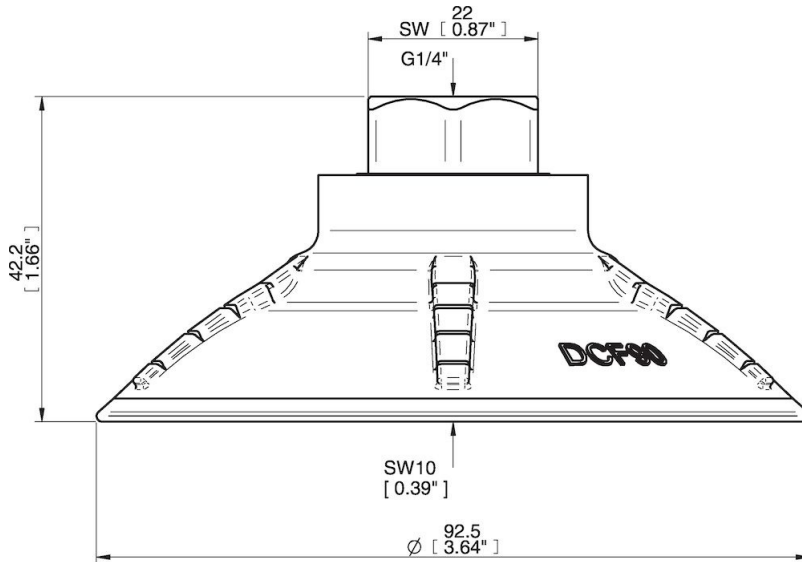
DCF90P Oily metal sheet	Vertical (N)	Parallel (N)
60 -kPa	222	183

DCF90P Oily metal sheet	Vertical (N)	Parallel (N)
90 -kPa	310	248
DCF90P Dry metal sheet		
60 -kPa	255	256
90 -kPa	311	358

Material	
Name	Polyurethane (PU60)
Colour	Orange
Temperature, min. °C	10
Temperature max. °C	50
Hardness °Shore A	60

Material resistance	
Alcohol	n/a
Concentrated acids	Fair
Ethanol	Fair
Hydrolysis	Fair
Methanol	Poor
Oil	Excellent
Oxidation	Poor
Petrol	Fair
Wear resistance	Excellent
Weather and ozone	Excellent

Dimensional drawings



Values specified in this data sheet are tested at (unless otherwise stated):

- Room temperature (20°C [68°F] ± 3°C [5.5°F]).
- Standard atmosphere (101.3 [29.9 inHg] ± 1.0 kPa [0.3 inHg]).
- Relative humidity 20-70%.
- Compressed air quality, DIN ISO 8573-1 class 4.