

Suction cup BL20-2 Silicone, G1/8" male, with mesh filter and dual flow control valve

Article number: 0101211



- Suitable for level adjustment.
- Lifting movement to separate small and thin objects.
- Less suitable when the lifting force is parallel to the surface of the object.

Technical data

Description	Unit	Value
Suction cup shape	-	Multibellows
Application	-	Bag handling
Suction cup design	-	Round
Characteristics	-	Bag handling
Material	-	Silicone (SIL)
Weight, min.	g	3
Suction cup model	-	BL-2
Volume	cm ³	4
Leakage flow, max.	l/s	0.06
Height	mm	34.9
Outer diameter, min.	mm	20
Fitting size	-	1/8"
Fitting option	-	Dual flow control valve, Filter mesh
Fitting style	-	Male
Fitting type	-	G-thread
Valve restriction	mm	0.7
Restricted vacuum flow	l/s	0.7
Suction cup model	-	BL20-2 reinforcement ring
Movement, vertical max.	mm	12.6
Curve radius, min.	mm	4
Suction cup model	-	BL20-2
Movement, vertical max.	mm	12.6
Curve radius, min.	mm	4

Performance - Lifting forces

	Vertical (N)	Parallel (N)
BL20-2 reinforcement ring		
20 -kPa	3.3	3.7
60 -kPa	8.2	6
BL20-2		
20 -kPa	2.2	
60 -kPa	7	

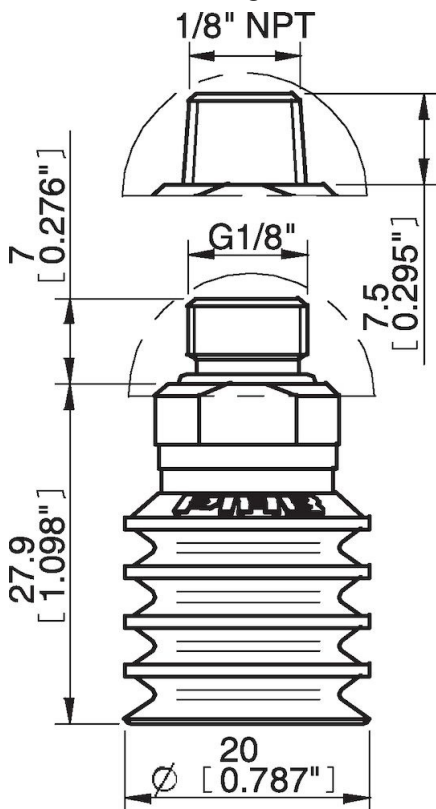
Material

Name	Silicone, SIL 50° Shore A
Colour	Red
Temperature, min. °C	-40
Temperature max. °C	200
Hardness °Shore A	50

Material resistance

Alcohol	Good
Concentrated acids	Poor
Ethanol	n/a
Hydrolysis	Fair
Methanol	n/a
Oil	Poor
Oxidation	Excellent
Petrol	Poor
Wear resistance	Good
Weather and ozone	Excellent

Dimensional drawings



Values specified in this data sheet are tested at (unless otherwise stated):

- Room temperature (20°C [68°F] ± 3°C [5.5°F]).
- Standard atmosphere (101.3 [29.9 inHg] ± 1.0 kPa [0.3 inHg]).
- Relative humidity 20-70%.
- Compressed air quality, DIN ISO 8573-1 class 4.

Accessories

0100260 | Fitting 5xM5 female
0101115 | Suction cup BL20-2 Chloroprene
0101152 | Fitting G1/8" male/M5 female, with mesh filter
0201132 | Suction cup BL20-2 HNBR
3150196 | Fitting G1/8" male/M5 female, PA
3250003 | Fitting M5 female
3250004 | Fitting G1/8" male/M5 female
3250085 | Fitting G1/8" male, with mesh filter
3250088 | Fitting 1/8" NPT male, with mesh filter
3251001 | Fitting M5 female, with dual flow control valve
3251003 | Fitting 1/8" NPT male, with dual flow control valve
3251004 | Fitting G1/8" male/M5 female, with dual flow control valve
3251005 | Fitting 5xM5 female, with dual flow control valve
3150071 | Reinforcement ring 20-2

Spare parts

0101116 | Suction cup BL20-2 Silicone