

Suction cup B40MF Thermoelastic polyurethane, 5x1/8" NPSF female

Article number: 0101487



- Suction cup of TPU, a mark free material that leaves no trace on the object being handled.
- Suitable for level adjustment.
- Lifting movement to separate small and thin objects.
- Only lightweight objects should be handled when the lifting force is parallel to the surface.

Technical data

| Description | Unit | Value |
|--------------------------|-----------------|-------------|
| Suction cup shape | - | Bellows |
| Application | - | Mark Free |
| Suction cup design | - | Round |
| Characteristics | - | Mark free |
| Material | - | TPE |
| Weight, min. | g | 10 |
| Suction cup model | - | B-MF |
| Volume | cm ³ | 15 |
| Height | mm | 46 |
| Outer diameter, min. | mm | 43.7 |
| Outer diameter, actuated | mm | 47.7 |
| Fitting size | - | 5x1/8" |
| Fitting option | - | None |
| Fitting style | - | Female |
| Fitting type | - | NPSF-thread |
| Suction cup model | - | B40MF |
| Movement, vertical max. | mm | 12.5 |
| Curve radius, min. | mm | 22 |

Performance - Lifting forces

| B40MF | Vertical (N) | Parallel (N) |
|---------|--------------|--------------|
| 20 -kPa | 18 | 13.6 |
| 60 -kPa | 57 | 40 |
| 90 -kPa | 72 | 47 |

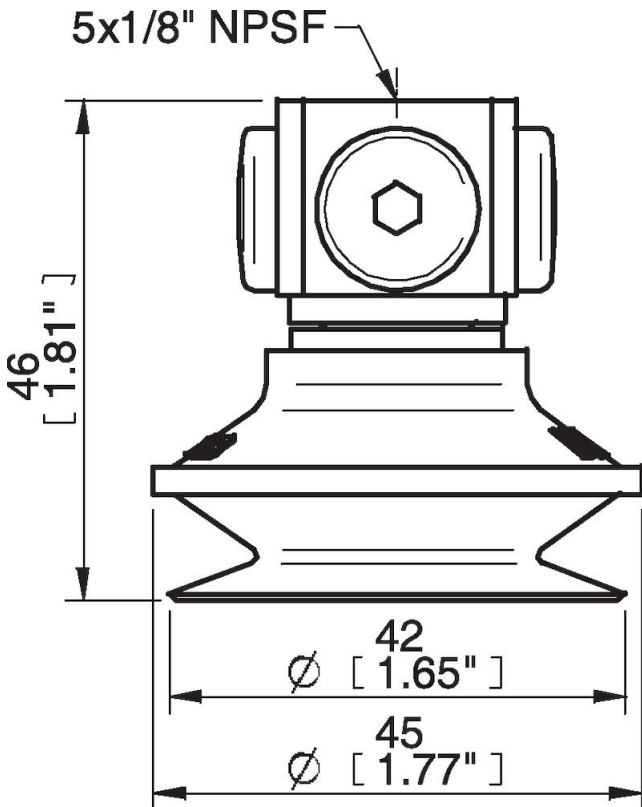
Material

| | |
|------------------------|------------------------------------|
| Name | Thermoplastic Polyurethane (TPE-U) |
| Colour | White transparent |
| Temperature, min. °C | -20 |
| Temperature max. °C | 80 |
| Hardness °Shore A | 81 |

Material resistance

| | |
|--------------------|-----------|
| Alcohol | Good |
| Concentrated acids | Poor |
| Ethanol | n/a |
| Hydrolysis | Poor |
| Methanol | n/a |
| Oil | Excellent |
| Oxidation | Good |
| Petrol | Poor |
| Wear resistance | Excellent |
| Weather and ozone | Excellent |

Dimensional drawings



Values specified in this data sheet are tested at (unless otherwise stated):

- Room temperature (20°C [68°F] ± 3°C [5.5°F]).
- Standard atmosphere (101.3 [29.9 inHg] ± 1.0 kPa [0.3 inHg]).
- Relative humidity 20-70%.
- Compressed air quality, DIN ISO 8573-1 class 4.

Accessories

- 0101153 | Fitting 1/8" NPSF female, 30–40, with mesh filter
- 3250005 | Fitting 1/8" NPSF female, 30–40
- 3250086 | Fitting G3/8" male, 30–40, with mesh filter
- 3250089 | Fitting 3/8" NPT male, with mesh filter
- 3250091 | Fitting G1/4" male, 30–40, with mesh filter
- 3250093 | Fitting 1/4" NPT male, with mesh filter
- 3251006 | Fitting 1/8" NPSF female, 30–40, with dual flow control valve
- 3251007 | Fitting G1/4" male, 30–40, with mesh filter and dual flow control valve
- 3251008 | Fitting 1/4" NPT male, with dual flow control valve
- 3251009 | Fitting G3/8" male, 30–40, with mesh and dual flow control valve
- 3251010 | Fitting 3/8" NPT male, with dual flow control valve
- 3251011 | Fitting 5x1/8" NPSF female, 30–40, with dual flow control valve

Spare parts

0100261 | Fitting 5x1/8" NPSF female, 30–40

0101113 | Suction cup B40MF Thermoelastic polyurethane