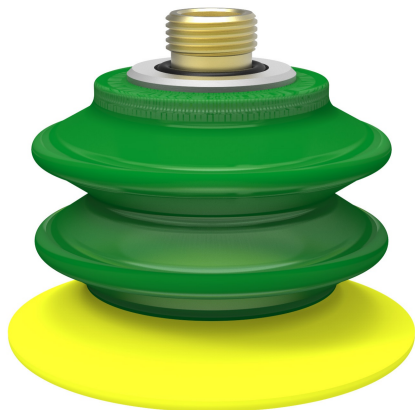


Suction cup BX75P Polyurethane 30/60 with filter, thread insert G3/8" male

Article number: 0107151



- Suitable for level adjustment and for uneven and porous surfaces such as cardboard, etc.
- In the two-coloured suction cup the bellows and the sealing lip are of different hardnesses, which makes the suction cup strong and stable and, at the same time, soft and flexible.
- DURAFLEX® suction cups manufactured in a specially developed material that features the elasticity of rubber and wear resistance of polyurethane.
- The material DURAFLEX® is mark free.

Technical data

| Description | Unit | Value |
|-------------------------|-----------------|--|
| Suction cup shape | - | Multibellows |
| Application | - | Dry sheet metal, Corrugated / cardboard, Plastic injection molded parts, Mark Free |
| Suction cup design | - | Round |
| Characteristics | - | Dry sheet metal, Corrugated / cardboard, Plastic injection molded parts, Mark free |
| Material | - | Polyurethane (PU) |
| Weight, min. | g | 71 |
| Suction cup model | - | BX-P |
| Volume | cm ³ | 80 |
| Height | mm | 61.7 |
| Outer diameter, min. | mm | 77.5 |
| Fitting size | - | 3/8" |
| Fitting option | - | Filter |
| Fitting style | - | Male |
| Fitting type | - | G-thread |
| Suction cup model | - | BX75P PU30 PU60 |
| Movement, vertical max. | mm | 26 |
| Curve radius, min. | mm | 23 |

Performance - Lifting forces

| BX75P PU30 PU60 | Vertical (N) | Parallel (N) |
|-----------------|--------------|--------------|
| 20 -kPa | 62 | 39 |
| 60 -kPa | 110 | 83 |
| 90 -kPa | 141 | 116 |

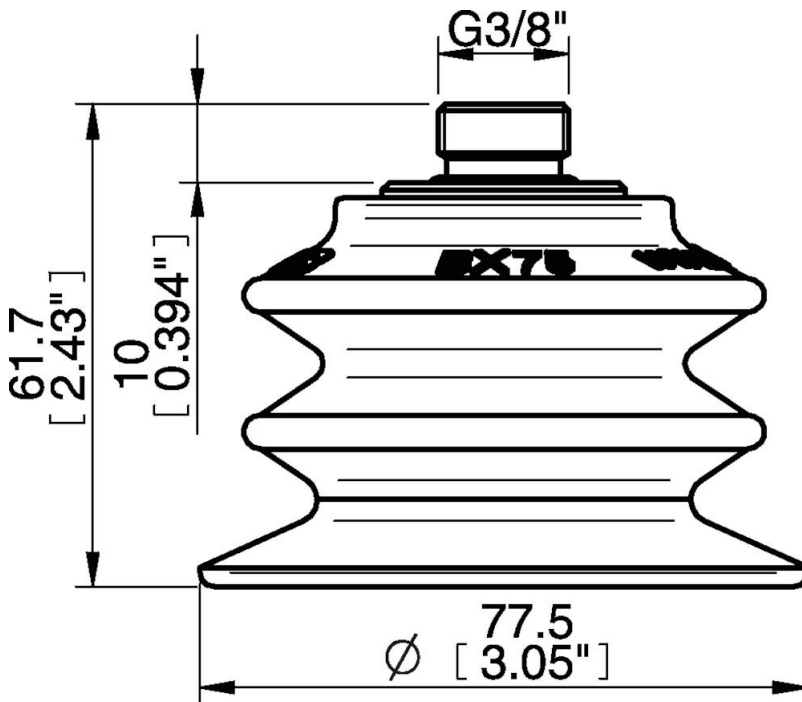
Material

| | | |
|------------------------|---------------------|---------------------|
| Name | Polyurethane (PU30) | Polyurethane (PU60) |
| Colour | Yellow | Green transparent |
| Temperature, min. °C | 10 | 10 |
| Temperature max. °C | 50 | 50 |
| Hardness °Shore A | 30 | 60 |

Material resistance

| | | |
|--------------------|-----------|-----------|
| Alcohol | n/a | n/a |
| Concentrated acids | Fair | Fair |
| Ethanol | Fair | Fair |
| Hydrolysis | Fair | Fair |
| Methanol | Poor | Poor |
| Oil | Excellent | Excellent |
| Oxidation | Poor | Poor |
| Petrol | Fair | Fair |
| Wear resistance | Excellent | Excellent |
| Weather and ozone | Excellent | Excellent |

Dimensional drawings



Values specified in this data sheet are tested at (unless otherwise stated):

- Room temperature (20°C [68°F] ± 3°C [5.5°F]).
- Standard atmosphere (101.3 [29.9 inHg] ± 1.0 kPa [0.3 inHg]).
- Relative humidity 20-70%.
- Compressed air quality, DIN ISO 8573-1 class 4.

Accessories

- 0107150 | Suction cup BX75P Polyurethane 60 with filter, for thread insert
- 0200716 | Thread insert G1/8" male, with O-ring and mesh filter
- 0201077 | Thread insert G1/4" male, with O-ring and mesh filter

Spare parts

- 0106797 | Thread insert G3/8" male, with O-ring
- 0107145 | Suction cup BX75P Polyurethane 30/60 with filter, for thread insert
- 0201003 | Suction cup filter BX75P, 10 pcs