

COAX® cartridge MIDI Xi40-2, holding cap, extra non-return valve

Article number: 0118758



- Two-stage COAX® cartridge – MIDI – with small mounting dimensions for limited spaces
- Deep end vacuum level, 95 -kPa
- High vacuum flow at deep vacuum levels, 75 to 95 - kPa
- Quick response time when deep vacuum is needed
- The all-round characteristics makes it suitable for several types of vacuum applications

Technical data

Description	Unit	Value
Material	-	Al, Nitrile (NBR), PA, SS
Temperature, max.	°C	80
Temperature, min.	°C	-10
Weight, max.	g	54.7
Weight, min.	g	18.5
Feed pressure, max.	MPa	0.7

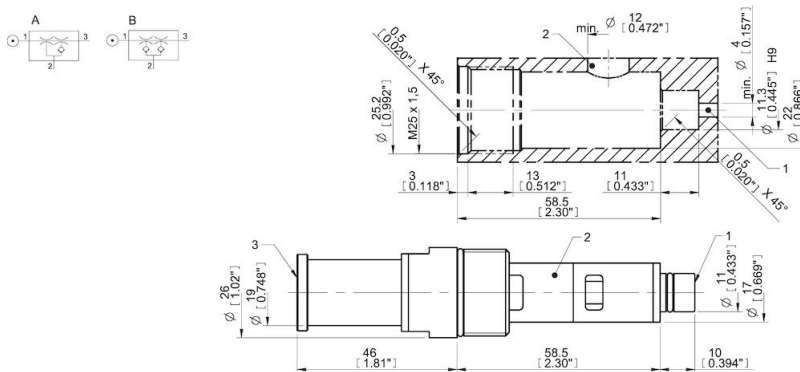
Performance

Feed pressure MPa	Air consumption Nl/s	Vacuum flow (Nl/s) at different vacuum levels (-kPa)												Max vacuum kPa	
		0	10	20	30	40	50	60	70	75	80	90	95		99
0.45	1.83	2.8	2.3	1.6	1	0.73	0.58	0.43	0.32	0	0.18	0.03	0	0	≥95
0.5	2	2.8	2.4	1.8	1.2	0.72	0.54	0.4	0.3	0	0.14	0.02	0	0	≥94
0.6	2.33	2.7	2.4	2	1.5	0.9	0.52	0.4	0.31	0	0.16	0.03	0	0	≥94

Feed pressure MPa	Air consumption Nl/s	Evacuation time (s/l) to reach different vacuum levels (-kPa)												Max vacuum kPa	
		10	20	30	40	50	60	70	80	90	95	99	99.5		100.3
0.45	1.83	0.04	0.09	0.17	0.28	0.44	0.63	0.9	1.3	2.3	0	0	0	0	≥95
0.5	2	0.04	0.09	0.15	0.26	0.42	0.63	0.91	1.4	2.6	0	0	0	0	≥94
0.6	2.33	0.04	0.08	0.14	0.23	0.37	0.58	0.87	1.3	2.3	0	0	0	0	≥94

Feed pressure MPa	Air consumption Nl/s	Blow flow (Nl/s) at different pressure levels (-kPa)												Max pressure kPa			
		0	10	20	30	40	50	60	70	80	90	100	110		120	130	140
0.6	2.33	5.1	5	4.6	4.1	3.4	3.4	3.3	3.1	2.8	2.4	0	0	0	0	0	≥94

Dimensional drawings



Values specified in this data sheet are tested at (unless otherwise stated):

- Room temperature (20°C [68°F] ± 3°C [5.5°F]).
- Standard atmosphere (101.3 [29.9 inHg] ± 1.0 kPa [0.3 inHg]).
- Compressed air quality, DIN ISO 8573-1 class 4.

Accessories

0111976 | Silencer COAX® MIDI

Spare parts

0109531 | Spare part kit Midi COAX

0124897 | Spare part kit Midi COAX Viton

0107130 | Cartridge holder Midi-2 cpl.