

# Suction cup P-D36 Silicone 3/8" NPT male composite, detectable, FCM

Article number: 0207036



- The silicone material complies with FDA 21 CFR 177.2600 and EU 1935/2004.
- Long lasting high-end silicone material
- A low percentage metal additive (Fe) is mixed with the rubber material to make it detectable.
- Suitable for pralines, such as chocolates
- Available with male threaded food grade, detectable plastic fittings or acid proof stainless steel fittings.
- Easy to clean with hygienic design. No dust/dirt pockets.

## Technical data

| Description             | Unit            | Value   |
|-------------------------|-----------------|---|
| Suction cup shape       | -               | Deep  |
| Application             | -               | Food contact materials (FDA & EU), detectable |
| Suction cup design      | -               | Round   |
| Characteristics         | -               | Food contact materials (FDA & EU), detectable |
| Material                | -               | Silicone (SIL)                                |
| Load, torque, max.      | Nm              | 13  |
| Weight, min.            | g               | 14.5  |
| Suction cup model       | -               | P-D   |
| Volume                  | cm <sup>3</sup> | 15  |
| Height                  | mm              | 46.3  |
| Outer diameter, min.    | mm              | 35.8  |
| Fitting size            | -               | 3/8"  |
| Fitting option          | -               | None  |
| Fitting style           | -               | Male  |
| Fitting type            | -               | NPT-thread                                    |
| Tightening torque, max. | Nm              | 13  |
| Material                | -               | Composite                                     |
| Suction cup model       | -               | P-D36 Dry metal sheet                         |
| Curve radius, min.      | mm              | 37  |

## Performance - Lifting forces

| P-D36 Dry metal sheet | Vertical (N) | Parallel (N) |
|-----------------------|--------------|--------------|
| 10 -kPa               | 4.5          | 12.2         |
| 20 -kPa               | 8.6          | 16.8         |
| 40 -kPa               | 19           | 28.3         |

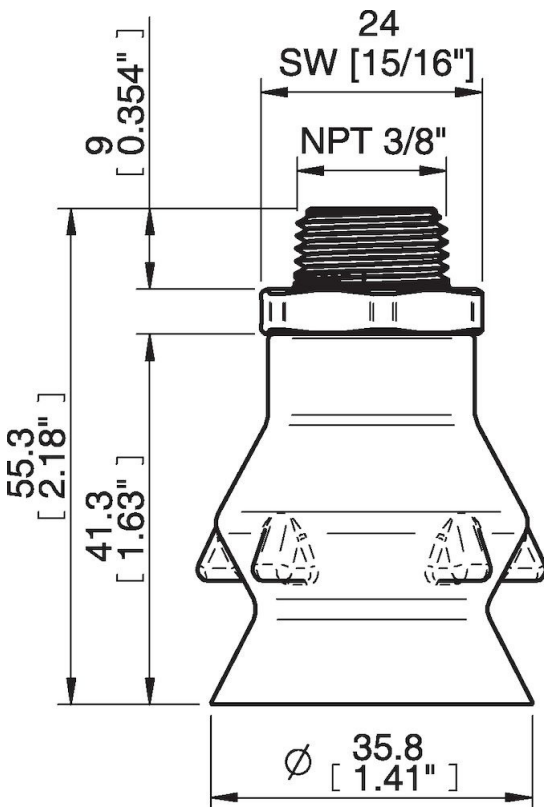
## Material

|                        |                               |
|------------------------|-------------------------------|
| Name                   | Silicone (SIL detectable FCM) |
| Colour                 | Blue                          |
| Temperature, min.   °C | -40                           |
| Temperature max.   °C  | 200                           |
| Hardness   °Shore A    | 40                            |

## Material resistance

|                    |           |
|--------------------|-----------|
| Alcohol            | Good      |
| Concentrated acids | Poor      |
| Ethanol            | n/a       |
| Hydrolysis         | Fair      |
| Methanol           | n/a       |
| Oil                | Poor      |
| Oxidation          | Excellent |
| Petrol             | Poor      |
| Wear resistance    | Good      |
| Weather and ozone  | Excellent |

## Dimensional drawings



## Values specified in this data sheet are tested at (unless otherwise stated):

- Room temperature (20°C [68°F] ± 3°C [5.5°F]).
- Standard atmosphere (101.3 [29.9 inHg] ± 1.0 kPa [0.3 inHg]).
- Relative humidity 20-70%.
- Compressed air quality, DIN ISO 8573-1 class 4.

## Accessories

- 0207147 | Fitting G1/4" Male, SS, F-BX25-50 P-D36
- 0207148 | Fitting 1/4"NPT Male, SS, F-BX25-50 P-D36
- 0207149 | Fitting G3/8" Male, SS, F-BX25-50 P-D36
- 0207150 | Fitting 3/8"NPT Male, SS, F-BX25-50 P-D36
- 0207151 | Fitting G1/4" Male, composite, F-BX25-50 P-D36
- 0207152 | Fitting 1/4"NPT Male, composite, F-BX25-50 P-D36
- 0207153 | Fitting G3/8" Male, composite, F-BX25-50 P-D36
- 0207154 | Fitting 3/8"NPT Male, composite, F-BX25-50 P-D36

## Spare parts

- 0206372 | Suction cup P-D36 Silicone detectable, FCM
- 0207154 | Fitting 3/8"NPT Male, composite, F-BX25-50 P-D36