

Suction cup BL50-3P Polyurethane 30/70, 1/2" NPT male

Article number: 0113746



- High-flow fitting allowing high initial vacuum flow needed for plastic bag handling.
- Suitable for level adjustment and uneven surfaces.
- Dual hardness allowing strength and stability in conjunction with softness and flexibility.
- DURAFLEX® material features the elasticity of rubber in combination with the wear resistance of polyurethane.
- The DURAFLEX® material is mark-free.

Technical data

Description	Unit	Value
Suction cup shape	-	Multibellows
Application	-	Bag handling
Suction cup design	-	Round
Characteristics	-	Bag handling
Material	-	Polyurethane (PU)
Weight, min.	g	24
Suction cup model	-	BL-3-P
Volume	cm ³	54
Height	mm	91
Outer diameter, min.	mm	50
Fitting size	-	1/2"
Fitting option	-	None
Fitting style	-	Male
Fitting type	-	NPT-thread
Suction cup model	-	BL50-3P
Movement, vertical max.	mm	26
Curve radius, min.	mm	16

Performance - Lifting forces

BL50-3P	Vertical (N)	Parallel (N)
20 -kPa	24	22
60 -kPa	60	49
90 -kPa	75	60

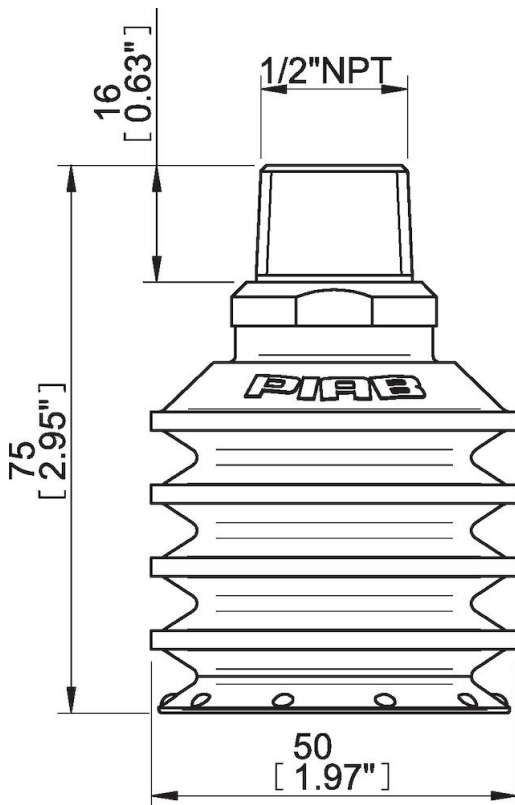
Material

Name	Polyurethane (PU30)	Polyurethane (PU70)
Colour	Yellow	Black
Temperature, min. °C	10	10
Temperature max. °C	50	50
Hardness °Shore A	30	70

Material resistance

Alcohol	n/a	n/a
Concentrated acids	Fair	Fair
Ethanol	Fair	Fair
Hydrolysis	Fair	Fair
Methanol	Poor	Poor
Oil	Excellent	Excellent
Oxidation	Poor	Poor
Petrol	Fair	Fair
Wear resistance	Excellent	Excellent
Weather and ozone	Excellent	Excellent

Dimensional drawings



Values specified in this data sheet are tested at (unless otherwise stated):

- Room temperature (20°C [68°F] ± 3°C [5.5°F]).
- Standard atmosphere (101.3 [29.9 inHg] ± 1.0 kPa [0.3 inHg]).
- Relative humidity 20-70%.
- Compressed air quality, DIN ISO 8573-1 class 4.

Accessories

0113117 | Fitting G1/2" male, bag

Spare parts

0112641 | Suction cup BL50-3P Polyurethane 30/70

0113140 | Fitting 1/2" NPT male, bag