

Suction cup B52XP Polyurethane 30/60, 5x1/8" NPSF female

Article number: 0205134



- Suitable for limited level adjustment with good stability.
- Excellent gripping performance on corrugated and porous or surface leaking objects such as cardboard, textured plastic parts and composite material (raw surface)
- In the two-coloured suction cup the bellows and the sealing lip are of different hardnesses, which makes the suction cup strong and stable for accelerations and speed, at the same time, soft and flexible.
- DURAFLEX® suction cups manufactured in a specially developed material that features the elasticity of rubber and wear resistance of polyurethane.
- The material DURAFLEX® is mark free.

Technical data

| Description | Unit | Value |
|-------------------------|-----------------|--|
| Suction cup shape | - | Bellows |
| Application | - | Corrugated / cardboard, Plastic injection molded parts |
| Suction cup design | - | Round |
| Characteristics | - | Corrugated / cardboard, Plastic injection molded parts |
| Material | - | Polyurethane (PU) |
| Weight, min. | g | 17 |
| Suction cup model | - | B-XP |
| Volume | cm ³ | 13.3 |
| Height | mm | 45 |
| Outer diameter, min. | mm | 53 |
| Fitting size | - | 5x1/8" |
| Fitting option | - | None |
| Fitting style | - | Female |
| Fitting type | - | NPSF-thread |
| Suction cup model | - | B52XP PU30 PU60 |
| Movement, vertical max. | mm | 11.2 |
| Curve radius, min. | mm | 25 |

Performance - Lifting forces

| B52XP PU30 PU60 | Vertical (N) | Parallel (N) |
|-----------------|--------------|--------------|
| 20 -kPa | 36 | 30 |
| 60 -kPa | 84 | 60 |
| 90 -kPa | 102 | 85 |

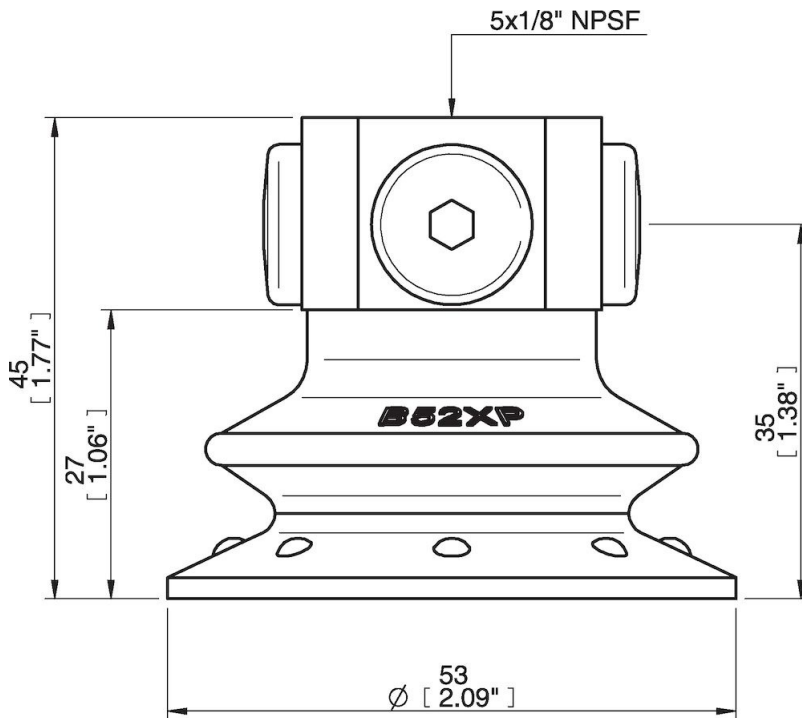
Material

| | | |
|------------------------|---------------------|---------------------|
| Name | Polyurethane (PU30) | Polyurethane (PU60) |
| Colour | Yellow | Green transparent |
| Temperature, min. °C | 10 | 10 |
| Temperature max. °C | 50 | 50 |
| Hardness °Shore A | 30 | 60 |

Material resistance

| | | |
|--------------------|-----------|-----------|
| Alcohol | n/a | n/a |
| Concentrated acids | Fair | Fair |
| Ethanol | Fair | Fair |
| Hydrolysis | Fair | Fair |
| Methanol | Poor | Poor |
| Oil | Excellent | Excellent |
| Oxidation | Poor | Poor |
| Petrol | Fair | Fair |
| Wear resistance | Excellent | Excellent |
| Weather and ozone | Excellent | Excellent |

Dimensional drawings



Values specified in this data sheet are tested at (unless otherwise stated):

- Room temperature (20°C [68°F] ± 3°C [5.5°F]).
- Standard atmosphere (101.3 [29.9 inHg] ± 1.0 kPa [0.3 inHg]).
- Relative humidity 20-70%.
- Compressed air quality, DIN ISO 8573-1 class 4.

Accessories

- 0101154 | Fitting 1/8" NPSF female, 50, with mesh filter
- 0200715 | Fitting G1/8" male, 50, with mesh filter
- 3250087 | Fitting G3/8" male, 50, with mesh filter
- 3250090 | Fitting 3/8" NPT male, with mesh filter
- 3250092 | Fitting G1/4" male, 50, with mesh filter
- 3250094 | Fitting 1/4" NPT male, with mesh filter

Spare parts

- 0100262 | Fitting 5x1/8" NPSF female, 50
- 0205007 | Suction cup B52XP Polyurethane 30/60