

# P35 - Suction cup - G1/8"

Article number: 0223818



- Suitable for handling of flat, structured and uneven surfaces like checker plates or stone tiles.
- The profile list, manufactured in EPDM, is soft and can take up height differences of a few mm.
- High lifting force compared to its size due to the rigid aluminum plate.
- The cup is designed to handle vertical lift forces. Subjecting the cup of parallel lift forces is not recommended.

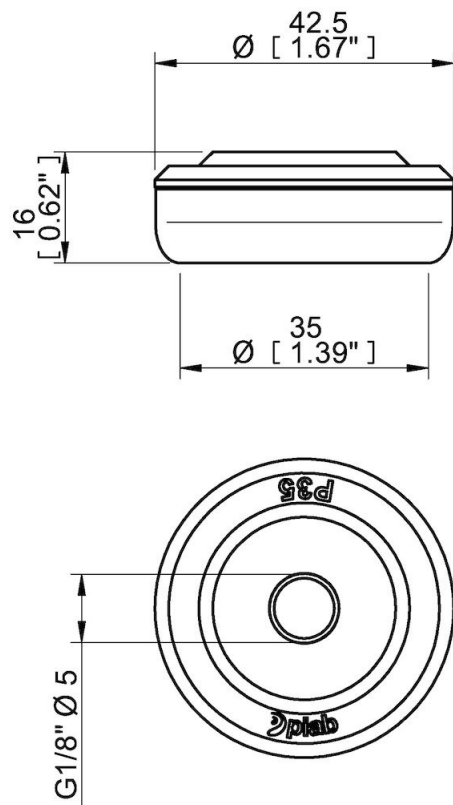
## Technical data

Description	Unit	Value
Suction cup shape	-	Flat
Application	-	Dry sheet metal, Mark Free, Plastic injection molded parts
Suction cup design	-	Round
Characteristics	-	Dry sheet metal, Mark free, Plastic injection molded parts
Material	-	Ethylene Propylene (EPDM)
Weight, min.	g	24
Suction cup model	-	P
Volume	cm <sup>3</sup>	6
Height (C)	mm	16
Outer diameter, min. (A)	mm	42.5
Fitting size	-	1/8"
Fitting style	-	Female
Fitting type	-	G-thread
Material	-	Al
Suction cup model	-	P35
Movement, vertical max.	mm	6

## Performance - Lifting forces

P35	Vertical (N)	Parallel (N)
20 -kPa	20	
60 -kPa	50	
90 -kPa	70	

## Dimensional drawings



**Values specified in this data sheet are tested at (unless otherwise stated):**

- Room temperature (20°C [68°F] ± 3°C [5.5°F]).
- Standard atmosphere (101.3 [29.9 inHg] ± 1.0 kPa [0.3 inHg]).
- Relative humidity 20-70%.
- Compressed air quality, DIN ISO 8573-1 class 4.

## Spare parts

3350023 | Lip P35 EPDM