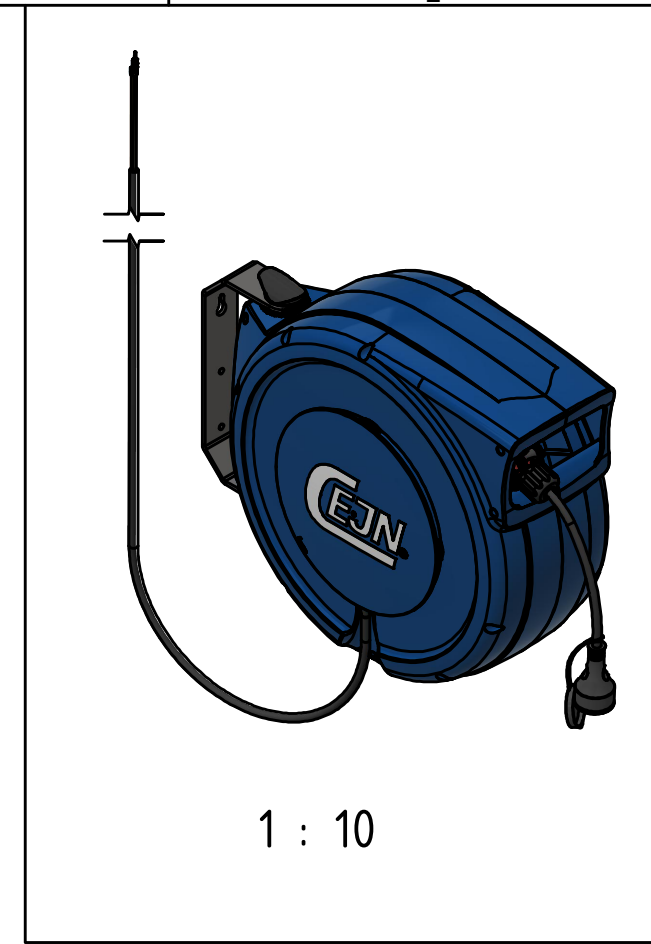
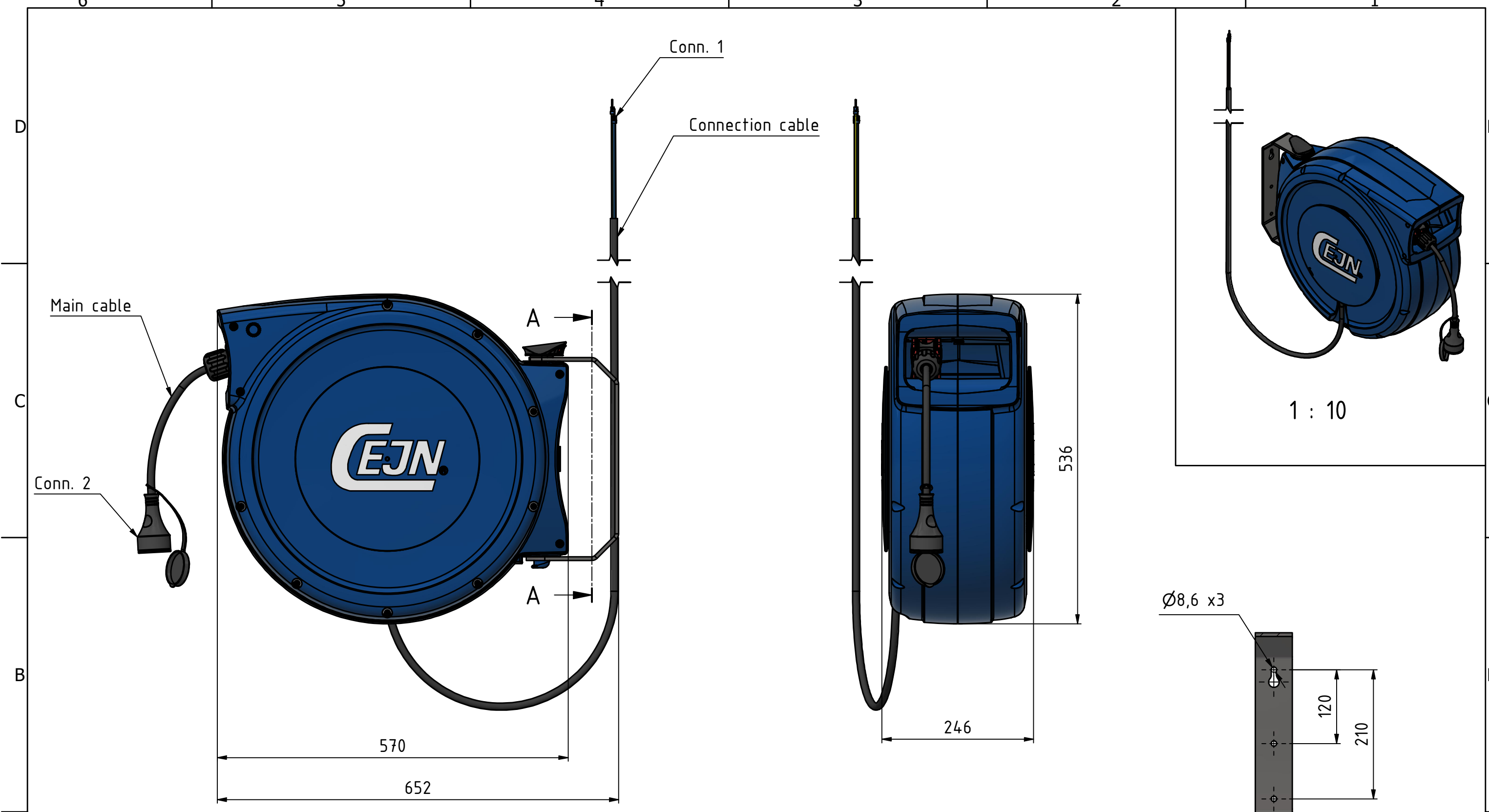
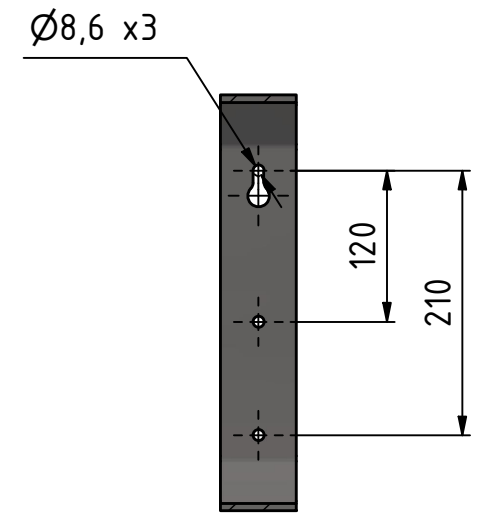


This document must not be copied, either completely or in part, without permission. Any infringement will have legal consequences ©



Product No.	199112720
Cable:	3x2,5 mm ²
Cable length:	25 m
Voltage:	240 V
Max power output coiled:	2400 W
Max power output uncoiled:	3700 W
Temperature range:	-10°C - 50°C
Connection cable length:	1,25 m
Weight:	19,8 kg
Connection 1:	3x2,5mm ²
Connection 2:	Schuko-socket



State Work in Progress	Drawn CABFA2	Checked LIJA	Approved JOOL	Date 2025-01-22
Electric reel, G2 (3x2,5mm ² /25m) - Schuko-socket		ECO	Former No.	Scale 1 : 6
		Drawing No. 199112720		Issue A

