

Parts Reference Guide

Guía de referencia de piezas

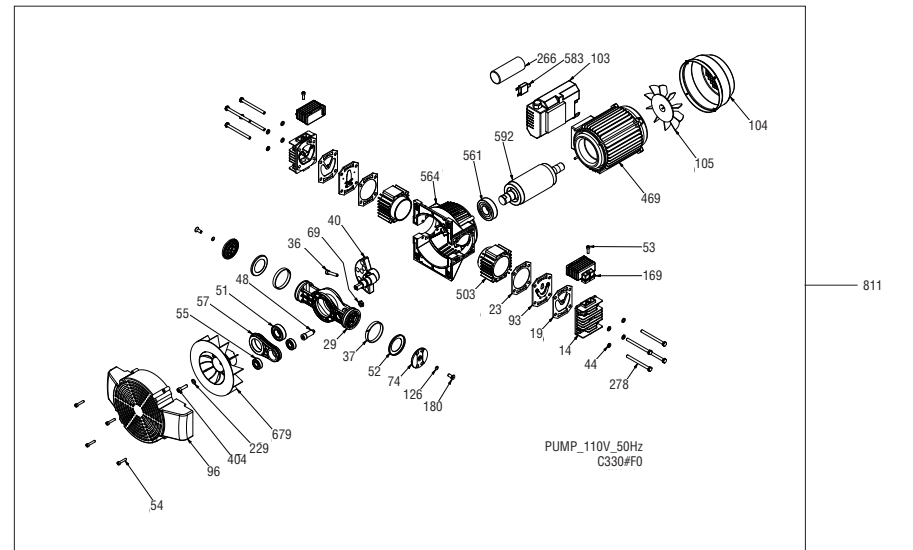
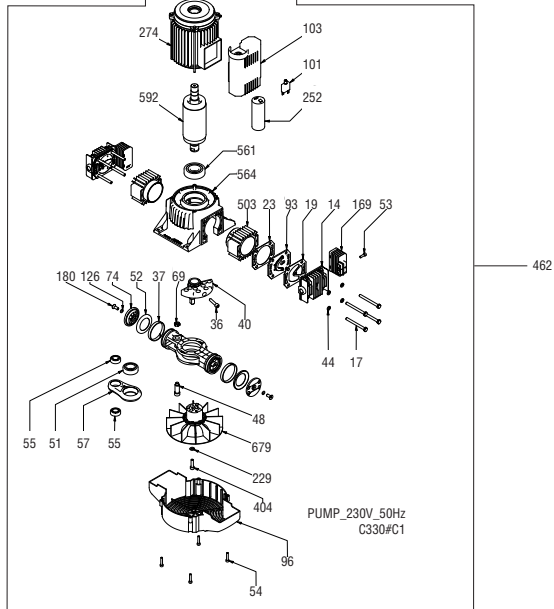
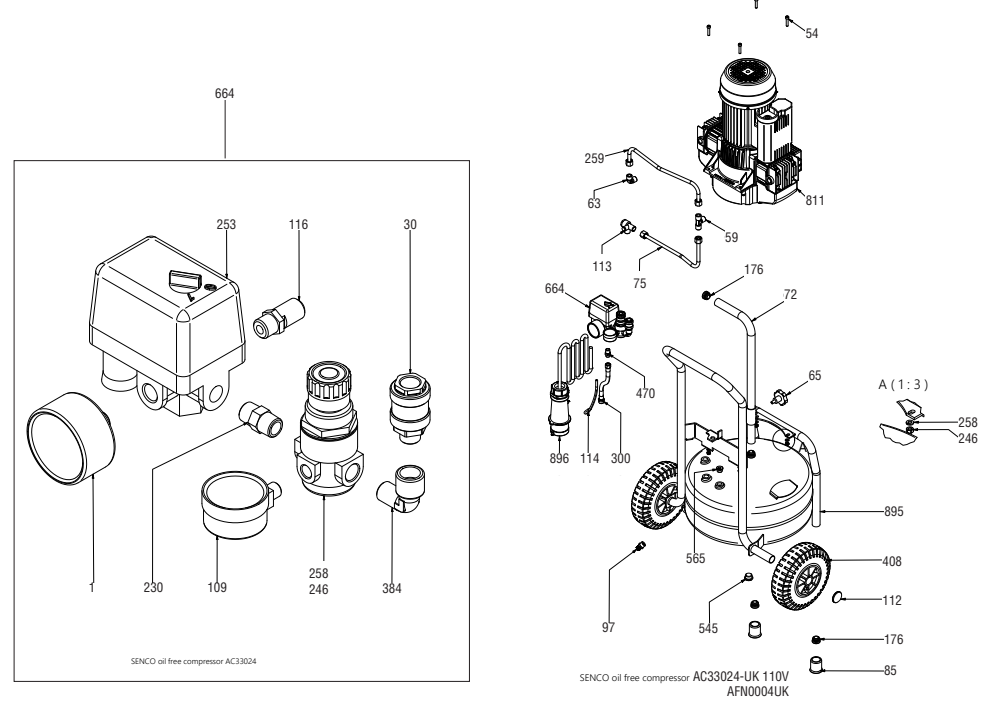
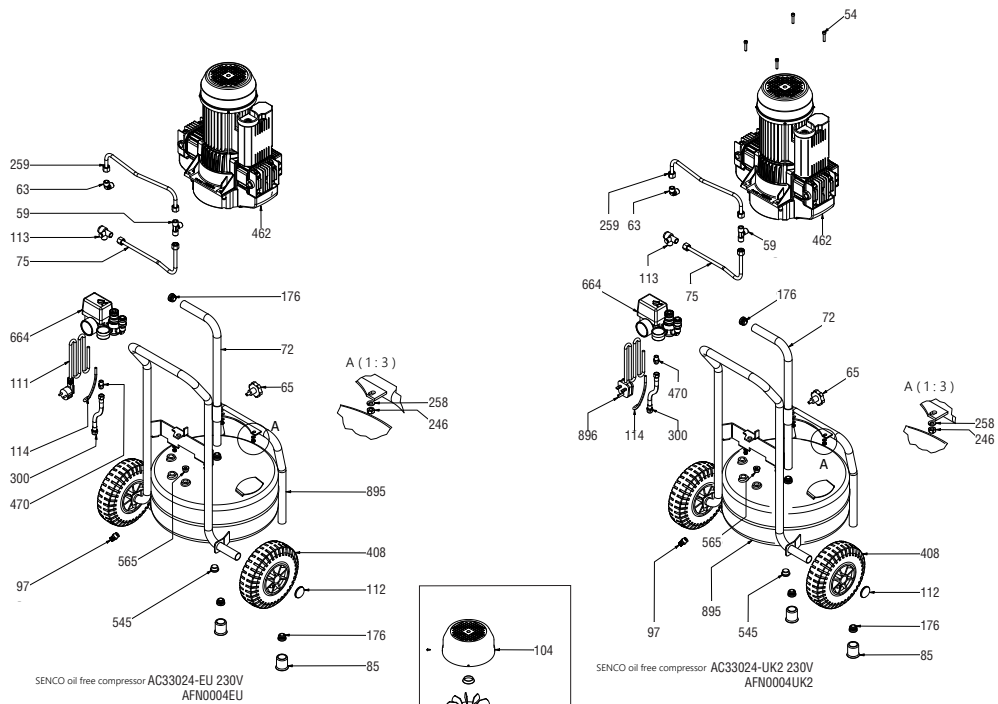
Pièces Guide de référence

Schematic Drawings Inside

Plano esquemático en el interior

Schéma intérieur







# 24 Liter Compressor

# AC33024

## REPLACEMENT PARTS LIST • LISTA DE PARTES DE REPUESTO • ERSATZTEILE-LISTE • LISTE DE PIÈCES DE RECHANGE

PART NO.	DESCRIPTION
1	203521 REAR MANOMETER D.50-1.4
14	M0089 TOOLED HEAD 83006 - C330/240
17	VTE 8X90 SCREW TE 8.8 UNI 5737 M8X90 ZINC.
19	83015/1 GASKET FOR HEAD (C240/330)
23	83016 GASKET FOR CYLINDER (C240/330)
29	M0087 PISTON C330
30	5000#0103M020T VALVE M 1.4 SPHERICAL_OT
36	VTB 8X40 SCREW TCEI 8.8 UNI 5931 M8X40 BLACK
37	83022 GUIDE RING PERFORMED (C240/330)
40	M0090 TOOLED CRANKSHAFT STROKE 30M
44	RON E8 GROWER D.8.4X14X2 ZINC. UNI 1751
48	83013/2 BEARING PERN (C240/330)
51	6205/2RS BALL BEARING 6205 2RS C3
52	PAX01226 PISTON RING PTFE 71X46.6X4.98
53	VTB 6X20 SCREW TCEI 8.8 UNI 5931 M6X20 ZINC.
54	VTB 6X30 SCREW TCEI 8.8 UNI 5931 - M6X30 ZINC.
55	6202/2RS BALL BEARING 6202 2RS C3
57	M0187 CONNECTING ROD AXER C330/240
59	608233 FITTING MOD. 430 3/8 MMM
63	608123 FITTING MOD. 400 3/8 MM
65	82097 BALL GRIP M8X15 D.50-IP/50
69	DAD010/B NUT GS UNI 5589 M10 ZINC.
72	M0234 ZINCATURA TUBO D25 MANICO C330/240/24
74	M0110 PISTON COVER C330
75	83043 COPPER PIPE D.10X1 C330/24
85	2000333 RUBBER FEET (C330/03-24-50)
93	83017/M ASS VALVE PLATE W/ COPPER PINS
96	83010/1 C330 IMPELLER COVER
97	602502 DRAIN COCK MOD. 025 1/4
101	83051 TRIP SWITCH 12A MEC90 PVC (MOTOR 1.7KW)
103	83050 CAPACITOR BOX MEC 90 (PVC)
104	83048 IMPELLER COVER MEC 90 PVC
105	83049 IMPELLER MEC 90 PVC
108	41030302 REDUCER TYPE A
109	203522 MANOMETER RAD. D40 0-12 BAR/PSI 1/8M
111	83024 EU PLUG ELECTRIC CORD 230V 1,5M
112	83034 COVER TO SECURE THE WHEEL RPC 4250 D.25
113	83026/1 NON RETURN VALVE 3/8M. D.10
114	KRR004/100 RUBBER HOSE "RILSAN" 4X6 PA12
116	82098/2 SAFETY VALVE 1.4 - TAB
126	201229G GASKET -OR IN SILICONE 70 RED 9.25X1.78
169	M0107 AIR INTAKE SPONGE FILTER FOR C330
176	83057 COVER FOR TUBE D.25 -BLACK
180	VTS 8X20 SCREW TSEI 10.90 UNI5933 M8X15 ZINC.
229	RON PL8 GROWER D.8 ISO 7089 -6- A ZINC.
230	607004#NI NIPPLE 1,4MM
246	DAD00/6/M NUT GS UNI 5589 M6
249	83019 C330 VALVE OF ESCAPE
253	213635 PRESSURE SWITCH MDR1 250V-20A-50-60HZ
258	RON E6 GROWER D.6 ZINC. UNI 1751
259	2000336 COPPER PIPE D.10X1 C330/24-50 +DENT
266	83094 CAPACITOR MF 65 450V 60HZ
274	83023/DR1 MOTOR WINDING FOR PUMP C330 B5
300	83099 RUBBER HOSE 6X12 MT.0,20 ASS + FITTINGS
384	608102 CONNECTOR L MF 1/4
404	VTB 8X30 SCREW TCEI 8.8 UNI 5931 M8X20 ZINC.
408	83035 PU FOAM WHEEL D.220X75 HOLE D.26 BLACK
462	C330#C1 COMPRESSING HEAD 230V
469	83055 MOTOR HOUSING MEC90
470	83098 NIPPLE 1/4X1/4 SPECIALE PER COMPRESSORI
503	M0196 C330/EK660 CYLINDER
545	607504 FITTING MOD. 440 1/2 MFM
560	RON E4 GROWER D.4 ZINC. UNI 1751
561	6306/2RSC3150 BALL BEARING 6306 2RS C3
564	M0231 CRANKCASE 83132 FINISHED - CK330
565	607503 MALE THREADED PLUG MOD. TP 3/8
583	83051/3 THERMIC 25A MEC 90 PVC (MOT 1.5KW )
592	83054 ROTOR 1.5 15P (C330) 1.75KW- 110V
592	83053/6 MOTOR SHAFT Kw.1,75 230-110/50-60Hz
664	GFO1003 GRUP PRESSOSTATO MDR1 230V-50HZ MOD.003
679	83011/5 IMPELLER (C-CSK-ESK-E)
811	C330#F0 COMPRESSING HEAD 110V
895	201516/1V#31 SENCO RAL 3001 TANK 24 L
896	83024 UK PLUG ELECTRIC CORD 230V 1,5M
897	85048 UK PLUG ELECTRIC CORD 110V 1,5M