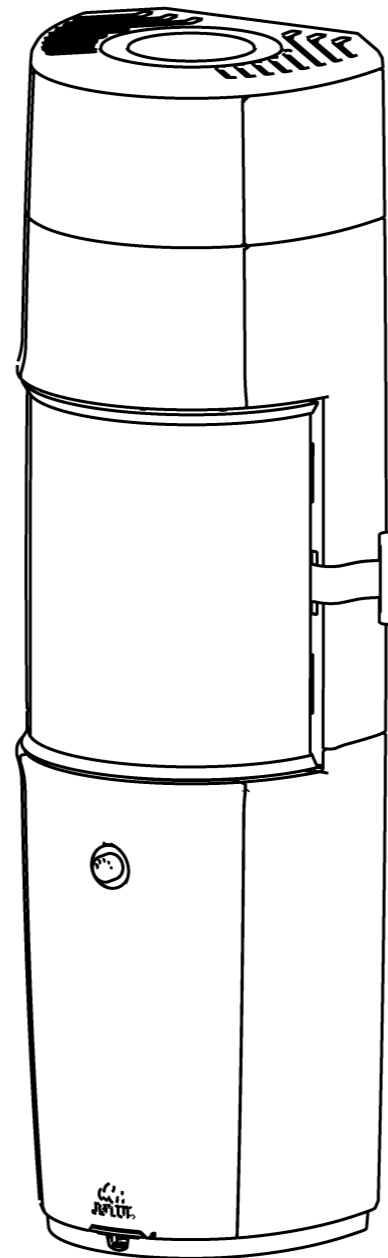
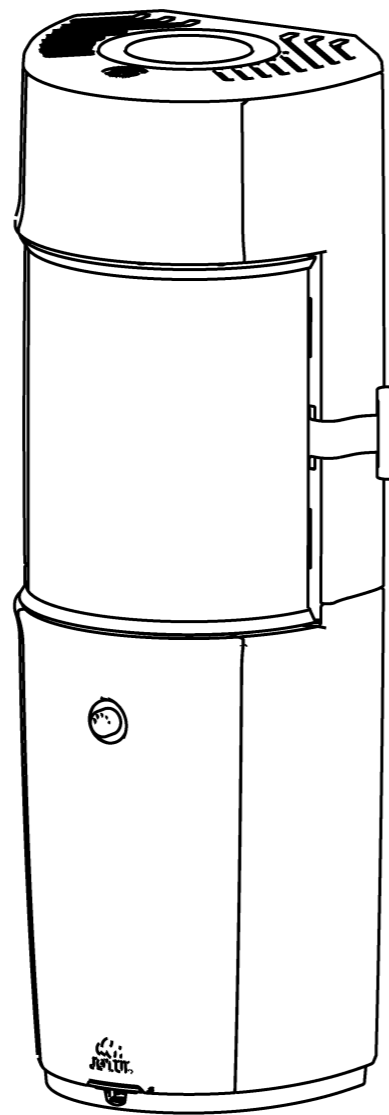


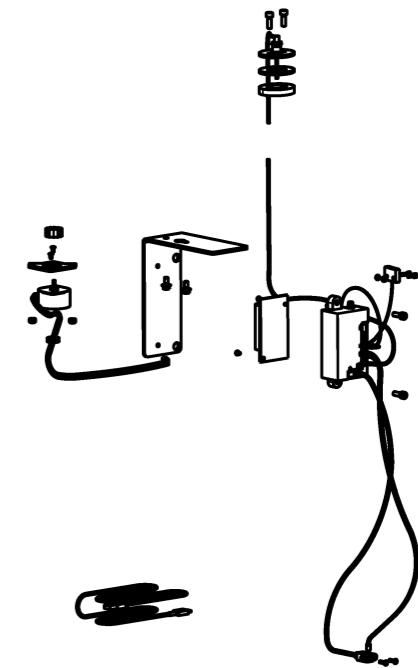
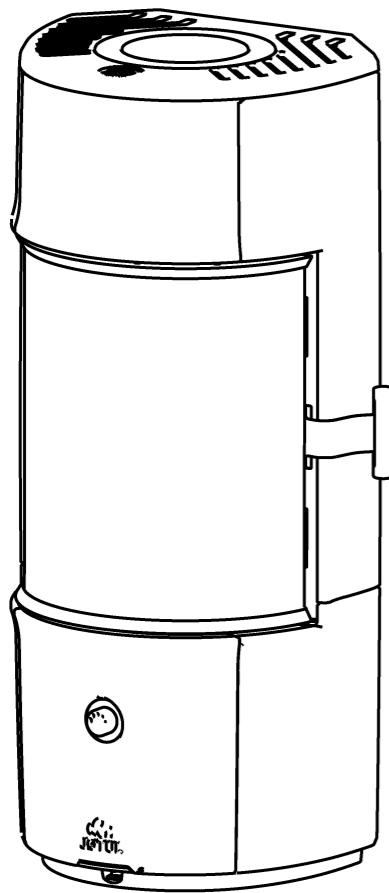
JØTUL F 176 ZENSORIC
Mantle page 2



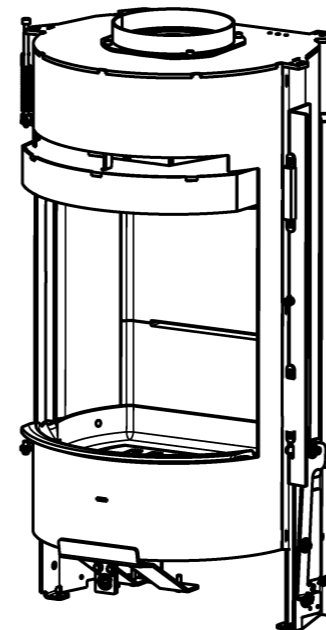
JØTUL F 174 ZENSORIC
Mantle page 2



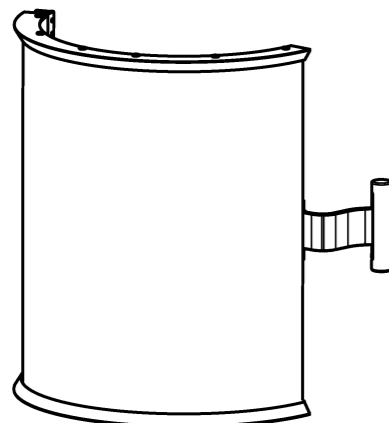
JØTUL F 171 ZENSORIC
Mantle page 2



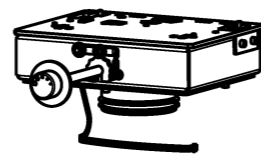
Burn Chamber Page 4



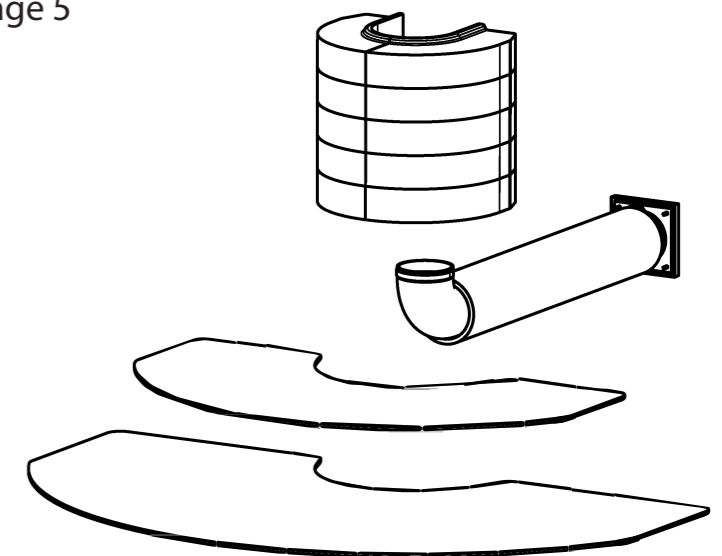
Door Page 3



Air Box
Page 3

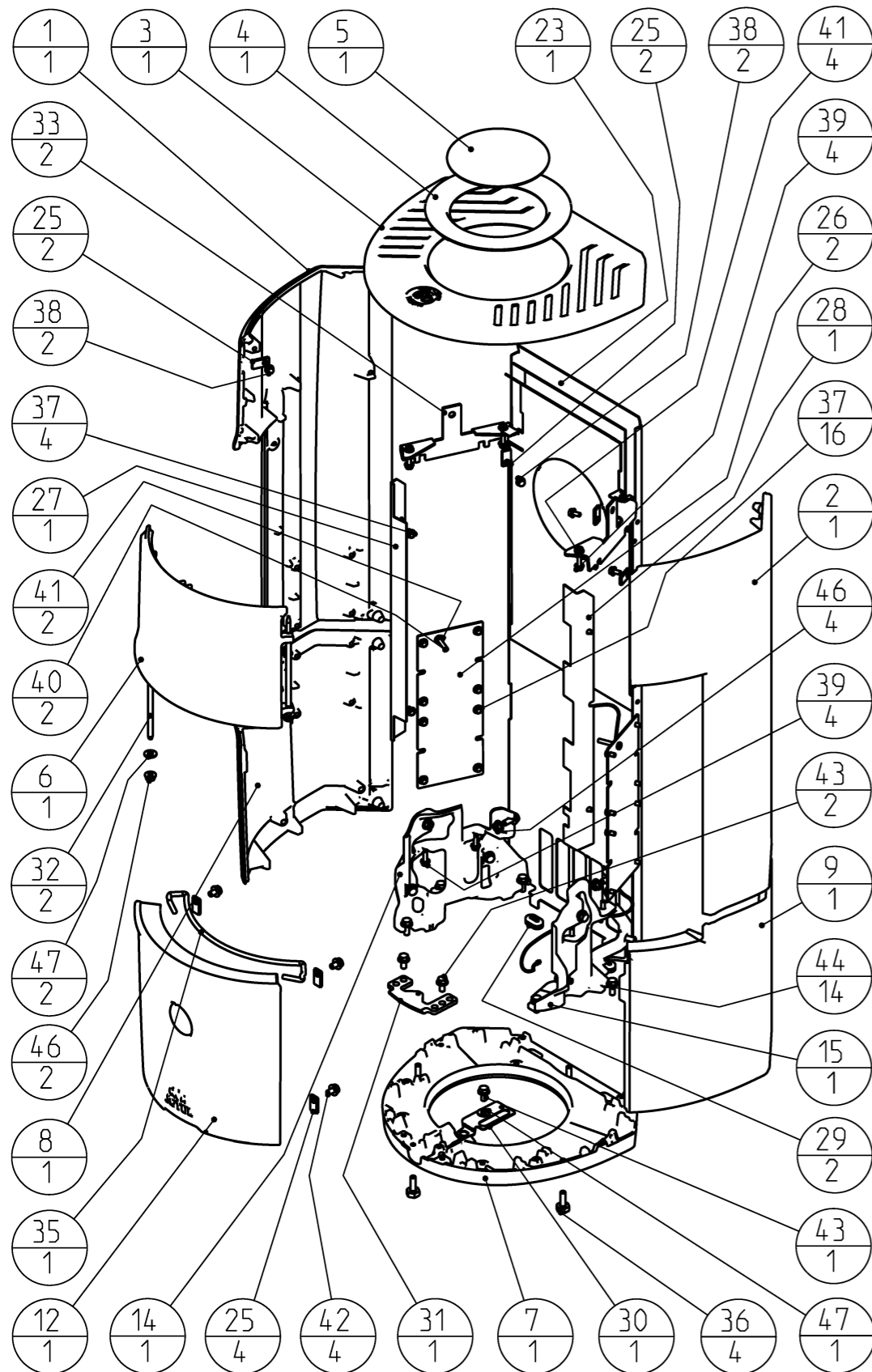


Optional equipment
Page 5



Partlist. Jøtul F 170

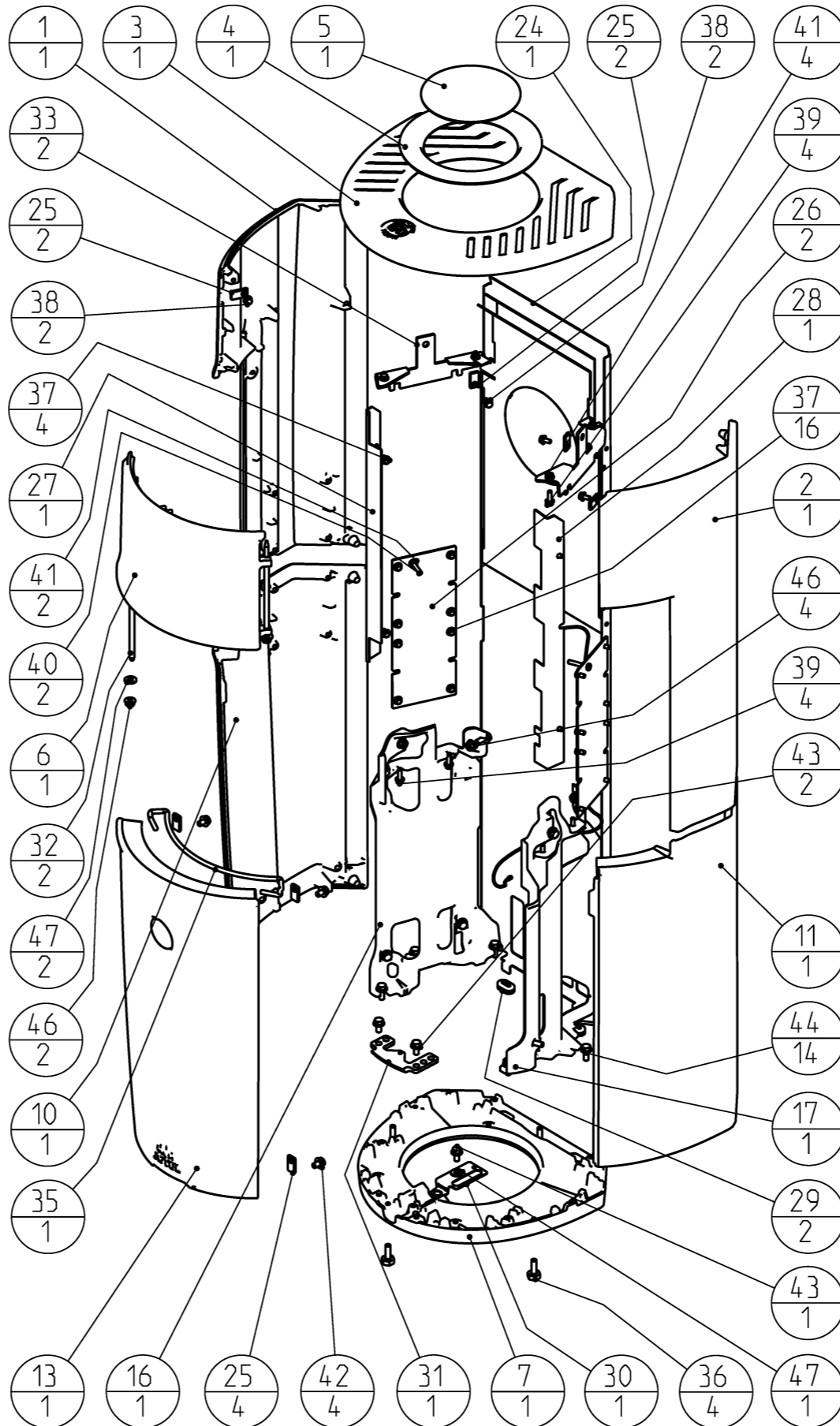
Mantle F 171



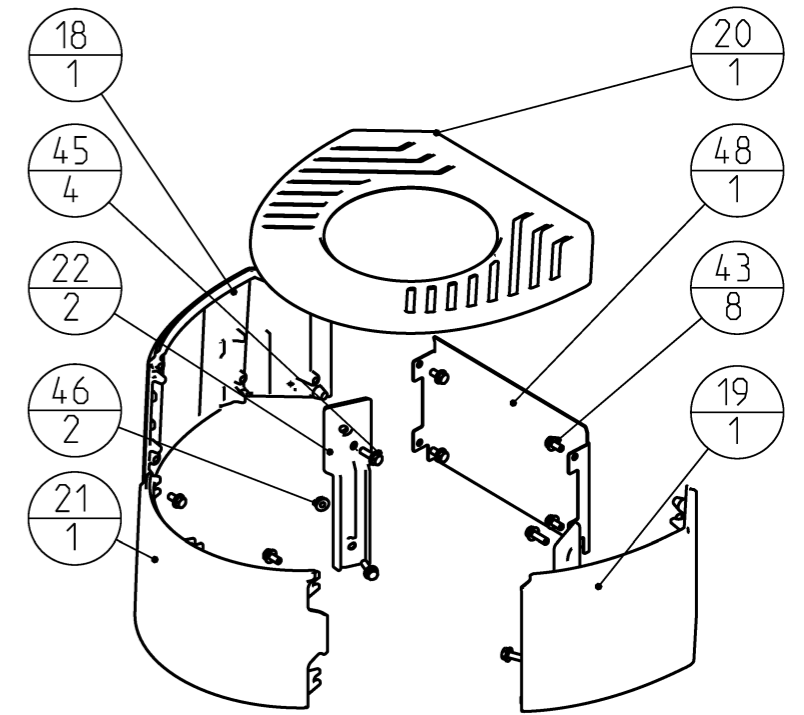
XX-Position number
YY-Quantity



Mantle F 174



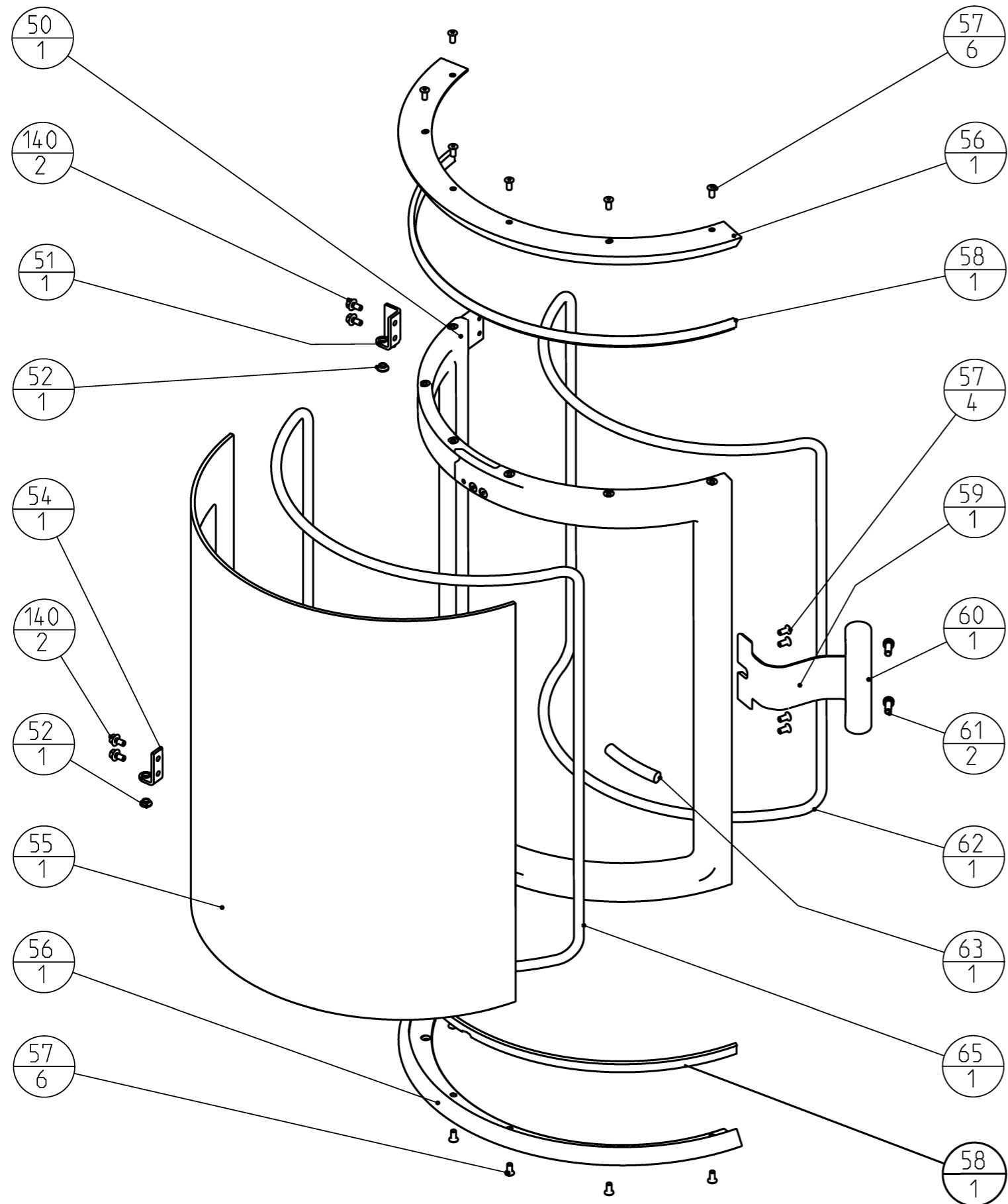
Mantle F 176 =
Mantle F 174 +
High Top F 176



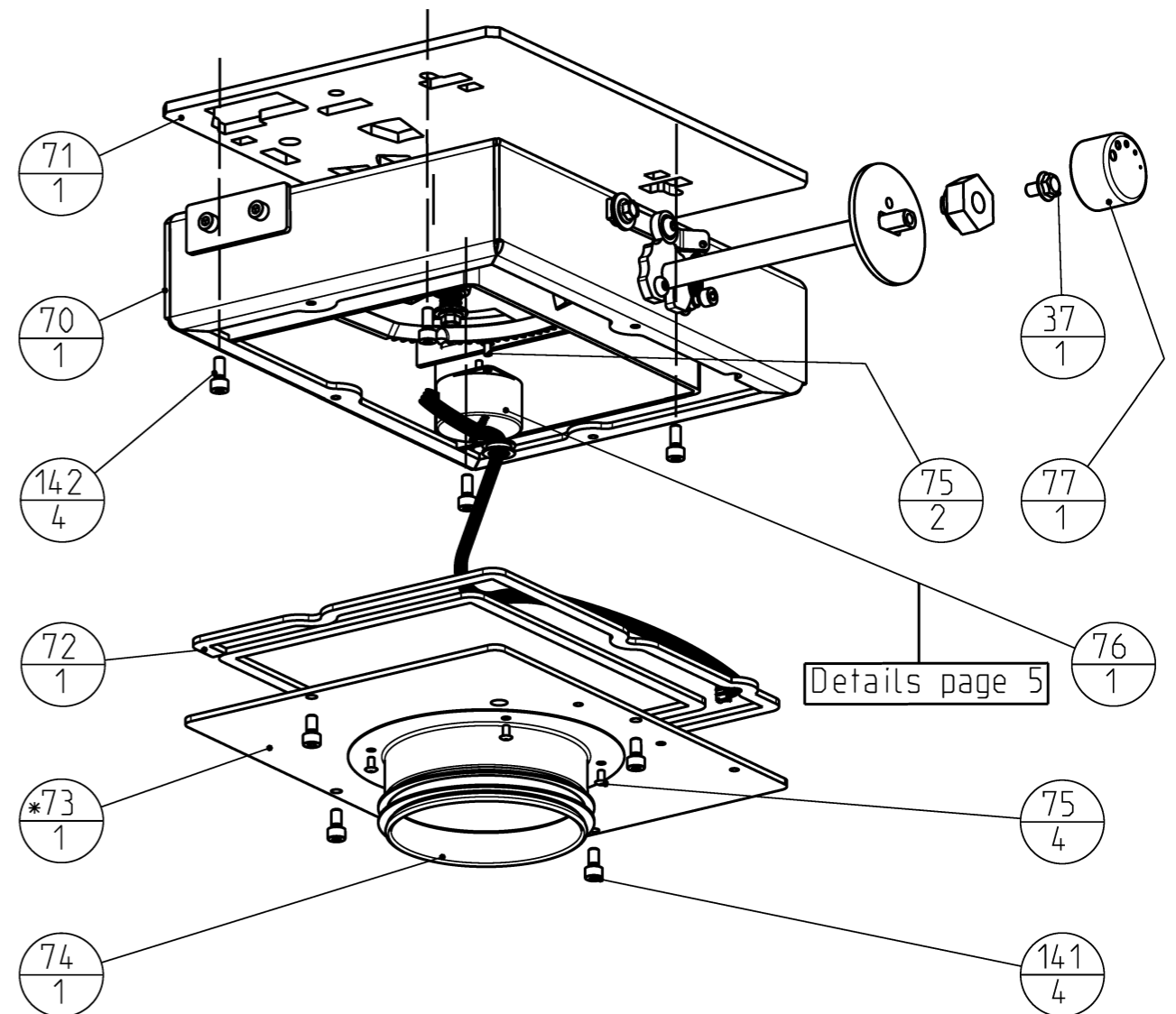
Regarding Top Plate Pos. 3
This is not used on High Top F 176 !

Partlist. Jøtul F 170		
Jøtul AS Fredrikstad, Norway	Draw. no: 900369-P00 Page. 2 of 5	Date: 01.09.2023

Door



Air Box



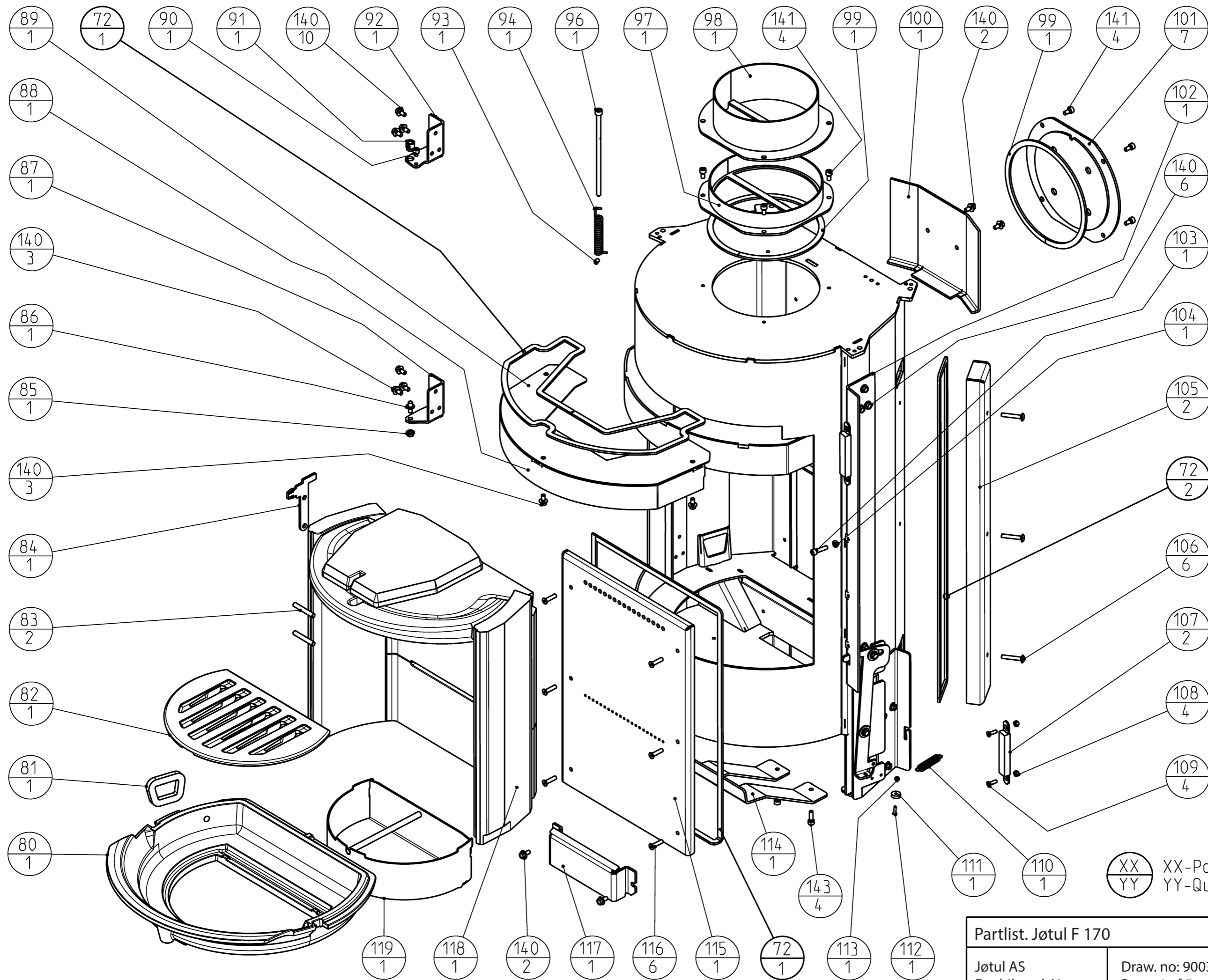
Details page 5

Pos 73,74 and 75. Use these parts from old F 170 stove.

* Pos. 73. Spare part from kit 51063046 do not fit. If part from old F 170 stove is not available, use 10063522.

XX/YY XX-Position number
YY-Quantity

Partlist. Jøtul F 170		
Jøtul AS Fredrikstad, Norway	Draw. no: 900369-P00 Page. 3 of 5	Date: 01.09.2023

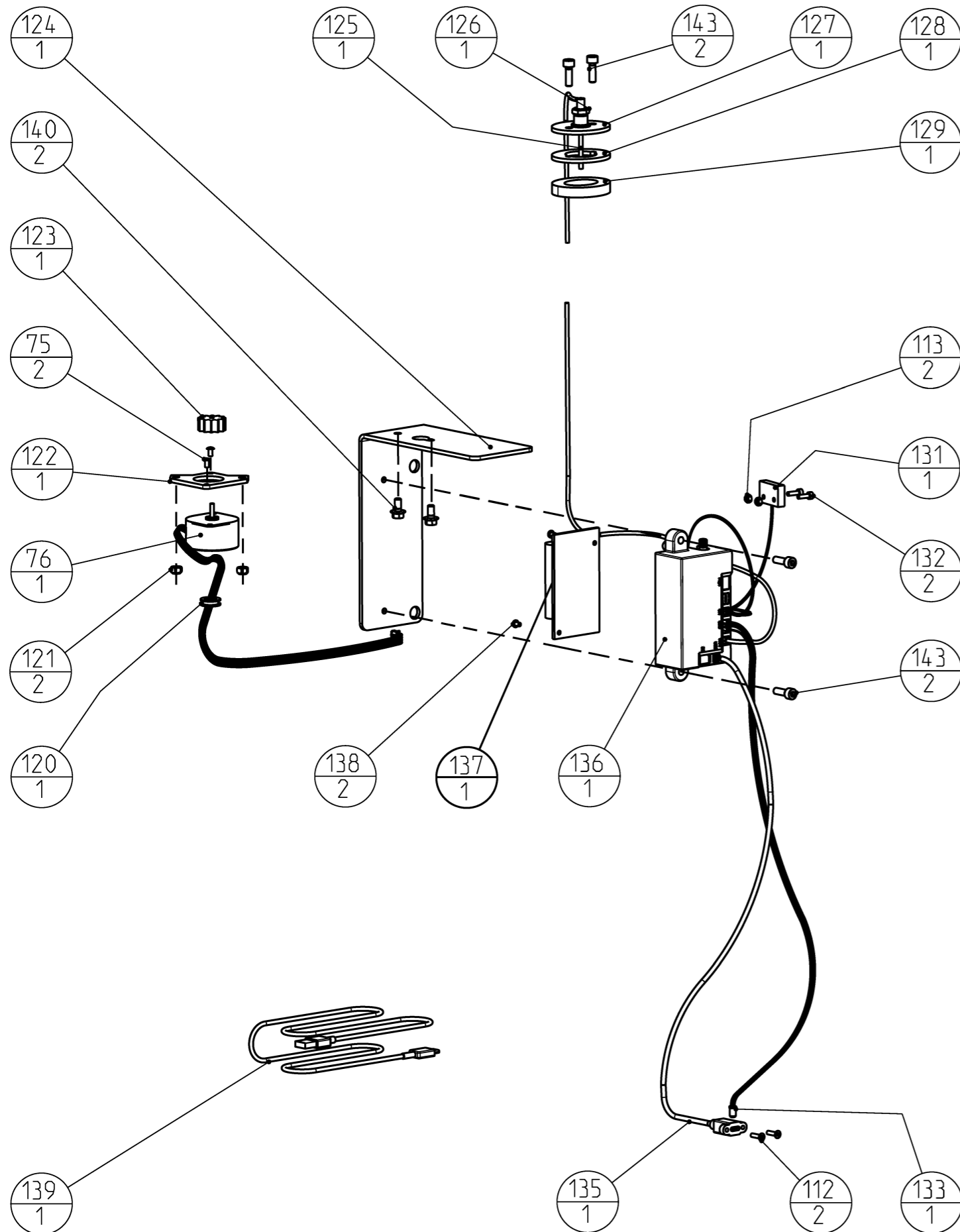


XX YY XX-Position number
YY-Quantity

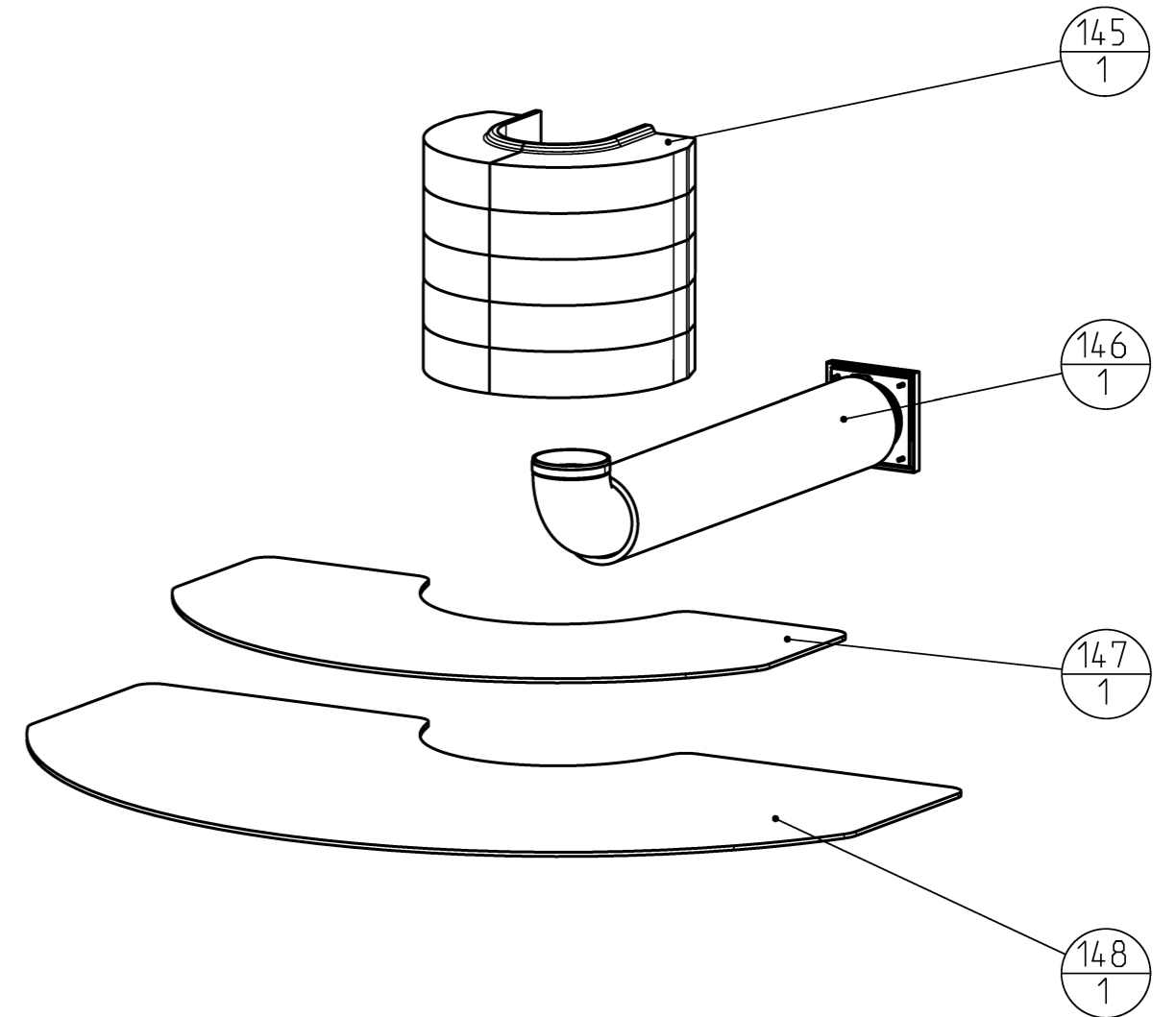
Partlist. Jøtul F 170

Jøtul AS Fredrikstad, Norway	Draw. no: 900369-P00 Page. 4 of 5	Date: 01.09.2023
---------------------------------	--------------------------------------	---------------------

Electronics



Optional equipment



XX	XX-Position number
YY	YY-Quantity

Partlist. Jøtul F 170

Jøtul AS
Fredrikstad, Norway

Draw. no: 900369-P00
Page. 5 of 5

Date:
01.09.2023