

Nomenclature des pièces détachées / Exploded view

JØTUL PF 711

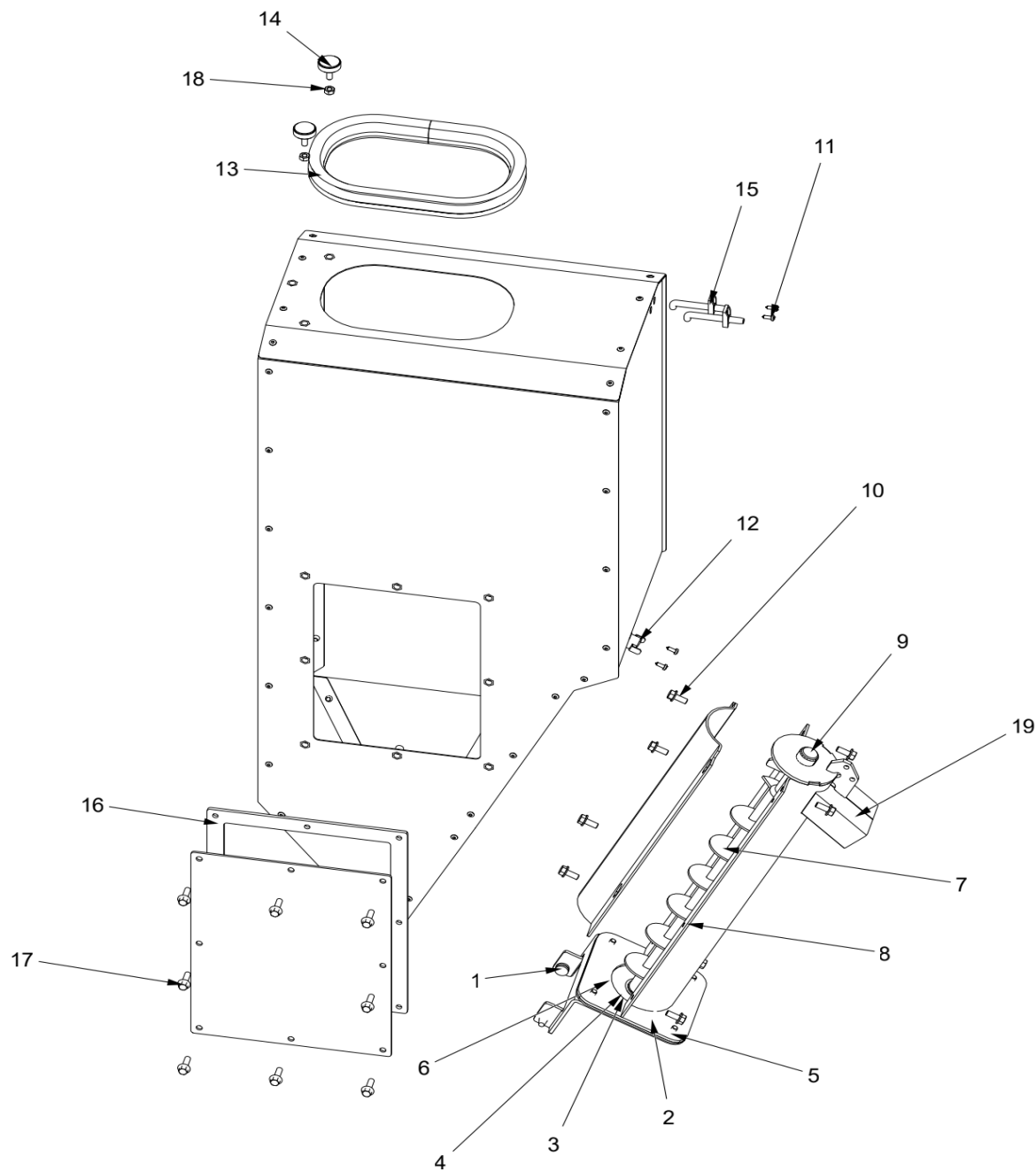


N°	CODICE	DESCRIZIONE IT	DESCRIZIONE EN
0	03B00070A	PORTA COMPLETA PF711	DOOR ASSEMBLY PF711
1	44061-R	TRECCIA TRICOVET GRIGIA D.16	GREY TRICOVET BRAID D.16
1	44061-R1	TRECCIA TRICOVET GRIGIA D.16	GREY TRICOVET BRAID D.16
2	44064-R	NASTRO DI VETRO TRICOTEE 8X3	TRICOTEE GLASS TAPE 8X3
2	44064-R1	NASTRO DI VETRO TRICOTEE 8X3	TRICOTEE GLASS TAPE 8X3
3	70B00057N	VETRO PIANO CERAMICO	CERAMIC FLAT GLASS
4	PNGN00008	GUARNIZIONE BLACK TEX NERA	BLACK TEX GASKET
5	03G00028N	FERMAVETRO PF711	GLASS HOLDER PF711
6	03G00029N	PULIZIA VETRO PF711	GLASS CLEANING PF711
7	NE1185	VITE TCEI M5X10 UNI5931 8.8	HEXAGON SOCKET HEAD CAP SCREW M5X10 UNI5931 8.8

Nomenclature des pièces détachées / Exploded view

**JØTUL PF 711**





Nomenclature des pièces détachées / Exploded view

JØTUL PF 711

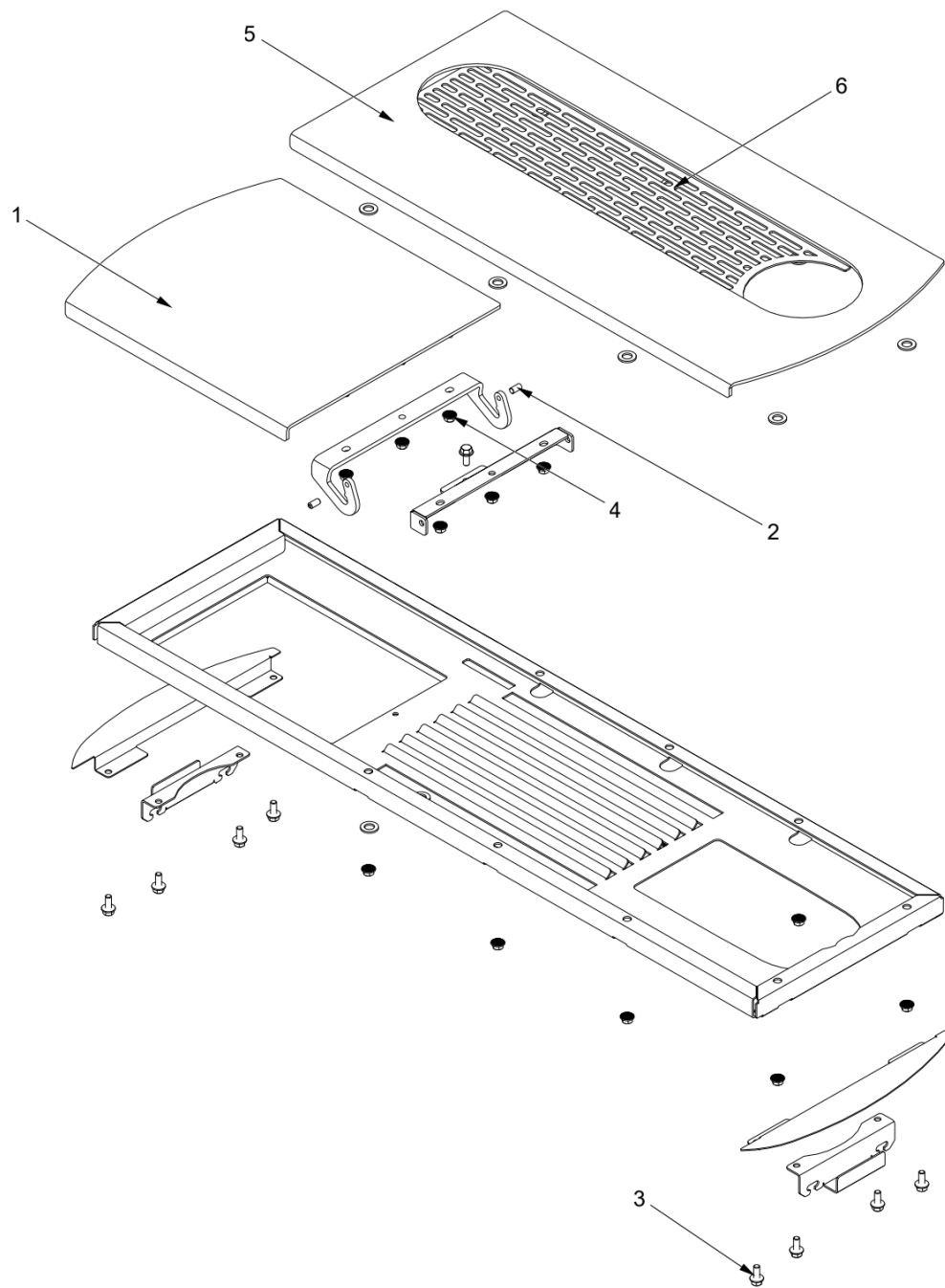


N°	CODICE	DESCRIZIONE IT	DESCRIZIONE EN
0	08X00105A	TRAMOGGIA E CARICAMENTO PELLET	HOPPER AND PELLET LOADING
1	66140	GOMMINO PARACOLPI 2 ANELLI	SHOCK ABSORBER RUBBER 2 RINGS
2	070-13-008N	PIASTRA MOTORIDUTTORE	GEARMOTOR PLATE
3	66139	BUSSOLA MOTORIDUTTORE	GEARMOTOR BUSH
4	NE1066	GRANO PUN.CON.45H 8X16 UNI5927	CONICAL TIP GRUB SCREW 45H 8X16 UNI5927
5	NE1236	VITE AUTOFORMANTE TE TF M5X12	SELF-TAPPING HEX HEAD SCREW TF M5X12
6	44000	GOMMA DISTANZIALE	SPACER RUBBER
7	05C00003S	COCLEA	FEED SCREW
8	13B00010S-BLK	CONVOGLIATORE PELLET	PELLET CONVEYOR
9	66094	BOCCOLA HIMON TFF 161812 MUEO	HIMON BUSHING TFF 161812 MUEO
10	NE1236	VITE AUTOFORMANTE TE TF M5X12	SELF-TAPPING HEX HEAD SCREW TF M5X12
11	NE1079	VITE AUTOFILET.3.9X9,5 DIN7981	SELF-TAPPING SCREW 3.9X9.5 DIN7981
12	PNEH00009	TERMOSTATO CAMPINI COREL	COREL CAMPINI THERMOSTAT
13	PNGS00004	GUARNIZIONE EMKA EPDM 1011-41	EMKA GASKET EPDM 1011-41
14	06B00072N	MAGNETE SM36.3NI00.2060GM	MAGNET SM36.3NI00.2060GM
15	PNSS00002	SONDA AD ANGOLO IN RYTON	RYTON CORNER PROBE
16	036-00-001N	GUARNIZ.SILICON.RES.210 NERO	RES.SILICONE GASKET 210 BLACK
17	NE1023	VITE TE FL. M5X16 DIN 6921	HEX HEAD SCREW FL. M5X16 DIN 6921
18	NE1126	DADO M5 UNI5588 ZN BIANCO	NUT M5 UNI5588 ZN WHITE
19	05C00001A	COCLEA ASSEMBLATA	ASSEMBLED AUGER

Nomenclature des pièces détachées / Exploded view

**JØTUL PF 711**





Nomenclature des pièces détachées / Exploded view

JØTUL PF 711

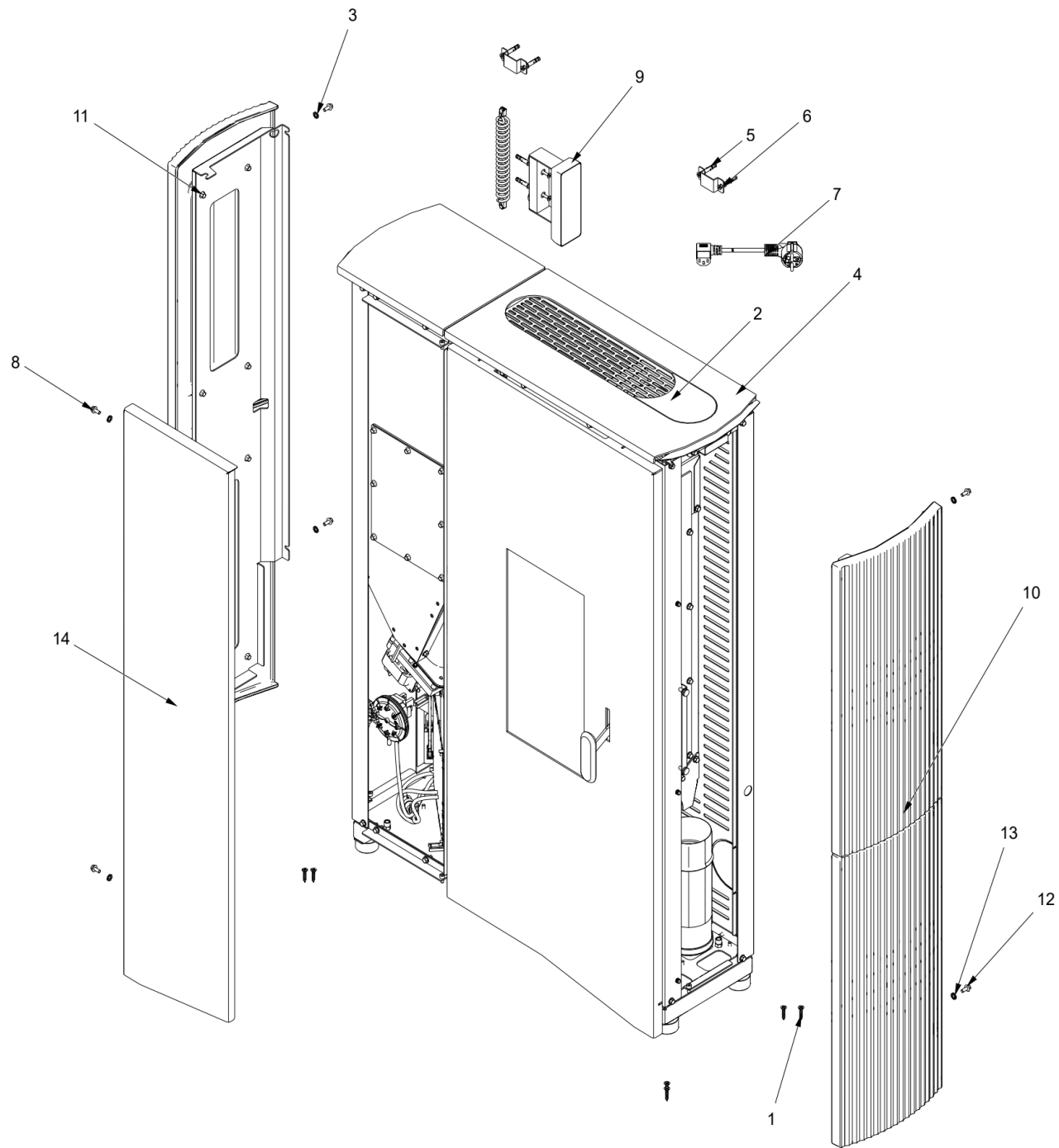


N°	CODICE	DESCRIZIONE IT	DESCRIZIONE EN
0	10F00041A	TOP ASSEMBLATO PF711	ASSEMBLED TOP PF711
1	10F00040A-BGK	COPERCHIO PELLET ASSEMBLATO PF711	ASSEMBLED PELLET COVER PF711
2	NE1002	GRANO M5X10 ESLOOK P.PIATTA	GRAIN M5X10 ESLOOK P.FLAT
3	NE1236	VITE AUTOFORMANTE TE FL. M5x12 FOSFATATA NERA DIN7500 BN3:	SELF-TAPPING HEX HEAD SCREW FL. M5x12 PHOSPHATED BLACK DIN7500 B
4	NE1402	DADO FLANG.CL.8 M5 ISO4161 ZNB	FLANGE NUT CL.8 M5 ISO4161 ZNB
5	10F00039A-BGK	TOP FISSO ASSEMBLATO PF711	ASSEMBLED FIXED TOP PF711
6	NE1074	ROND.PIANA ZN 8X15 UNI 6592	FLAT WASHER ZN 8X15 UNI 6592

Nomenclature des pièces détachées / Exploded view

**JØTUL PF 711**





Nomenclature des pièces détachées / Exploded view

JØTUL PF 711



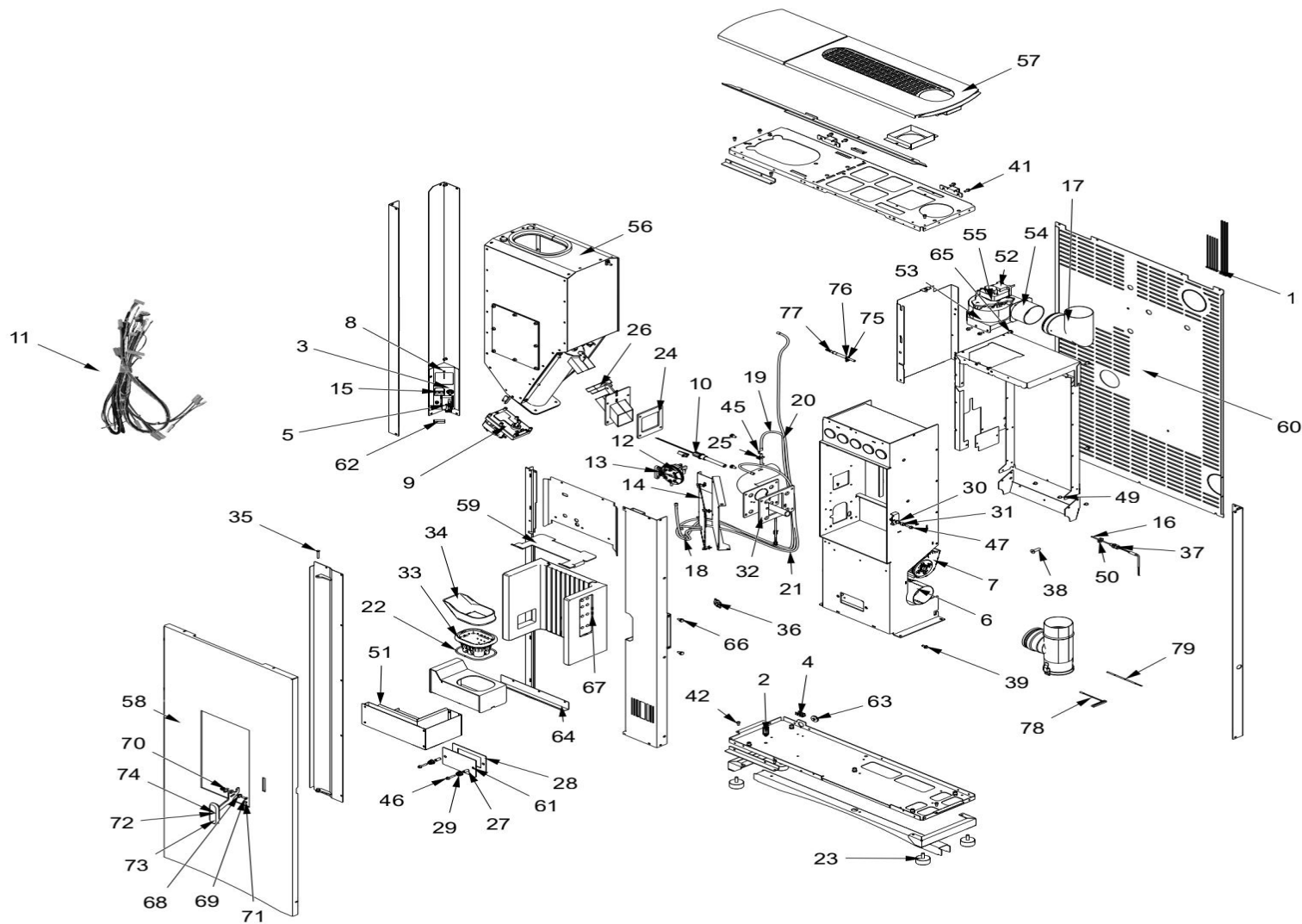
N°	CODICE	DESCRIZIONE IT	DESCRIZIONE EN
0	30027FJ01_A	PF711 ( JOTUL code: 30064470 )	PF711 ( JOTUL code: 30064470 )
1	NE1308	VITE ST.4,5X25 DIN7982C	SELF-TAPPING SCREW 4/5X25 DIN7982C
2	NE1236	VITE AUTOFORMANTE TE TF M5X12	SELF-TAPPING HEX HEAD SCREW TF M5X12
3	NE1385	ROND.DENT.D.5 DIN 6798 NERA	TOOTHED WASHER D.5 DIN 6798 BLACK
4	Z0063AJ00	Z STRUTTURA PF711	Z STRUCTURE PF711
5	NE1238	TASSELLO NYLON 6 C7BORDINO	NYLON DOWEL 6 C7BORDINO
6	NE1239	VITE TPS+C.15 4X35 ZN NERA	SCREW TPS+C.15 4X35 ZN BLACK
7	PNEF00004	SPINA SCHUKO 90° H05RR-F +IEC	SPINA SCHUKO 90° H05RR-F +IEC
8	NE1236	VITE AUTOFORMANTE TE TF M5X12	SELF-TAPPING HEX HEAD SCREW TF M5X12
9	K0125AZ00	KIT DISPLAY M31	M31 DISPLAY KIT
10	10B00093A	PANNELLO LATERALE DX PF711	RIGHT SIDE PANEL PF711
11	10B00094A	PANNELLO LATERALE SX PF711	LEFT SIDE PANEL PF711
12	NE1188	VITE TE FL. M5X12 DIN 6921	HEX HEAD SCREW FL. M5X12 DIN 6921
13	NE1385	ROND.DENT.D.5 DIN 6798 NERA	TOOTHED WASHER D.5 DIN 6798 BLACK
14	10B00045S-BGK	PANNELLO FRONTALE SX PF711	LEFT FRONTAL PANEL PF711

Nomenclature des pièces détachées / Exploded view

**JØTUL PF 711**







Nomenclature des pièces détachées / Exploded view

JØTUL PF 711



N°	CODICE	DESCRIZIONE IT	DESCRIZIONE EN
0	Z0063AJ00	Z STRUTTURA PF711	Z STRUCTURE PF711
1	44009	FASCETTA STRINGITUBO CV140K	HOSE CLAMP CV140K
2	PNEB00004	FERMACAVO A CHIUSURA DALL'ALTO 10695AA00	TOP-LOCKING CABLE HOLDER 10695AA00
3	PNEC00072	PIGTAIL PG7 CON CONTRODADO	PIGTAIL PG7 WITH LOCKNUT
4	PNEH00004	LINGUETTA PER MESSA A TERRA	EARTHING TAB
5	55007-KIT	INTER.POLYSNAP BZ01001/S+FUSIB	INTER.POLYSNAP BZ01001/S+FUSIB
6	PNEE00009	CAF15Y-156LS Estrattore fumi	CAF15Y-156LS Smoke extractor
7	PNEA00007	THS24B5-040K Ventilatore tangenziale	THS24B5-040K Tangential Fan
8	PNVS00003	RIVETTO PLASTICA NERA 9x5,5	BLACK PLASTIC RIVET 9x5.5
9	PNEG00012	MOTORIDUTTORE 2rpm CW - 230V 50Hz con sensore di HALL	GEARMOTOR 2rpm CW - 230V 50Hz with HALL sensor
10	04B00002N	CANDELETTA CERAMICA GRIGIA 230V - 280W	GREY CERAMIC SPARK PLUG 230V - 280W
11	PNEC00094	CABLAGGIO LINE	LINE WIRING
12	PNEH00005	PRESSOSTATO HUBA CONTROL TYPE 605 - 10 Pa	HUBA CONTROL PRESSURE SWITCH TYPE 605 - 10 Pa
13	PNEB00002	CLIP PER PRESSOSTATO HUBA TYPE 605	CLIP FOR HUBA PRESSURE SWITCH TYPE 605
14	PNEM00016	ASSIEME CENTRALINA [ ARIA ] + ANTENNA M31	CONTROL UNIT ASSEMBLY [ AIR ] + ANTENNA M31
15	PNEC00104	SDOPPIATORE TELEFONICO RJ12	TELEPHONE SPLITTER RJ12
16	55528	TERMOCOPPIA "K"IEC 584 E=1800	THERMOCOUPLE "K"IEC 584 E=1800
17	5700-00-106	CURVA 90°	90° CURVE
18	PNGS00005	TUBO SILICONE ROSSO 6x3.5 mm	RED SILICONE HOSE 6x3.5 mm
19	PNGS00005	TUBO SILICONE ROSSO 6x3.5 mm	RED SILICONE HOSE 6x3.5 mm
20	PNGS00006	TUBO SILICONE BIANCO 6x3.5 mm	WHITE SILICONE HOSE 6x3.5 mm
21	PNGS00006	TUBO SILICONE BIANCO 6x3.5 mm	WHITE SILICONE HOSE 6x3.5 mm
22	PNGT00006	TRECCIA ARTICA NERA D.4	BLACK ARCTIC BRAID D.4
23	88004	PIEDINO IN GOMMA	RUBBER FOOT
24	40A00125N	GUARNIZIONE SCIVOLO PELLET	PELLET RAMP GASKET
25	PNSS00002	SONDA AD ANGOLO IN RYTON	RYTON CORNER PROBE
26	40B00006N	GUARNIZ.COCLEA SILICONE	SILICONE AUGER GASKET
27	100-66-010N	BUSSOLA	BUSH
28	100-11-046N	GUARN CARTA SILCAWOOL SP.5	SILCAWOOL PAPER GASKET TH.5
29	3000-00-092	MOLLA	SPRING
30	010-03-015N	BUSSOLA CHIUSURA	BUSH CLOSURE

Nomenclature des pièces détachées / Exploded view

**JØTUL PF 711**



31	3800-00-138	ROTELLA	WHEEL
32	40A00144N	GUARNIZIONE PORTA BRACIERE	FIRE POT DOOR GASKET
33	07B00019N	BRACIERE GHISA 6/8 kW - LINE	CAST IRON FIRE POT 6/8 kW - LINE
34	07B00017N	CORONA LATERALE BRACIERE 6/8 kW	FIRE POT SIDE CROWN 6/8 kW
35	014-66-015N	PERNO	PIVOT
36	PNSS00005	FILTRO ARIA 240 micron PER SCHEDE M31	AIR FILTER 240 microns FOR M31 BOARD
37	018-66-008N	RACCORDO A COMPRESSIONE 1/8GAS	COMPRESSION FITTING 1/8GAS
38	40B00008N	CAPPUCCIO SILICONE KAP 204 4,50x15x25	SILICONE CAP KAP 204 4.50x15x25
39	NE1236	VITE AUTOFORMANTE TE FL. M5x12 FOSFATATA NERA DIN7500	SELF-TAPPING HEX HEAD SCREW FL. M5x12 PHOSPHATED BLACK D
41	NE1188	VITE TE FL. M5X12 DIN 6921	HEX HEAD SCREW FL. M5X12 DIN 6921
42	NE1185	VITE TCEI 8.8 M5X10 UNI 5931 BN.	HEXAGON SOCKET HEAD CAP SCREW 8.8 M5X10 UNI 5931 BN.
45	NE1079	VITE AUTOFILET.3.9X9,5 DIN7981	SELF-TAPPING SCREW 3.9X9.5 DIN7981
46	NE1277	VITE A FLANGIA DIN 6921 - M5 x 25 ZNN	FLANGE SCREW DIN 6921 - M5 x 25 ZNN
47	NE1028	VITE TE FL. M5X20 DIN 6921	HEX HEAD SCREW FL. M5X20 DIN 6921
49	NE1220	VITE TE FL.4.8X9.5 UNI6950	HEX HEAD SCREW FL.4.8X9.5 UNI6950
50	NE1369	DADO ESAGONALE CL.8 1/8 GASxCH.14xH.4 ZG	HEXAGONAL NUT CL.8 1/8 GASxCH.14xH.4 ZG
51	12B00016A	CASSETTO CENERE LINE	LINE ASH DRAWER
52	28B00020A	CANALIZZAZIONE ASSEMBLATA LINE	LINE ASSEMBLED DUCTING
53	NE1220	VITE TE FL.4.8X9.5 UNI6950	HEX HEAD SCREW FL.4.8X9.5 UNI6950
54	071-28-001S-BLK	ASS.FLANGIA USCITA ARIA VERNICIATA	PAINTED AIR OUTLET FLANGE ASS.
55	55330	VENTOLA EBM 55460 71220	FAN EBM 55460 71220
56	08X00105A	TRAMOGGIA E CARICAMENTO PELLETTI	HOPPER AND PELLETT LOADING
57	10F00041A	TOP ASSEMBLATO PF711	ASSEMBLED TOP PF711
58	03B00070A	PORTA COMPLETA PF 711	DOOR ASSEMBLY PF 711
59	15X00010N	TAGLIAFIAMMA	FLAME TRAP
60	11B00134N	CARTER POSTERIORE	REAR CRANKCASE

Nomenclature des pièces détachées / Exploded view

**JØTUL PF 711**



61	100-11-045N	TAPPO	CUP
62	11J00198N	SUPPORTO SPLITTER DISPLAY	DISPLAY SPLITTER SUPPORT
63	014-66-016N	GUARNIZ.PASSACAVO DGC-TPE 13.5	CABLE GLAND GASKET DGC-TPE 13.5
64	11H00032N-BLK	SCIVOLO CENERE	ASH RAMP
65	66156	GOMMINO PARACOLPI 1 ANELLO	RING BUMPER 1 RUBBER
66	66140	GOMMINO PARACOLPI 2 ANELLI	SHOCK ABSORBER RUBBER 2 RINGS
67	14A00010A	KIT VERMICULITE LINE	LINE VERMICULITE KIT
68	100-66-018N	BUSSOLA	BUSH
69	NE1053	VITE SV.PIANA M5 x 16 UNI 5933	COUNTERSUNK FLAT SCREW M5 x 16 UNI 5933
70	NE1153	RONDELLA ELASTICA CONVESSA D10.5X18 SP.0.8 DIN 137A	CONVEX SPRING WASHER D10.5X18 SP.0.8 DIN 137A
71	NE1002	GRANO M5X10 ESLOOK P.PIATTA	GRAIN M5X10 ESLOOK P.FLAT
72	06A00011S-BPK	MANIGLIA SALDATA PF980	WELDED HANDLE PF980
73	NE1195	VITE SV.EI PIANA M4X12 UNI5933	FLAT COUNTERSUNK HEX HEAD SCREW M4X12 UNI5933
74	06A00040N-BWG	IMPUGNATURA	GRIP
75	PNSS00001	PRESA DI PRESSIONE	PRESSURE PLUG
76	44006	TUBO SILICONE BIANCO Ø8xØ5 L=50 mm.	WHITE SILICONE TUBE Ø8xØ5 L=50 mm.
77	PNSS00006	RACCORDO PORTAGOMMA 6-8	RUBBER HOLDER FITTING 6-8
78	PNES00008	SONDA AMBIENTE NTC, L=1000mm CON CONNETTORE STOCKO	NTC ROOM PROBE, L=1000mm WITH STOCKO CONNECTOR
79	PNES00009	SONDA FUMI J, L=1000mm SENZA CONNETTORE	FLUE GAS PROBE J, L=1000mm WITHOUT CONNECTOR

Nomenclature des pièces détachées / Exploded view

**JØTUL PF 711**

