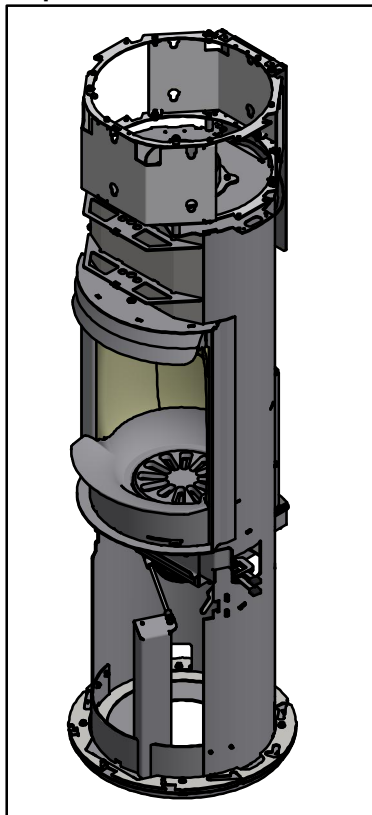
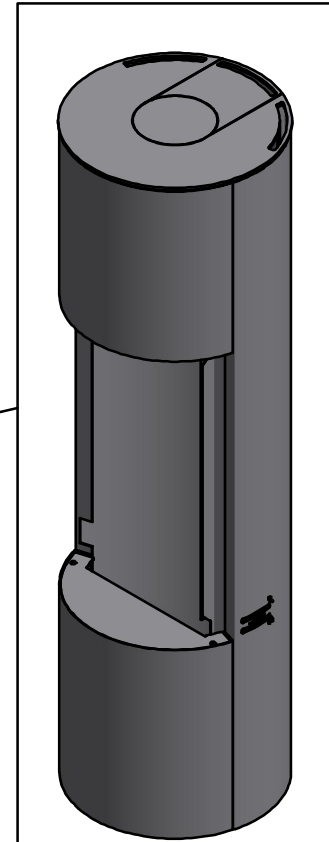


Spare parts & Accessories: Scan 84, Classic maxi

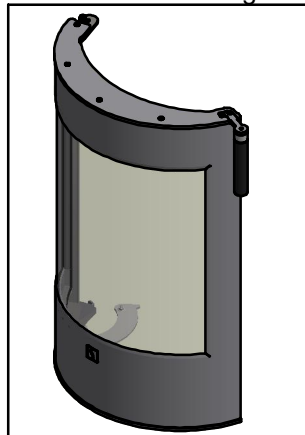
Korpus Page: 2-8



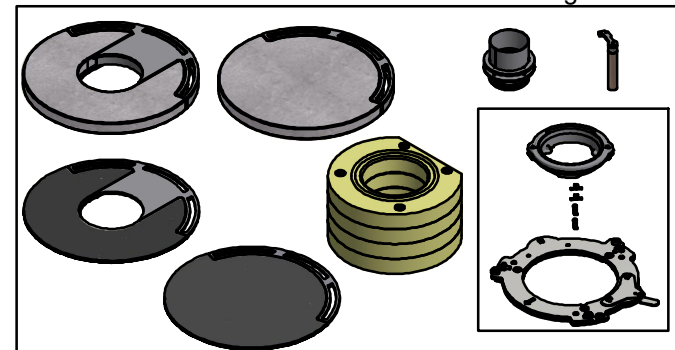
Mantle Page: 10



Modern door Page: 9



Accessories Page: 11-12

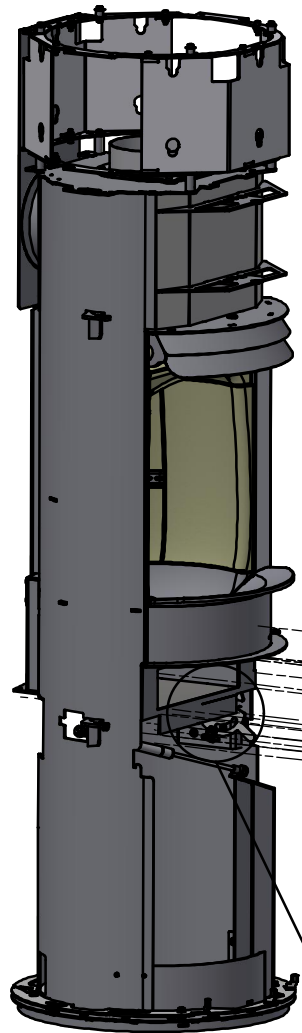


Date: 28-09-2023 Constructed /Changed by: rin/sr

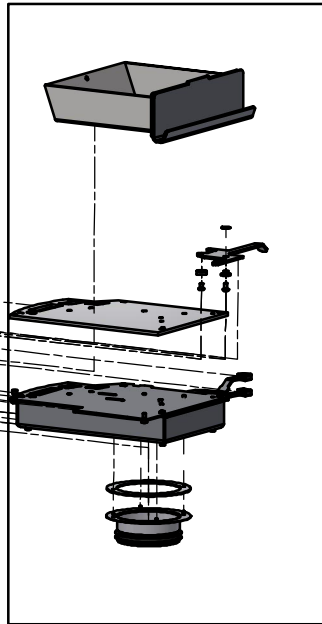
Drawing number: 90184104

SCAN A/S
DK-5492 Vissenbjerg©

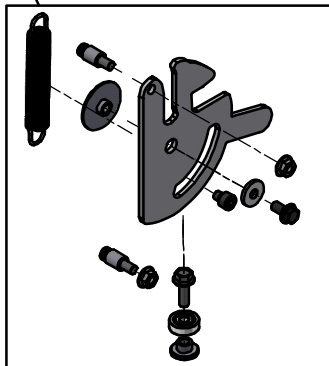




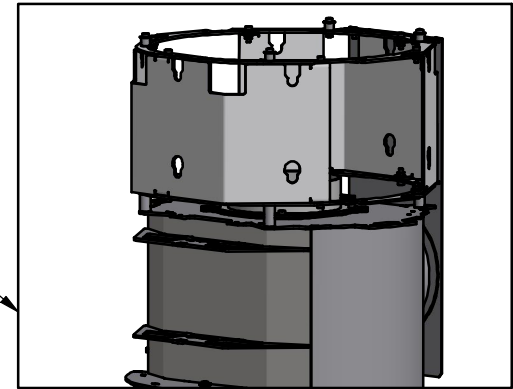
Page 4



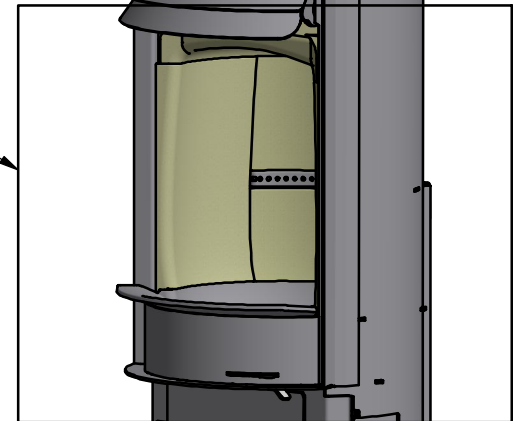
Page 3



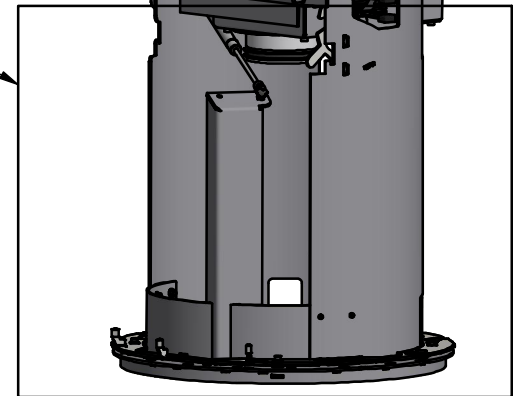
Page 4



Page 5



Page 6

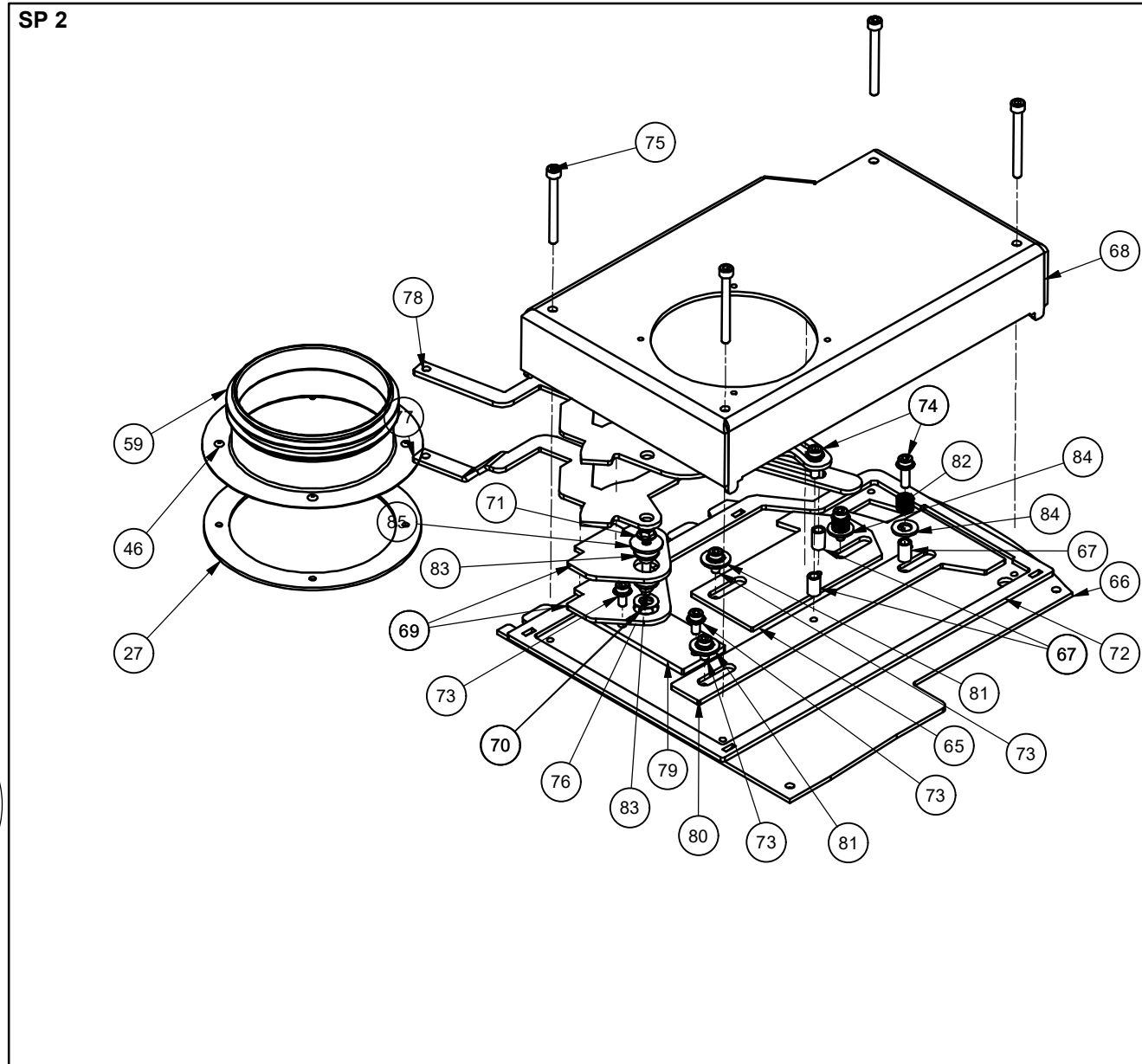
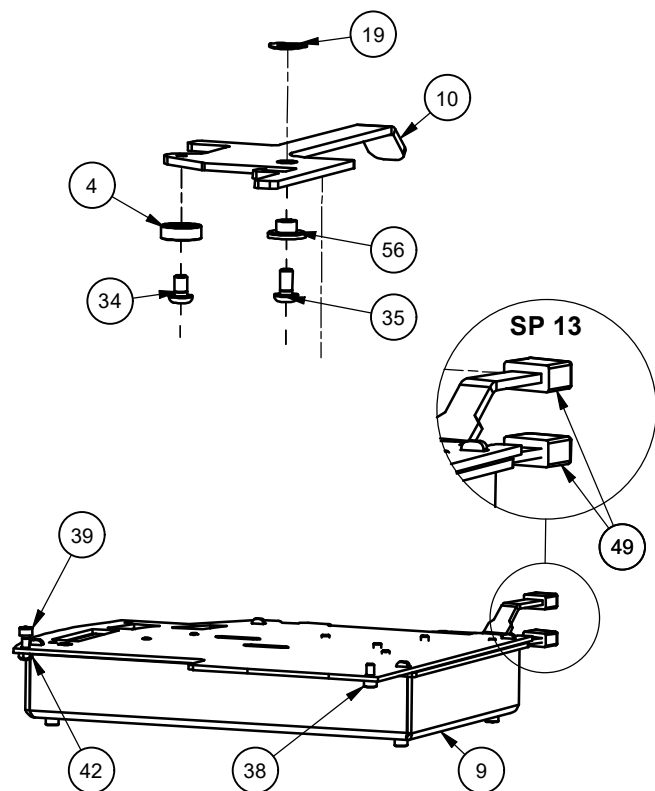
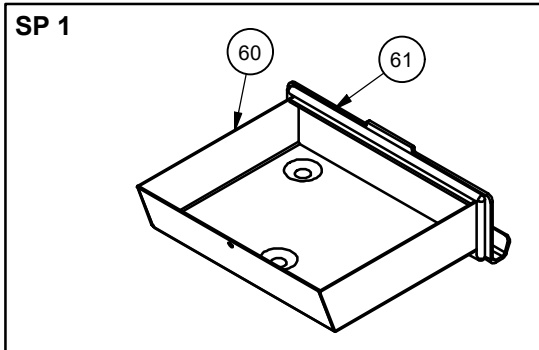


Page 7

| | | |
|--------------------------|---------------------------------|---|
| Date: 28-09-2023 | Constructed /Changed by: rin/sr | SCAN A/S DK-5492 Vissenbjerg© |
| Drawing number: 90184104 | | |

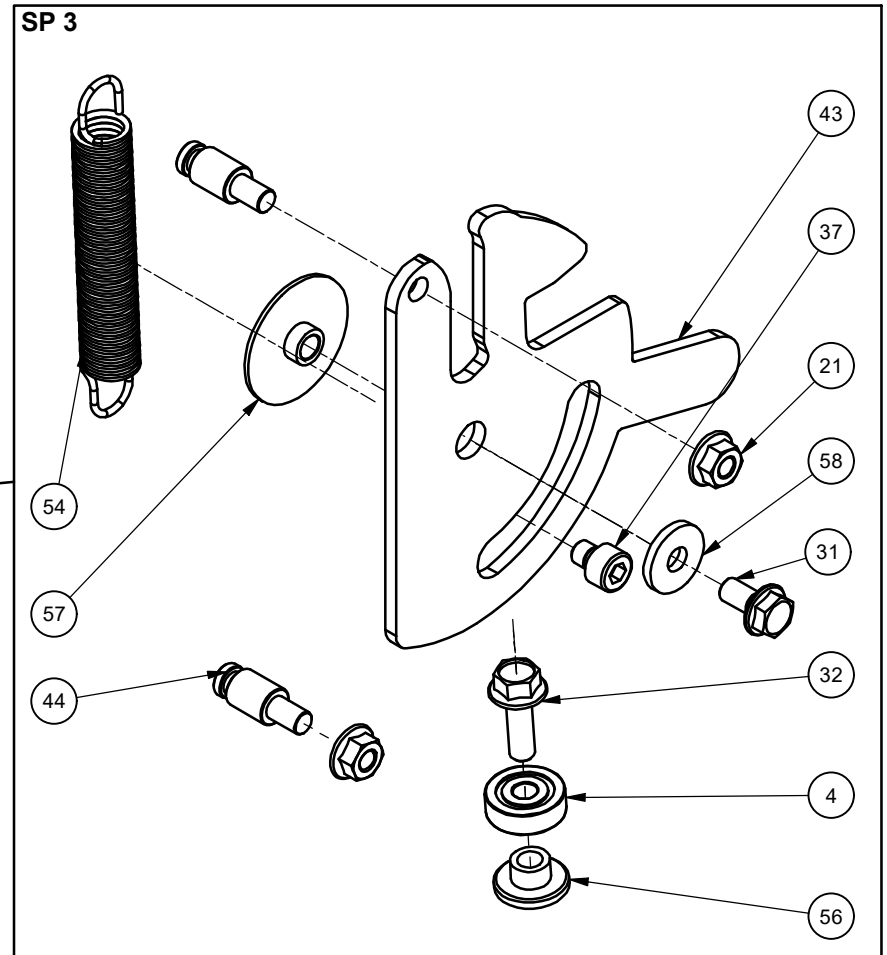
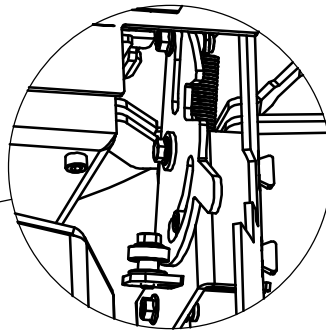
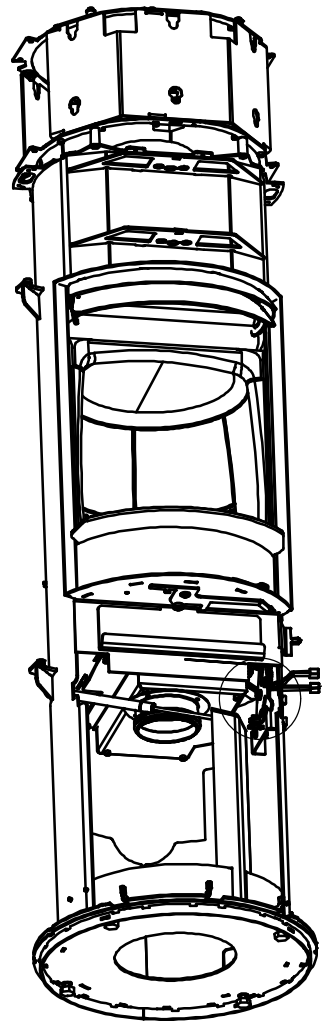


Spare parts & Accessories: Scan 84, Classic maxi



| | | |
|--------------------------|---------------------------------|---|
| Date: 28-09-2023 | Constructed /Changed by: rin/sr | SCAN A/S DK-5492 Vissenbjerg© |
| Drawing number: 90184104 | | |



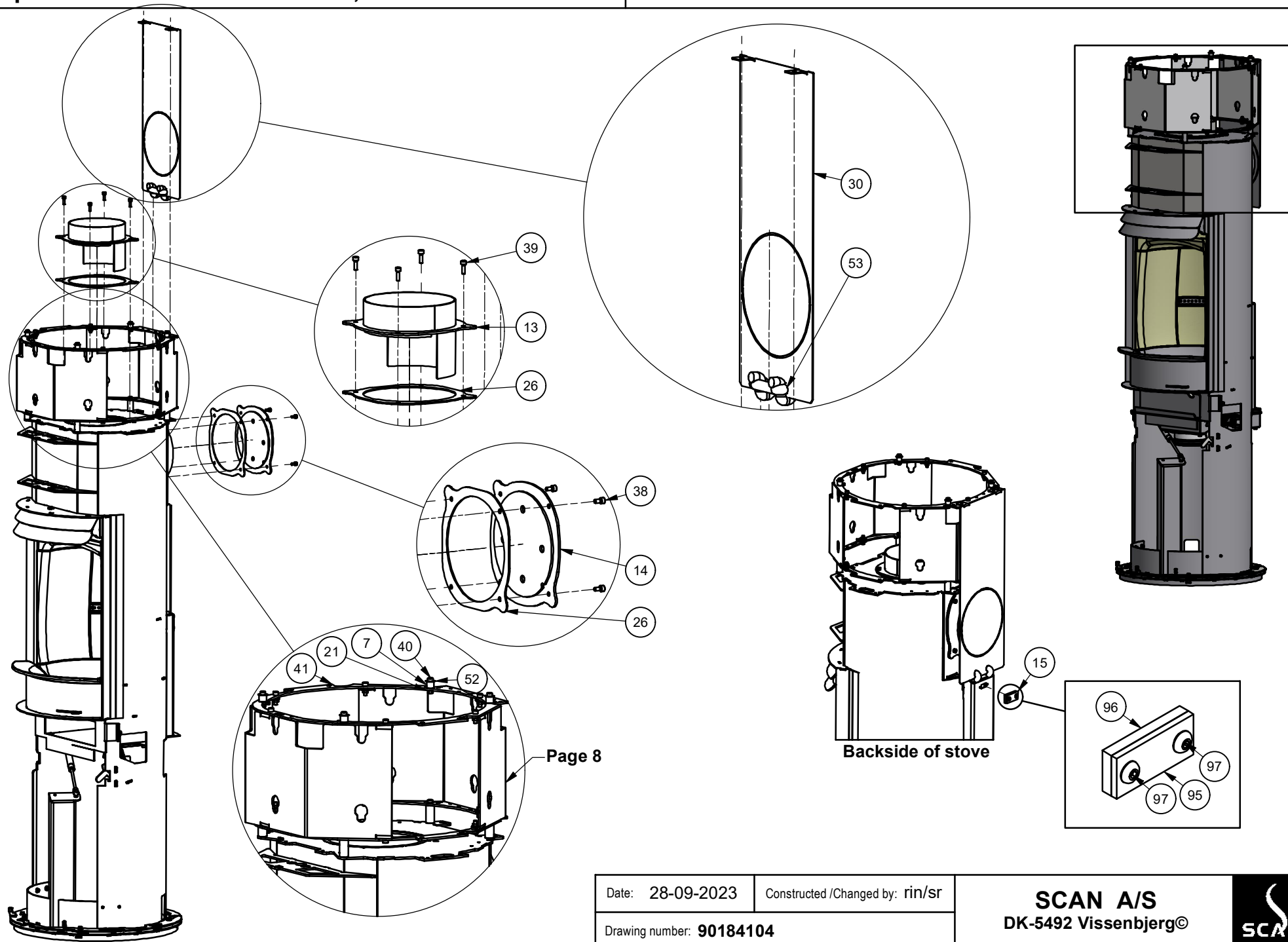


| | |
|--------------------------|---------------------------------|
| Date: 28-09-2023 | Constructed /Changed by: rin/sr |
| Drawing number: 90184104 | |

SCAN A/S
DK-5492 Vissenbjerg©



Spare parts & Accessories: Scan 84, Classic maxi



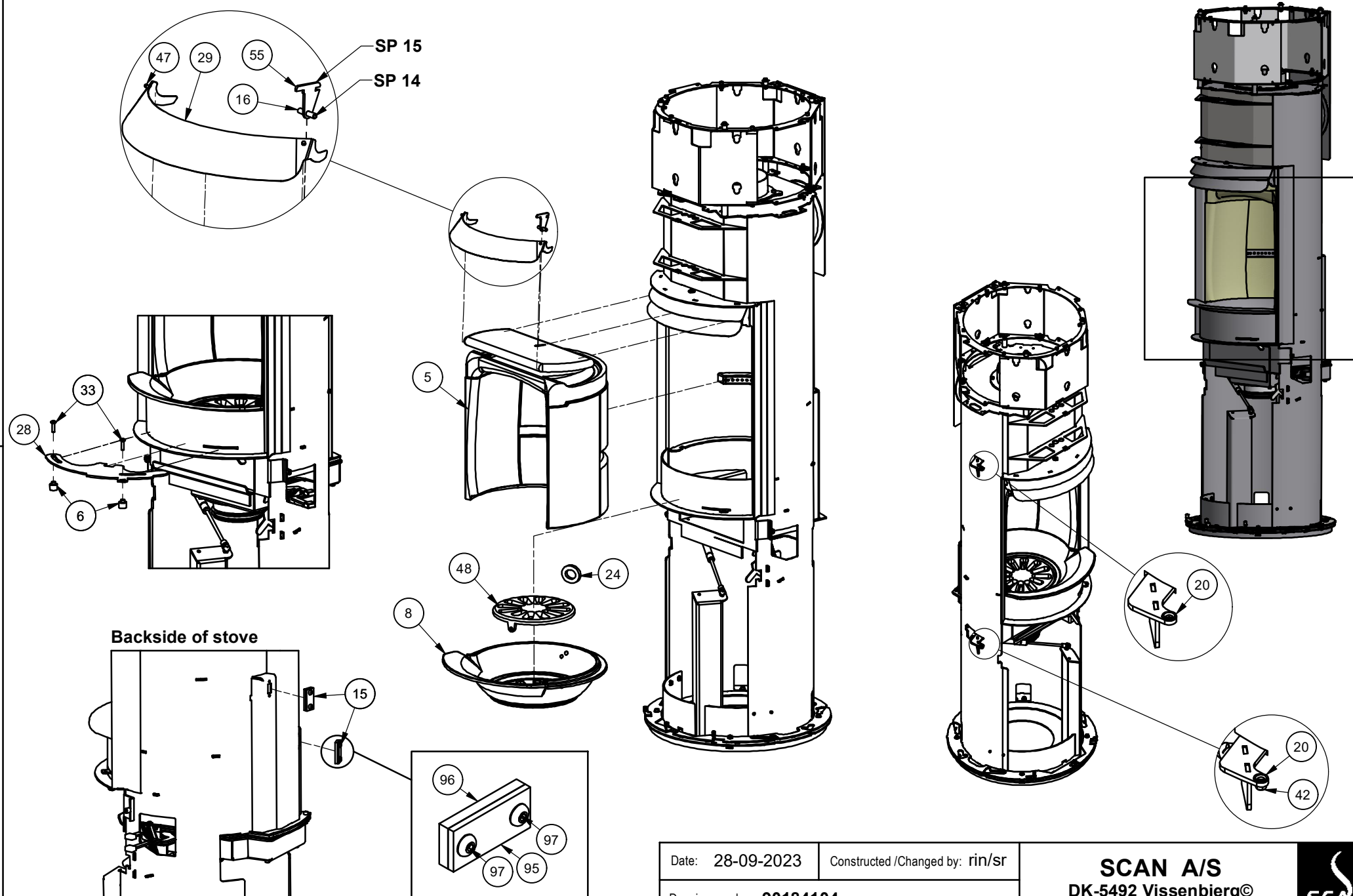
Page 8

Backside of stove

| | | |
|--------------------------|---------------------------------|---|
| Date: 28-09-2023 | Constructed /Changed by: rin/sr | SCAN A/S DK-5492 Vissenbjerg© |
| Drawing number: 90184104 | | |



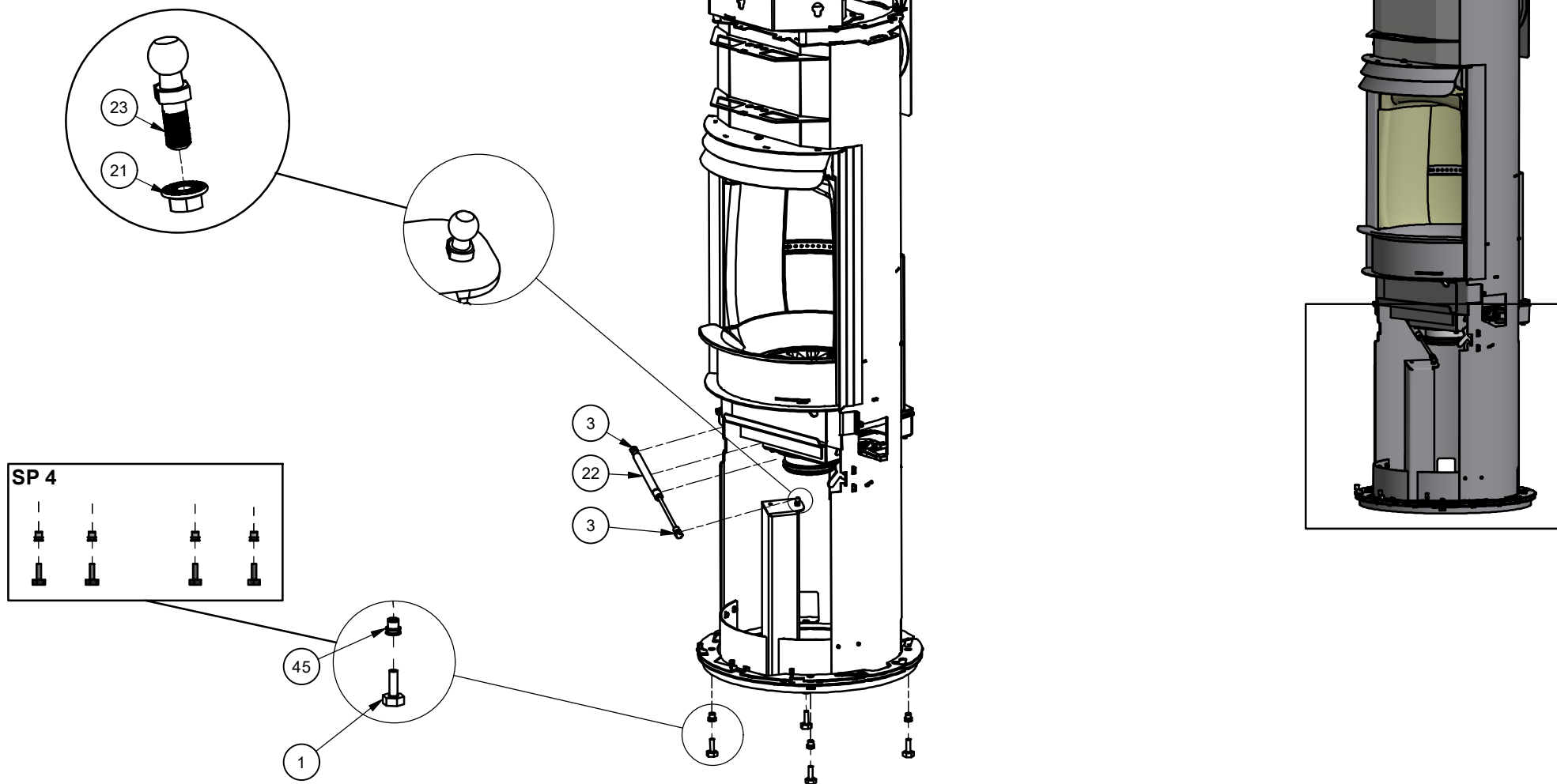
Spare parts & Accessories: Scan 84, Classic maxi



| | | |
|--------------------------|---------------------------------|---|
| Date: 28-09-2023 | Constructed /Changed by: rin/sr | SCAN A/S DK-5492 Vissenbjerg© |
| Drawing number: 90184104 | | |



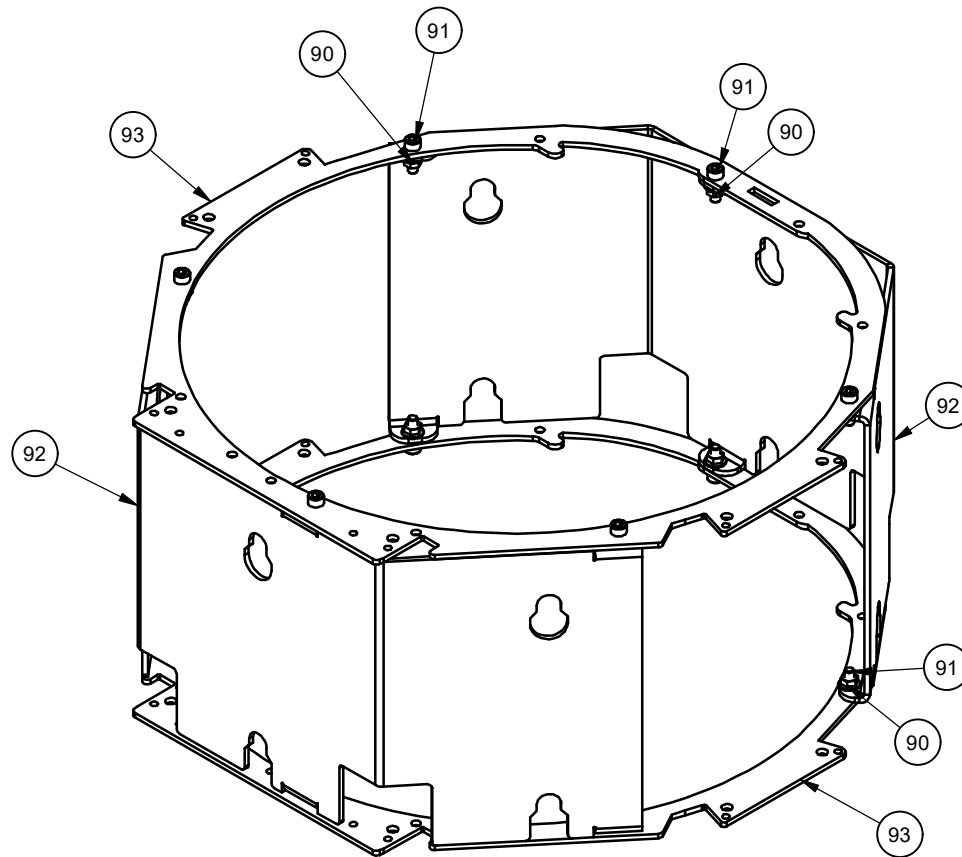
Spare parts & Accessories: Scan 84, Classic maxi



| | |
|--------------------------|---------------------------------|
| Date: 28-09-2023 | Constructed /Changed by: rin/sr |
| Drawing number: 90184104 | |

SCAN A/S
DK-5492 Vissenbjerg©



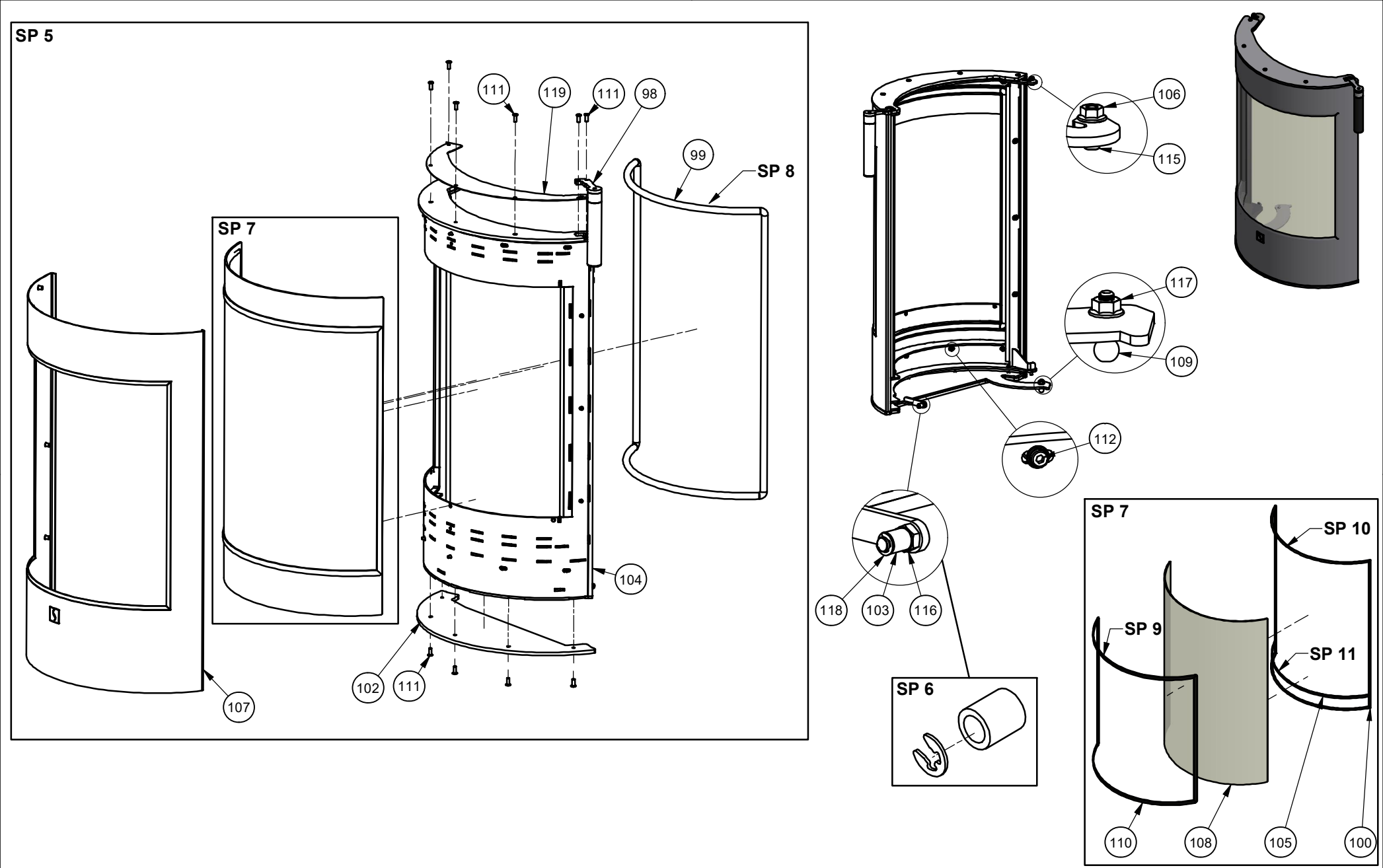


| | |
|--------------------------|---------------------------------|
| Date: 28-09-2023 | Constructed /Changed by: rin/sr |
| Drawing number: 90184104 | |

SCAN A/S
DK-5492 Vissenbjerg©



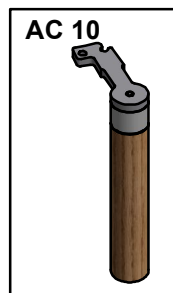
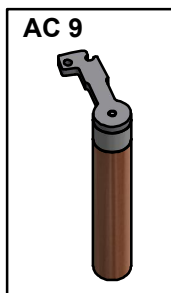
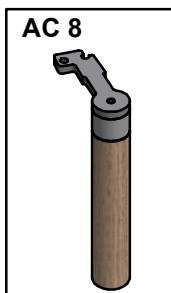
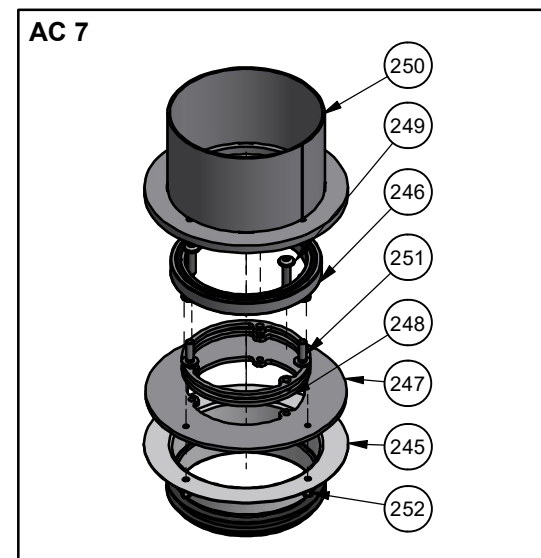
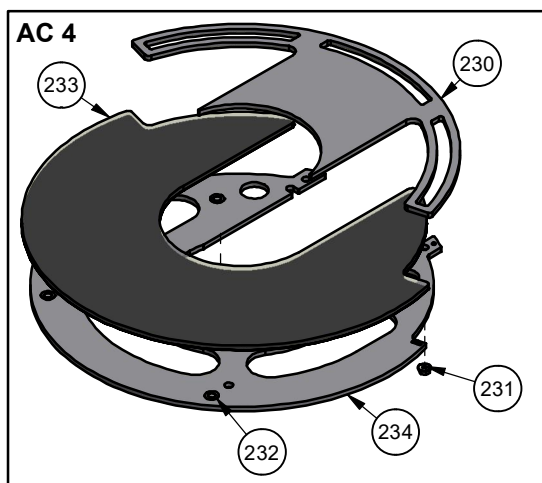
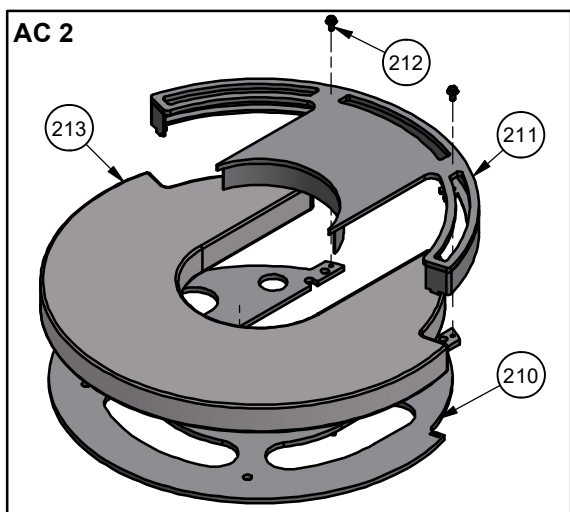
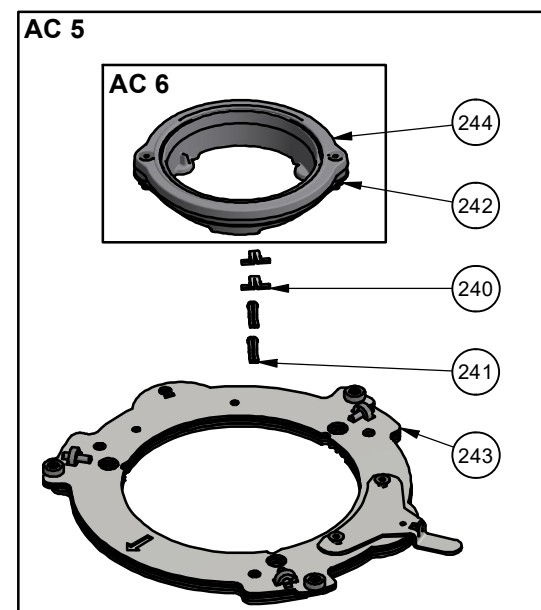
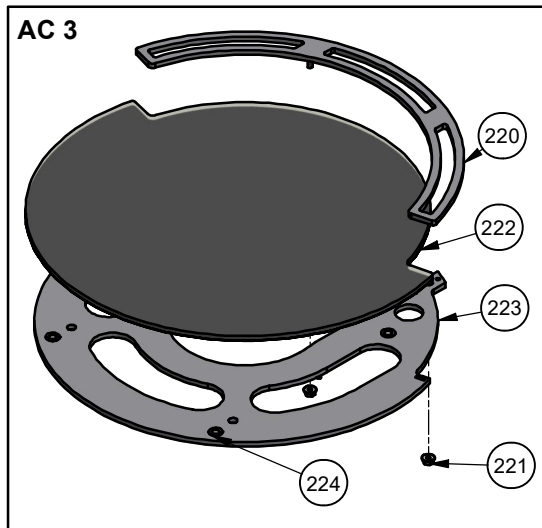
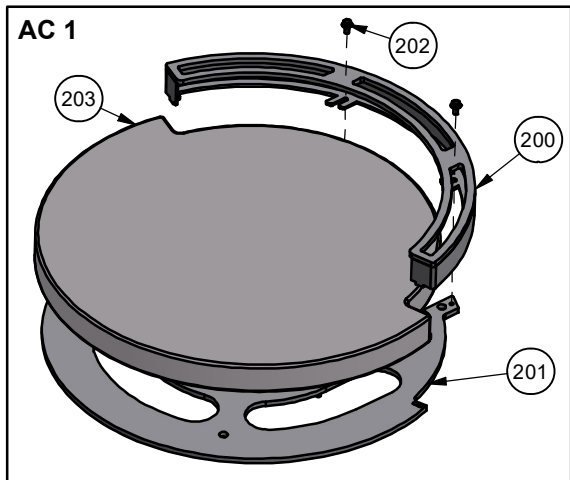
Spare parts & Accessories: Scan 84, Classic maxi



| | |
|--------------------------|---------------------------------|
| Date: 28-09-2023 | Constructed /Changed by: rin/sr |
| Drawing number: 90184104 | |

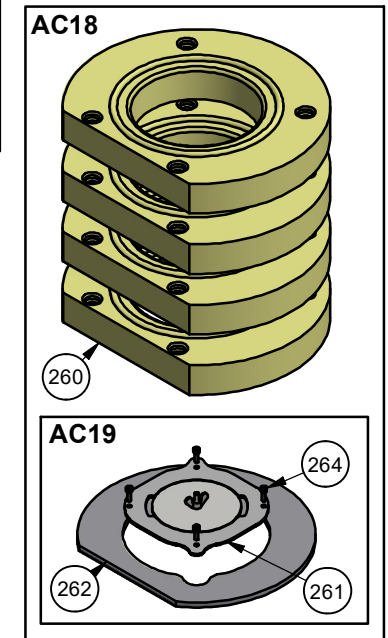
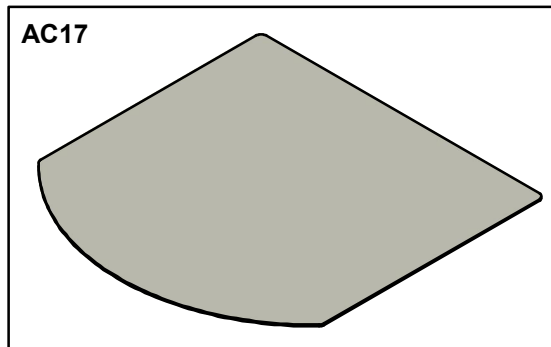
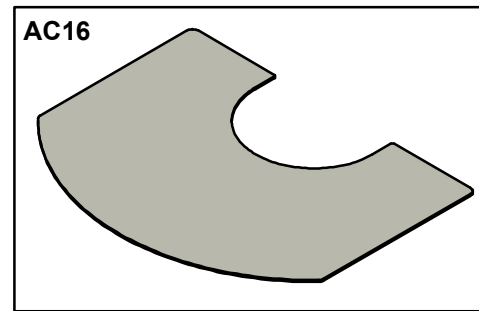
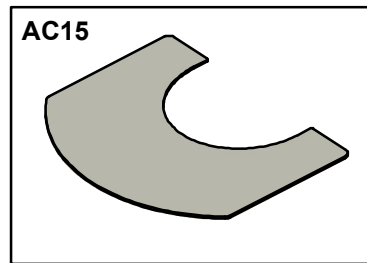
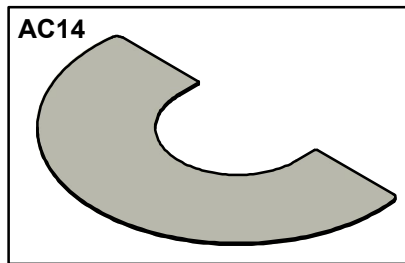
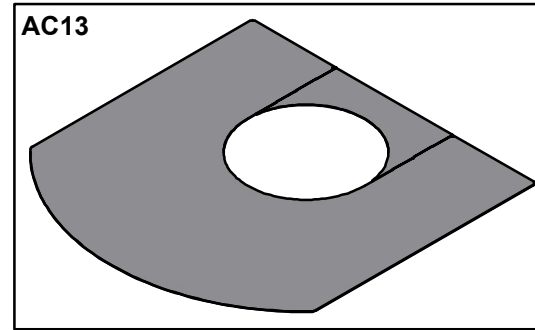
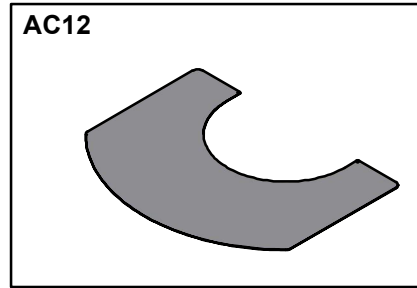
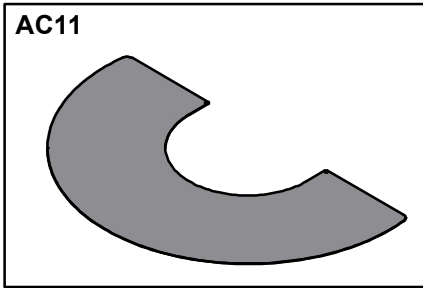
SCAN A/S
DK-5492 Vissenbjerg©





| | | |
|--------------------------|---------------------------------|---|
| Date: 28-09-2023 | Constructed /Changed by: rin/sr | SCAN A/S DK-5492 Vissenbjerg© |
| Drawing number: 90184104 | | |





| | |
|--------------------------|---------------------------------|
| Date: 28-09-2023 | Constructed /Changed by: rin/sr |
| Drawing number: 90184104 | |

SCAN A/S
DK-5492 Vissenbjerg©



Spare parts & Accessories: Scan 84, Classic maxi

Korpus Scan 84-3/4

| POS. | ART. NO. | SALES NO. | NAME | LEGTH | QTY. |
|------|----------|-----------|---|-------|------|
| 1 | 10045969 | | Adjustment screw 19x19 - M8 x 30 | | 4 |
| 2 | | 51046852 | Ash drawer | | 1 |
| 3 | 10046005 | | Ball head M6, Ø10 (item nr. 4597) | | 2 |
| 4 | 10007726 | | Bearing, SKF 625 - 2Z/C3 (ø16xø5x5mm) | | 2 |
| 5 | | 51046796 | Kit vermiculite | | 1 |
| 6 | 10045475 | | Bushing, handle for riddling grate | | 2 |
| 7 | 10059758 | | bushings for high version | | 4 |
| 8 | | 51046797 | Castiron buttom | | 1 |
| 9 | 10060387 | | Closed combustion box | | 1 |
| 10 | 10058191 | | Closing lever for ash drawer | | 1 |
| 11 | 10059986 | | Combustion chamber, assembly | | 1 |
| 12 | 12054891 | | Connecting piece for tube inside. SC 83 | | 1 |
| 13 | | 51046851 | Conneting piece, welded | | 1 |
| 14 | | 51046855 | Cover for flue outlet | | 2 |
| 15 | | | Cover plate for cleaning the burnchamber | | 3 |
| 16 | 10045971 | | Cylinder pin ø6*30, stainless steel, A2 | | 1 |
| 17 | 12059474 | | ECO-Label, Scan 84 | | 1 |
| 18 | 12060996 | | ECO-Label, Scan 84 UK | | 1 |
| 19 | 10004954 | | Spring washers, curved, ø8/Ø15x0,5 HFC 1245 | | 1 |
| 20 | 10004960 | | Flangebushing LEPCMF 06084 B | | 2 |
| 21 | 10004953 | | Flangenut w. ripp M5 | | 7 |
| 22 | | 51046817 | Gas spring SC 83/84 | | 1 |
| 23 | | 51046819 | Gasdamper attachment | | 1 |
| 24 | | 51046914 | Gasket for cast iron buttom | | 1 |
| 25 | 10045966 | | Gasket for combustion box, ceramic paper | | 1 |
| 26 | | 51046849 | Gasket for connectingpiece | | 2 |
| 27 | 10046125 | | Gasket for fresh air adapter | | 1 |
| 28 | 10059730 | | Handle for riddling grate | | 1 |
| 29 | 10046446 | | Heat shield for air lib | | 1 |
| 30 | 12061045 | | Heat shield high version | | 1 |
| 31 | 10004753 | | Hex head screw with flange, M5 x 10, black | | 1 |
| 32 | 10004788 | | Hex head screw with flange, M5 x 16, black | | 1 |
| 33 | 10004798 | | Hex socket button head w. flange, M5 x 20 | | 2 |
| 34 | 10004791 | | Hex socket button head, M5 x 8 | | 1 |
| 35 | 10004783 | | Hex socket button head, M5 x 10 | | 1 |
| 36 | 10059742 | | Hex socket flat head, M5 x 12, black | | 2 |

Date: 28-09-2023

Constructed /Changed by: rin/sr

Drawing number: 90184104

SCAN A/S
DK-5492 Vissenbjerg©



Spare parts & Accessories: Scan 84, Classic maxi

| POS. | ART. NO. | SALES NO. | NAME | LEGTH | QTY. |
|------|----------|-----------|---|-------|------|
| 37 | 10004805 | | Hex socket head cap, M5 x 6 | | 1 |
| 38 | 10004816 | | Hex socket head cap, M5 x 10, black | | 9 |
| 39 | 10004838 | | Hex socket head cap, M5 x 16, black | | 5 |
| 40 | 10004815 | | Hex socket head cap, M5 x 20 | | 4 |
| 41 | | | High top assembly (soapstone) | | 1 |
| 42 | 10007642 | | Lock nut M5, metal | | 2 |
| 43 | 10058190 | | Locking device for door (dolphin) | | 1 |
| 44 | 10046276 | | Pin for closingspring | | 2 |
| 45 | 10045630 | | Popnut M8 (for sheet thickness 3,0 - 5,5 mm) | | 4 |
| 46 | 10007617 | | Poprivet M3,2 x 7,9 | | 4 |
| 47 | 10007632 | | Poprivet ø4 x 8 stainless steel | | 2 |
| 48 | | 51005837 | Riddling grate, upper part, drilled | | 1 |
| 49 | 10059982 | | silicone button for damper (SH60) | | 2 |
| 50 | 12062226 | | Silicone tube Ø8/Ø4x11 | | 5 |
| 51 | 20061015 | | Silicone tube Black Ø8/Ø4*11 | | 1 |
| 52 | 10059983 | | Silicone washer Ø15 x 8,5 x 0,5 | | 4 |
| 53 | 10043740 | | Sort glassnor ø14 (hård) til maxi varmeskjold | | 1 |
| 54 | | 51046818 | Spring (SF-DF-3438-Lesjofors) | | 1 |
| 55 | | 51046847 | Support piece for baffle plate | | 1 |
| 56 | 10004626 | | Valve holder (center) Ø8/15x4,5 | | 2 |
| 57 | 10046273 | | Washer for dolphin lock | | 1 |
| 58 | 10007709 | | Washer, M5, wo. fazet FZB | | 1 |
| 59 | 10003146 | | ø100 Sleeve with flange | | 1 |

SP 1: Ash drawer: 51046852

| POS. | ART. NO. | SALES NO. | NAME | LEGTH | QTY. |
|------|----------|-----------|------------------------------|-------|------|
| 60 | 10058189 | | Welded ash tray | | 1 |
| 61 | 10004744 | | Black knitted glass rope, ø8 | | 1 |

Date: 28-09-2023

Constructed /Changed by: rin/sr

Drawing number: 90184104

SCAN A/S
DK-5492 Vissenbjerg©



Spare parts & Accessories: Scan 84, Classic maxi

SP 2: Closed combustion box: 51061491

| POS. | ART. NO. | SALES NO. | NAME | LEGTH | QTY. |
|------|----------|-----------|---|-------|------|
| 65 | | | Attachment for primary damper | | 1 |
| 66 | | | Bottomplate for closed combustion box | | 1 |
| 67 | 10038025 | | Bushing for springloaded damper Ø7,9x12,5 | | 4 |
| 68 | | 51061491 | Combustion box | | 1 |
| 69 | 10046122 | | Damper gasket SC 83 | | 2 |
| 70 | 10004954 | | Spring washers, curved, ø8/Ø15x0,5 HFC 1245 | | 2 |
| 71 | 10004953 | | Flangenut w. ripp M5 | | 1 |
| 72 | 10046123 | | Gasket for closed combustion box | | 1 |
| 73 | 10049333 | | Hex socket head cap w. flange, M5 x 10, black | | 4 |
| 74 | 10049335 | | Hex socket head cap w. flange, M5 x 16, black | | 4 |
| 75 | 10007710 | | Hex socket head cap, M5 x 50, FZB | | 4 |
| 76 | 10046398 | | Pinol M5 x 25 (DIN 551/BN 427) | | 1 |
| 77 | | | Primary damper | | 1 |
| 78 | | | Secondary damper | | 1 |
| 79 | | | Spacer for primary damper | | 1 |
| 80 | | | Spacer for secondary damper | | 1 |
| 81 | 10004627 | | Spacer washer Ø8/18x3,3 | | 2 |
| 82 | 10038031 | | Spring for damper (Di=8,3 - Lo=12 - Dt=1) | | 2 |
| 83 | 10004626 | | Valve holder (center) Ø8/15x4,5 | | 2 |
| 84 | 10008004 | | Washer Ø8/Ø16*1.5 (DIN 125 A) | | 2 |
| 85 | 10046397 | | Washer ø5,3/20 x 1,5 (HV140) | | 1 |

SP 3: Spare part kit, Locking mechanism: 51061261

High top assembly:

| POS. | ART. NO. | SALES NO. | NAME | LEGTH | QTY. |
|------|----------|-----------|-------------------------------------|-------|------|
| 90 | 10004953 | | Flangenut w. ripp M5 | | 12 |
| 91 | 10004838 | | Hex socket head cap, M5 x 16, black | | 12 |
| 92 | 12058862 | | Spacer for soapstone maxi | | 2 |
| 93 | 12061037 | | Spacer to cover parts SC 84 maxi | | 2 |

Cover plate

| POS. | ART. NO. | SALES NO. | NAME | LEGTH | QTY. |
|------|----------|-----------|--------------------------------|-------|------|
| 95 | 10058090 | | Cover plate | | 1 |
| 96 | 12055192 | | Gasket to cover plate | | 1 |
| 97 | 10004791 | | Hex socket button head, M5 x 8 | | 2 |

Date: 28-09-2023

Constructed /Changed by: rin/sr

Drawing number: 90184104

SCAN A/S
DK-5492 Vissenbjerg©



Spare parts & Accessories: Scan 84, Classic maxi

SP 4: Spare part kit, Set with 4 screws: 51046856

SP 5: Classic door: 51061463 BLACK PAINT

SP 5: Classic door: 51061464 GRAY PAINT

| POS. | ART. NO. | SALES NO. | NAME | LEGTH | QTY. |
|------|----------|-----------|--|-------|------|
| 98 | | 51061380 | Assembly for wood handle, black | | 1 |
| 99 | 10043740 | | Black cord Ø14 (hard) | 2,5 m | 1 |
| 100 | 10045943 | | Black cord, 6 mm w. tape | | 1 |
| 101 | 10046274 | | Bottom hinge pin for door | | 1 |
| 102 | 12061024 | | Bottom list, classic / modern door | | 1 |
| 103 | 10038034 | | Oil bronze bearing Ø6/Ø9x10 | | 1 |
| 104 | 10059989 | | Door, welded (classic) | | 1 |
| 105 | 10048732 | | Fiberglass robe w. tape Ø8 | 0,5 m | 1 |
| 106 | 10004953 | | Flangenut w. ripp M5 | | 2 |
| 107 | | 51061461 | Front for steeldoor bolt welded BP | | 1 |
| 107 | | 51061462 | Front for steeldoor bolt welded GP | | 1 |
| 108 | 10059747 | | Front glass (classic door) | | 1 |
| 109 | | 51046819 | Gasdamper attachment | | 1 |
| 110 | 10007912 | | Glass gasket w. glue, 2x10mm, black | | 1 |
| 111 | 10059742 | | Hex socket flat head, M5 x 12, black | | 11 |
| 112 | 10046770 | | Hex socket head cap screw w. flange, M4x8 (BN 1392) Black Coated | | 13 |
| 113 | 10060657 | | Hex socket head cap, M4 x 8 | | 3 |
| 114 | 10004799 | | Hex socket set screws M5 x 5 | | 1 |
| 115 | 10043926 | | Hinge pin for door | | 1 |
| 116 | 10046272 | | Locking pin for door | | 1 |
| 117 | 10007639 | | M6 FL.nut Din 6923 galvanized Steel 8 | | 1 |
| 118 | 10038086 | | Snap ring, DIN 6799 - Ø4 from magasin | | 1 |
| 119 | 12061028 | | support plate door top | | 1 |
| 120 | 12061026 | | Top list, classic / modern door | | 1 |

SP 6: Spare part kit, Locking pin for door: 51049129

SP 7: Spare part kit, Glass, Classic door: 51062178

| POS. | ART. NO. | SALES NO. | NAME | LEGTH | QTY. |
|------|----------|-----------|-------------------------------------|-------|------|
| 100 | 10045943 | | Black cord, 6 mm w. tape | | 1 |
| 105 | 10048732 | | Fiberglass robe w. tape Ø8 | 0,5 m | 1 |
| 108 | 10059747 | | Front glass (classic door) | | 1 |
| 110 | 10007912 | | Glass gasket w. glue, 2x10mm, black | | 1 |

Date: 28-09-2023

Constructed /Changed by: rin/sr

Drawing number: 90184104

SCAN A/S
DK-5492 Vissenbjerg©



Spare parts & Accessories: Scan 84, Classic maxi

SP 8: Black cord Ø14 (hard), 3 m: 51044383

SP 9: Glass gasket w. glue, 2x10mm, black, 3 m: 51037833

SP 10: Black cord, 6 mm w. tape, 3 m: 51046880

SP 11: Fiberglass robe w. tape Ø8, 3 m: 51049791

Mantle

| POS. | ART. NO. | SALES NO. | NAME | LEGTH | QTY. |
|------|----------|-----------|---|-------|------|
| 130 | 12064508 | | Approval label, Scan 84 | | 1 |
| 131 | 12061047 | | Assembly, top cover for stove w. rear outlet, BLACK PAINT | | 1 |
| 131 | | | Assembly, top cover for stove w. rear outlet, GRAY PAINT | | 1 |
| 131 | | | Assembly, top cover for stove w. rear outlet, WHITE PAINT | | 1 |
| 132 | 12061066 | | Back cover plate, high model, BLACK PAINT | | 1 |
| 132 | | | Back cover plate, high model, GRAY PAINT | | 1 |
| 132 | | | Back cover plate, high model, WHITE PAINT | | 1 |
| 133 | 10060929 | | Bushing for front cover bottom | | 2 |
| 134 | 10059986 | | Combustion chamber, assembly | | 1 |
| 136 | | 51046799 | Cover plate for lower front mantle | | 1 |
| 135 | 12061048 | | Cover plate, BLACK PAINT | | 1 |
| 135 | | | Cover plate, GRAY PAINT | | 1 |
| 135 | | | Cover plate, WHITE PAINT | | 1 |
| 137 | 10043740 | | Glass gasket ø14 (hard), black | 0,4 m | 2 |
| 138 | 12061030 | | Heat shield left | | 1 |
| 139 | 12061029 | | Heat shield right | | 1 |
| 140 | 10004753 | | Hex head screw with flange, M5 x 10, black | | 2 |
| 141 | 10004801 | | Hex socket button head, M5 x 12, ISO 7380-1 steel 010.9 | | 2 |
| 142 | 10059742 | | Hex socket flat head, M5 x 12, black | | 2 |
| 143 | 10004816 | | Hex socket head cap, M5 x 10, black | | 4 |
| 144 | 10004812 | | Hex socket head cap, M5 x 12 | | 4 |
| 145 | 10004838 | | Hex socket head cap, M5 x 16, black | | 6 |
| 146 | 12061039 | | holds plate for plastic insert | | 1 |
| 147 | 10059981 | 51061420 | Insert for damperhandles | | 1 |
| 148 | 12061065 | | Left cover plate, maxi, BP | | 1 |
| 149 | 10007642 | | Lock nut M5, metal | | 4 |
| 150 | | 51061431 | Lower frontcover, maxi, assembly, BLACK PAINT | | 1 |
| 150 | | 51061432 | Lower frontcover, maxi, assembly, GRAY PAINT | | 1 |
| 150 | | 51061433 | Lower frontcover, maxi, assembly, WHITE PAINT | | 1 |

Date: 28-09-2023

Constructed /Changed by: rin/sr

Drawing number: 90184104

SCAN A/S
DK-5492 Vissenbjerg©



Spare parts & Accessories: Scan 84, Classic maxi

| POS. | ART. NO. | SALES NO. | NAME | LENGH | QTY. |
|------|----------|-----------|---|-------|------|
| 151 | 10046280 | | Popnut M5x12,3 | | 6 |
| 152 | | 51061443 | Right coverplate, maxi welded, BLACK PAINT | | 1 |
| 152 | | 51061444 | Right coverplate, maxi welded, GRAY PAINT | | 1 |
| 152 | | 51061445 | Right coverplate, maxi welded, WHITE PAINT | | 1 |
| 153 | 10045985 | | Rubber grommet Mold-0031 | | 4 |
| 154 | | 51061425 | Upper frontcover maxi, mounted, BLACK PAINT | | 1 |
| 154 | | 51061426 | Upper frontcover maxi, mounted, GRAY PAINT | | 1 |
| 154 | | 51061427 | Upper frontcover maxi, mounted, WHITE PAINT | | 1 |
| 155 | | 51061452 | Welded parts for top plate, BLACK PAINT | | 1 |
| 155 | | 51061453 | Welded parts for top plate, GRAY PAINT | | 1 |
| 155 | | 51061454 | Welded parts for top plate, WHITE PAINT | | 1 |

SP 12: Spare part kit, Sparepart kit Screws bolts: 51061518

SP 13: Spare part kit, Damper handle, 2pcs.: 51061421

SP 14: Spare part, pin smoke deflector Ø6x30, stainless steel A2, 1pcs.: 51050429

SP 15: Spare part, Support piece for baffle plate, 1pcs.: 51046847

Date: 28-09-2023

Constructed /Changed by: rin/sr

Drawing number: 90184104

SCAN A/S
DK-5492 Vissenbjerg©



Spare parts & Accessories: Scan 84, Classic maxi

AC 1: Compl. Top for soapstone rear: 51061131 BLACK PAINT
Compl. Top for soapstone rear: 51061499 GRAY PAINT
Compl. Top for soapstone rear: 51061500 WHITE PAINT

| POS. | ART. NO. | SALES NO. | NAME | LEGTH | QTY. |
|------|----------|-----------|--|-------|------|
| 202 | 10004753 | | Hex head screw with flange, M5 x 10, black | | 2 |
| 203 | 50060392 | | soapstone top for rear exit | | 1 |
| 200 | 12061138 | | Soapstone top, back exit welded | | 1 |
| 201 | 12061135 | | Underlay plate for top plate, welded | | 1 |

AC 2: Compl. Top for soapstone top outlet: 51061134 BLACK PAINT
Compl. Top for soapstone top outlet: 51061505 GRAY PAINT
Compl. Top for soapstone top outlet: 51061506 WHITE PAINT

| POS. | ART. NO. | SALES NO. | NAME | LEGTH | QTY. |
|------|----------|-----------|--|-------|------|
| 212 | 10004753 | | Hex head screw with flange, M5 x 10, black | | 2 |
| 213 | 50060391 | | soapstone top | | 1 |
| 211 | 12061139 | | Soapstone top, top exit welded | | 1 |
| 210 | 12061135 | | Underlay plate for top plate, welded | | 1 |

AC 3: Compl. Topplate for glass rear: 51061132 BLACK PAINT
Compl. Topplate for glass rear: 51061501 GRAY PAINT
Compl. Topplate for glass rear: 51061502 WHITE PAINT

| POS. | ART. NO. | SALES NO. | NAME | LEGTH | QTY. |
|------|----------|-----------|---------------------------------------|-------|------|
| 220 | 12061137 | | bolt welded top, back exit | | 1 |
| 221 | 10007639 | | M6 FL.nut Din 6923 galvanized Steel 8 | | 2 |
| 222 | 10059991 | | W.glass rear top | | 1 |
| 223 | 12061135 | | Underlay plate for top plate, welded | | 1 |
| 224 | 10059983 | | Silicone washer Ø15 x 8,5 x 0,5 | | 4 |

AC 4: Compl. Topplate for glass top outlet: 51061133 BLACK PAINT
Compl. Topplate for glass top outlet: 51061503 GRAY PAINT
Compl. Topplate for glass top outlet: 51061504 WHITE PAINT

| POS. | ART. NO. | SALES NO. | NAME | LEGTH | QTY. |
|------|----------|-----------|---------------------------------------|-------|------|
| 230 | 12061136 | | bolt welded top exit plate | | 1 |
| 231 | 10007639 | | M6 FL.nut Din 6923 galvanized Steel 8 | | 2 |
| 232 | 10059983 | | Silicone washer Ø15 x 8,5 x 0,5 | | 4 |
| 233 | 10059992 | | Top plate glass | | 1 |
| 234 | 12061135 | | Underlay plate for top plate, welded | | 1 |

Date: 28-09-2023

Constructed /Changed by: rin/sr

Drawing number: 90184104

SCAN A/S
DK-5492 Vissenbjerg©



Spare parts & Accessories: Scan 84, Classic maxi

AC 5: Revolving kit: 51046363

| POS. | ART. NO. | SALES NO. | NAME | LEGTH | QTY. |
|------|----------|-----------|----------------------------------|-------|------|
| 240 | 20046724 | | Lock for revolving base. SCAN 83 | | 2 |
| 241 | 12060562 | | Lock for revolving base. SCAN 84 | | 2 |
| 242 | 10007990 | | Nut M8, Black | | 2 |
| 243 | 12060568 | | Revolving base, mounted | | 1 |
| 244 | 12022058 | | Revolving connecting piece | | 1 |

AC 6: Revolving connecting piece: 51045366

AC 7: Fresh air adapter: 51061392

| POS. | ART. NO. | SALES NO. | NAME | LEGTH | QTY. |
|------|----------|-----------|--|-------|------|
| 245 | 10003146 | | ø100 Sleeve with flange | | 1 |
| 246 | 10061112 | | Deep groove ball bearings single row with two low-friction seals SKF | | 1 |
| 247 | | | Connector piece for second fresh air sleeve | | 1 |
| 248 | | | Distance ring for fresh air adapter | | 2 |
| 249 | 10004798 | | Hex socket button head w. flange, M5 x 20 | | 3 |
| 250 | | | Welded parts for fresh air adapter | | 1 |
| 251 | 10004835 | | Hex socket button head w. flange, M5 x 16 | | 4 |
| 252 | 10007617 | | Poprivet M3,2 x 7,9 | | 4 |

| | | |
|---------------|--|-----------------|
| AC 8: | Wood handle, white oak | 51061103 |
| AC 9: | Wood handle, mocca oak | 51061104 |
| AC 10: | Wood handle, golden oak | 51061105 |
| AC 11: | Small shaped floor plate, steel | 51046364 |
| AC 12: | Small shaped floor plate, corner, steel | 51046365 |
| AC 13: | Large floor plate, steel | 51046366 |
| AC 14: | Small shaped floor plate, glass | 50046311 |
| AC 15: | Small shaped floor plate, corner, glass | 50046315 |
| AC 16: | Large shaped floor plate, glass | 50046313 |
| AC 17: | Large floor plate, glass | 50046312 |

AC 18: Heat accumulating stones: 50046310

| POS. | ART. NO. | SALES NO. | NAME | LEGTH | QTY. |
|------|----------|-----------|-------------------------------------|-------|------|
| 260 | 10046936 | | Set heat accumulating stone | | 1 |
| 261 | | | Samling af dæksel i dæksel | | 1 |
| 262 | | | Afstands ring til varmeakk. sten | | 1 |
| 263 | 10046124 | 51046849 | Gasket for connectingpiece | | 1 |
| 264 | 10004838 | | Hex socket head cap, M5 x 16, black | | 4 |

AC 19: Steel parts for Heat accumulating stones: 51046904

Date: 28-09-2023

Constructed /Changed by: rin/sr

Drawing number: 90184104

SCAN A/S
DK-5492 Vissenbjerg©

