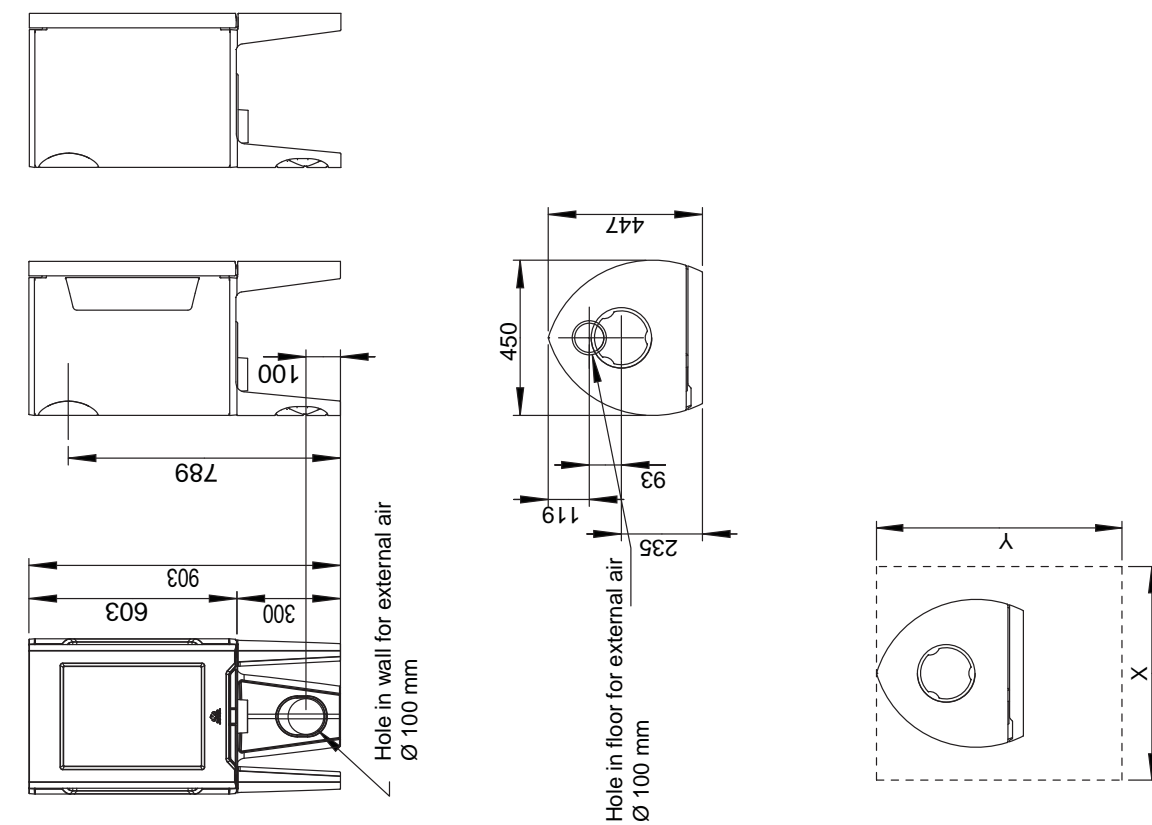


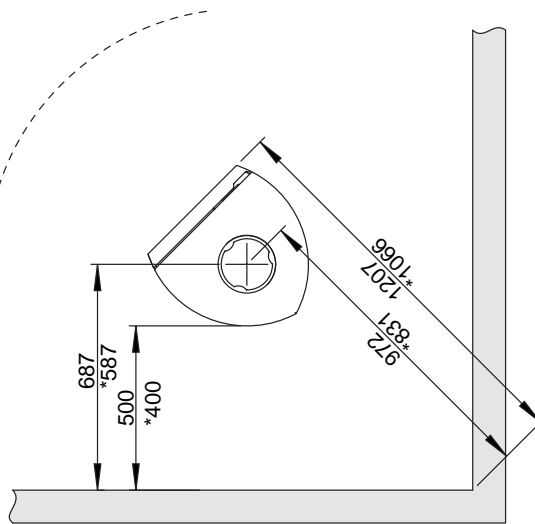
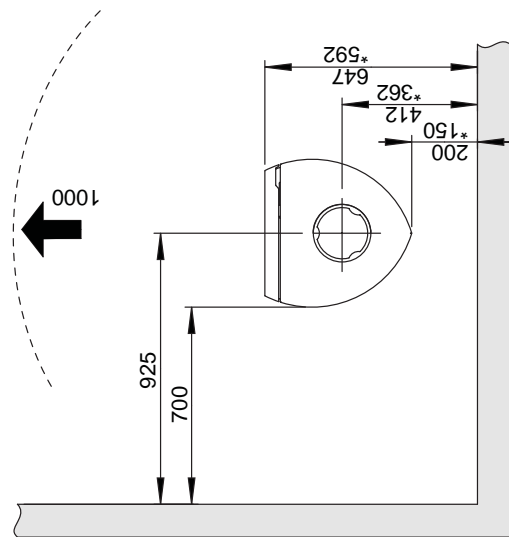
Jøtul F 162 / Jøtul F 163

Fig. 1a



Combustible wall

Min. distance to combustible wall



* With semi-insulated chimney / covered flue pipe down towards the product.

900061-P09

Jøtul F 162 / Jøtul F 163

Fig. 1b

