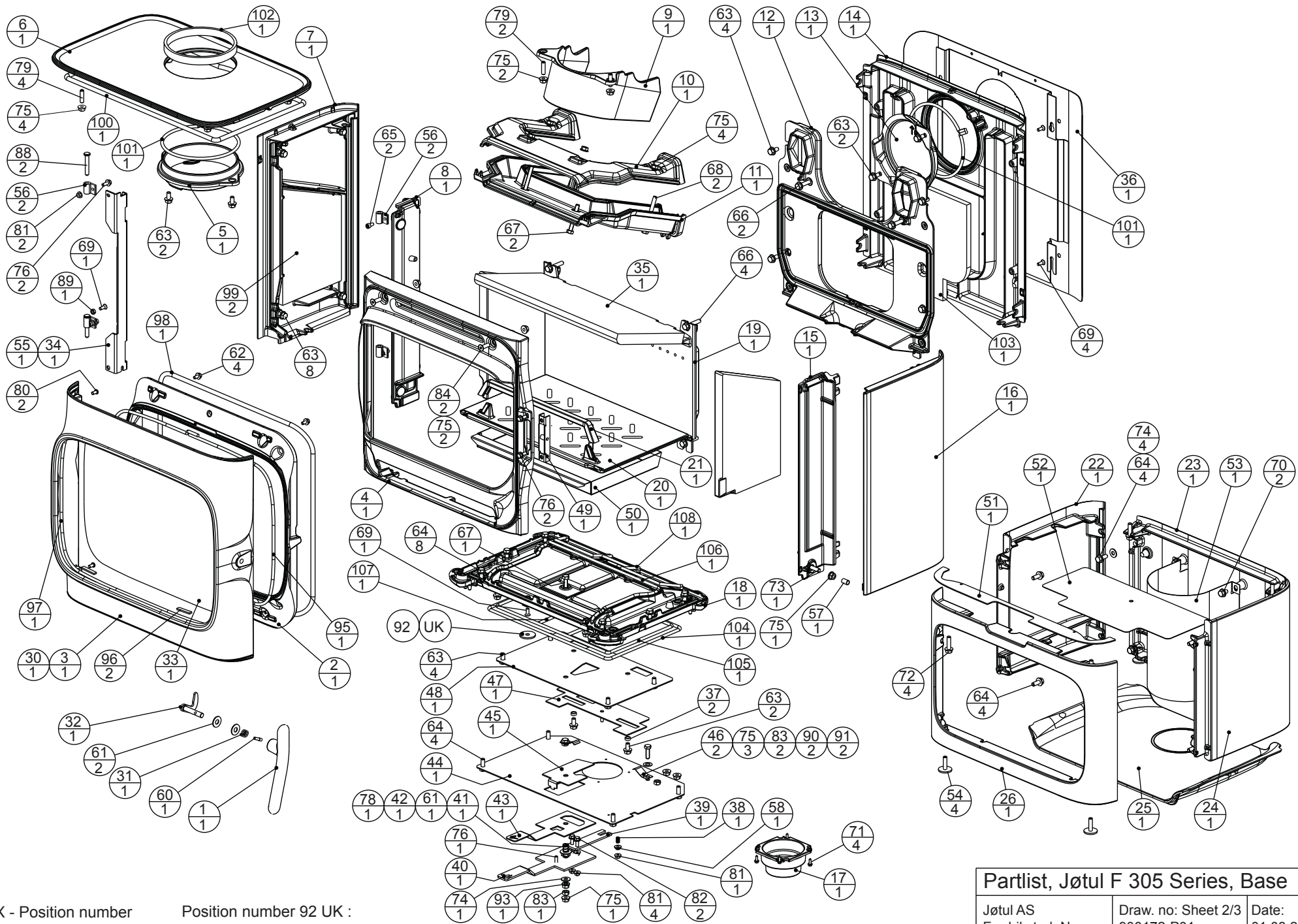


XX - Position number
YY - Quantity

Position number 92 UK :
only for United Kingdom

Partlist, Jøtul F 305 Series, Long legs

Jøtul AS Fredrikstad, Norway	Draw.no: Sheet 1/3 900172-P01	Date: 01.08.2016
---------------------------------	----------------------------------	---------------------



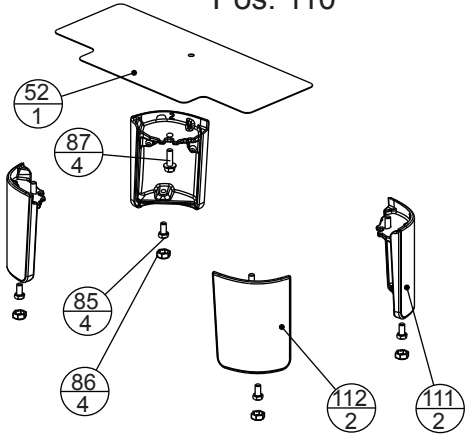
XX - Position number
YY - Quantity

Position number 92 UK :
only for United Kingdom

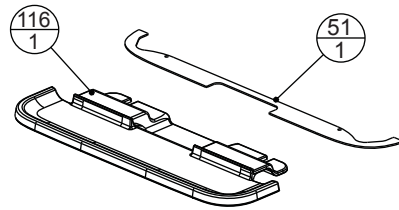
Partlist, Jøtul F 305 Series, Base

Jøtul AS Fredrikstad, Norway	Draw. no: Sheet 2/3 900172-P01	Date: 01.08.2016
---------------------------------	-----------------------------------	---------------------

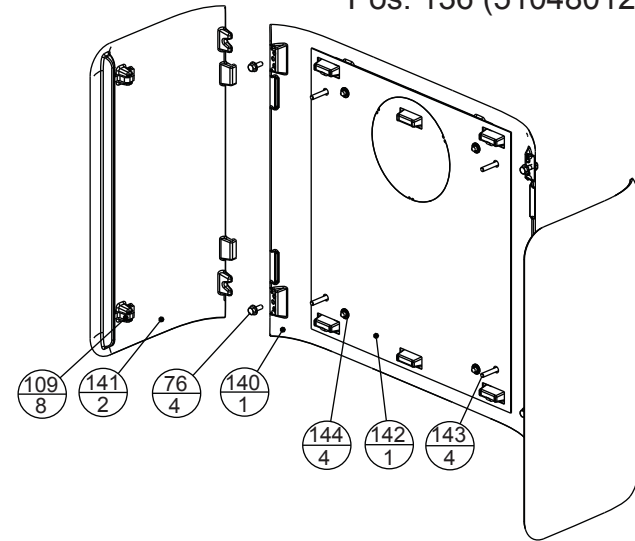
Pos. 110



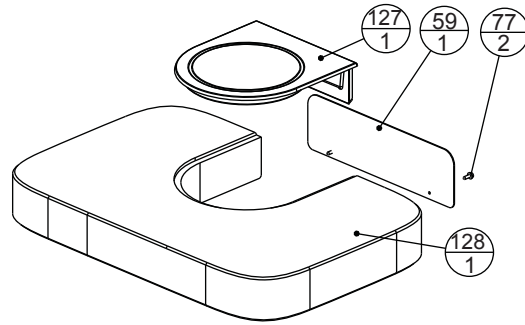
Pos. 115 (for legs)



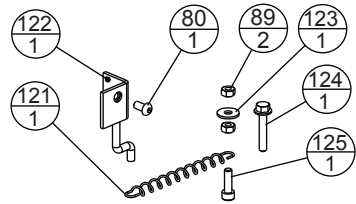
Pos. 136 (51048012)



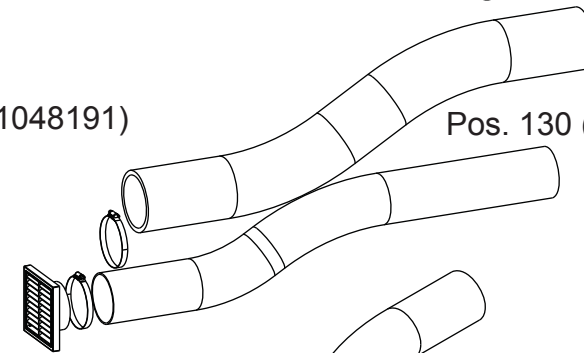
Pos. 126 (51048022)



Pos. 120 (51048254)

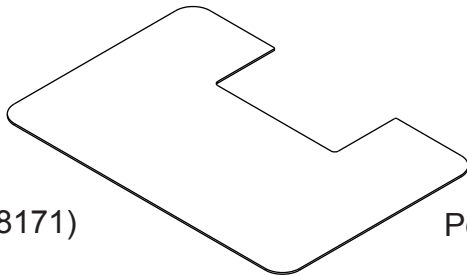


Pos. 135 (51048191)

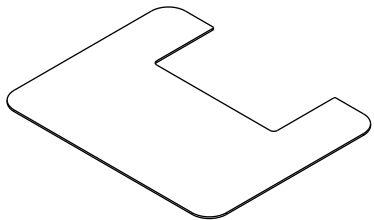


Pos. 130 (51012164)

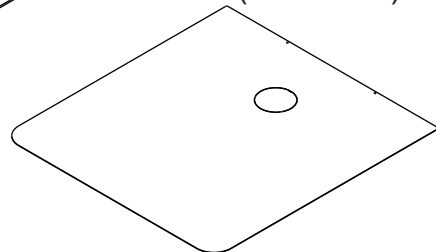
Pos. 133 (50048173)



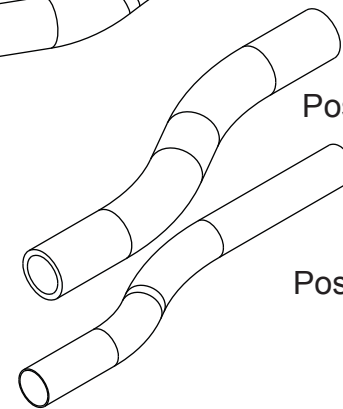
Pos. 132 (50048171)



Pos. 134 (51048190)



Pos. 131 (51047509)



Pos. 129 (151608)



Partlist, Jøtul F 305 Series, Optional equipment

Jøtul AS
Fredrikstad, Norway

Draw. no: Sheet 3/3
900172-P01

Date:
01.08.2016

Jøtul F 305

Jøtul F 305 R LL BP (Long Legs), cat. no. 30049937, Jøtul F 305 R B BP (Base), cat. no. 30049938, Jøtul F 305 R LL WHE (Long Legs), cat. no. 30049939

Jøtul F 305 LL BP (Long Legs), cat. no. 30044996, Jøtul F 305 B BP (Base), cat. no. 30046816, Jøtul F 305 LL WHE (Long Legs), cat. no. 30047335

BP= Sort lakk/Black Paint, UP= Ulakkert/Unpainted, BE= Black Enamel, WHE=White Enamel, WP=White Paint

Quantity	Pos. no.	Spareparts	Consist of pos.no:	Benevnelse	Description	Dim./Spec.
1	1	12048044	If the product is older than pin 437670, 26.01.2017, also order 10047057(pos.32) and 10023576(pos. 60).	Handtak dør BE	Handle Door BE	Cast Iron min 4mm thickness
1	1	12048672	If the product is older than pin 437670, 26.01.2017, also order 10047057(pos.32) and 10023576(pos. 60).	Handtak dør WHE	Handle Door WHE	Cast Iron min 4mm thickness
1	2	12048046	2,95,98	Glassholder m/2 pakninge BP	Glass Holder Incl. 2 Gaskets BP	Cast Iron min 4mm thickness
	2	12051313	2,95,98 (Before Lot 426313_Pin 20 order 12048046)	Glassholder m/6 pakninge BP for WHE	Glass Holder Incl. 6 Gaskets BP For WHE	Cast Iron min 4mm thickness
1	3			Dør BP	Door BP	Cast Iron min 4mm thickness
1	3			Dør WHE	Door WHE	Cast Iron min 4mm thickness
1	4	12048050		Frontplate BP	Front Plate BP	Cast Iron min 4mm thickness
1	5	12031170		Røkstuss Ø150 dripless UP	Smoke outl Ø150 dripless UP	Cast Iron min 4mm thickness
1	6	12048096		Topp plate BP	Top plate BP	Cast Iron min 4mm thickness
1	6	12048642		Topp plate WHE	Top plate WHE	Cast Iron min 4mm thickness
1	7	12048072		Sideplate venstre BP	Side Plate Left BP	Cast Iron min 4mm thickness
1	7	12048636		Sideplate venstre WHE	Side Plate Left WHE	Cast Iron min 4mm thickness
1	8	12048052		Front bakre venstre BP	Front Rear Left BP	Cast Iron min 4mm thickness
1	9	12048108		Ledeplate UP	Exhaust Deflector UP	Cast Iron min 4mm thickness
1	10	12048107		Luftkanal Øvre UP	Air Manifold Upper UP	Cast Iron min 4mm thickness
1	11	12048100		Luftkanal nedre UP	Air Manifold Lower UP	Cast Iron min 4mm thickness
1	12	12048546		Bakplate indre UP	Rear Plate Inner UP	Cast Iron min 4mm thickness
1	13	12048110		Røykhullsdeksel BP	Smoke Outlet Cover BP	Cast Iron min 4mm thickness
1	13	12048640		Røykhullsdeksel WHE	Smoke Outlet Cover WHE	Cast Iron min 4mm thickness
1	14	12048093		Bakplate BP	Rear Plate BP	Cast Iron min 4mm thickness
1	14	12048638		Bakplate WHE	Rear Plate WHE	Cast Iron min 4mm thickness
1	15	12048054		Front bakre høyre BP	Front Rear Right BP	Cast Iron min 4mm thickness
1	16	12048091		Sideplate høyre BP	Side plate right BP	Cast Iron min 4mm thickness
1	16	12048637		Sideplate høyre WHE	Side plate right WHE	Cast Iron min 4mm thickness
1	17	12044799		Stuss uteluft Ø80/100 UP	Connector Outside Air Ø80/100 UP	Cast Iron min 4mm thickness
1	18	12048047	18,37,41,47,48,63(6pcs),67,104,105,106,107,108	Bunnplate m/deler UP	Bottom Plate Incl/Parts UP	Cast Iron min 4mm thickness
1	18	12048676	18,37,41,47,48,63(6pcs),67,104,105,106,107,108	Bunnplate m/deler UP/For enameled stove	Bottom Plate Incl/Parts UP/For enameled stove	Cast Iron min 4mm thickness
1	19	12048098		Brennplate bakre BP	Burn plate rear BP	Cast Iron min 4mm thickness
1	20	12049200		Fyrrist BP	Fire Grate BP	Cast Iron min 4mm thickness
1	21	12049199		Kubbestopper BP	Log retainer BP	Cast Iron min 4mm thickness
1	22	12048125		Sokkel side venstre BP	Base side left BP	Cast Iron min 4mm thickness
1	23	12048123		Sokkel bakplate BP	Base Rear Plate BP	Cast Iron min 4mm thickness
1	24	12048127		Sokkel side høyre BP	Base side right BP	Cast Iron min 4mm thickness
1	25	12048129		Sokkel bunnplate BP	Base Bottom Plate BP	Cast Iron min 4mm thickness
1	26	12048121		Sokkel frontplate BP	Base Front Plate BP	Cast Iron min 4mm thickness
2	27	12048112		Ben venstre framme, høyre bak LL, høyde 350mm BP	Leg Left Front, Right Rear LL, Height 350mm BP	Cast Iron min 4mm thickness,
2	27	12048644		Ben venstre framme, høyre bak LL, høyde 350mm WHE	Leg Left Front, Right Rear LL, Height 350mm WHE	Cast Iron min 4mm thickness,
2	28	12048117		Ben høyre framme, venstre bak LL, høyde 350mm BP	Leg Right Front, Left Rear LL, Height 350mm BP	Cast Iron min 4mm thickness
2	28	12048645		Ben høyre framme, venstre bak LL, høyde 350mm WHE	Leg Right Front, Left Rear LL, Height 350mm WHE	Cast Iron min 4mm thickness
1	30	12048119	3,96(2pcs),97	Dør med pakninger BP	Door Incl. Gaskets BP	
1	30	12051462	3,96(2pcs),97,98 (Before Lot Lot 426313_Pin 20 order 12051313 in addition)	Dør med pakninger WHE	Door Incl. Gaskets WHE	
1	31	10024011		Fjær for klinke	Spring For Latch	Spring Steel
1	32	10047057	If the product is older than pin 437670, 26.01.2017, also order Handle(pos. 1) and Screw(pos. 60).	Krok med aksel	Hook inclusive Bar	steel
1	33	10047065		Glass Dør	Glass Door	512x360mm Ceramic glass 4mm thick
1	34	10047774	55,69,89,76(2pcs),81(2pcs),88(1pcs),56(2pcs)	Hengsel for dør	Hengsel for dør	
1	35	10047877	3 parts	Vermikulitt deler, hvelv og sidebrennplater	Vermiculite parts, Baffle And Side Burn Plates	Vermiculite 600Kg/m³
1	36	51049928		Konveksjonsplate, bak BP	Convection Shield, Rear BP	Steel
1	36	51049929		Konveksjonsplate, bak WP	Convection Shield, Rear WP	Steel
2	37	10026515		Hylse luftventil	Sleeve For Air Valve	Ø12XØ8X4,5mm, Steel
1	38	10024264		Fjær	Spring	Stainless Spring Steel
1	39	10047364		Ventilarm	Valve Rod	Steel
1	40	10047058		Lufthendel BP	Air Handle BP	Steel
1	41	10025839		Hylse til hendler	Sleeve For Handles	Ø10XØ8,1X31mm, Steel
1	42	10026565		Fjær for ventiler	Spring For Valves	Stainless Spring Steel
1	43	10047363		Opptenningshendel BP	Ignition Handle BP	Steel
1	44	10047056		Deksel innluft	Cover Inlet Air	Steel
1	45	10047366		Opptenningsventil	Ignition Valve	Steel

Jøtul F 305

Jøtul F 305 R LL BP (Long Legs), cat. no. 30049937, Jøtul F 305 R B BP (Base), cat. no. 30049938, Jøtul F 305 R LL WHE (Long Legs), cat. no. 30049939						
Jøtul F 305 LL BP (Long Legs), cat. no. 30044996, Jøtul F 305 B BP (Base), cat. no. 30046816, Jøtul F 305 LL WHE (Long Legs), cat. no. 30047335						
BP= Sort lakk/Black Paint, UP= Ulakkert/Unpainted, BE= Black Enamel, WHE=White Enamel, WP=White Paint						
Quantity	Pos. no.	Spareparts	Consist of pos.no.:	Benevnelse	Description	Dim./Spec.
2	46	10047202		Ventilfjær	Valve Spring	Spring Steel
1	47	10047059		Luftventil	Air Valve	Steel
1	48	10047060		Ventilplate	Valve Plate	Steel
1	49	10047074		Lås Brakett	Lock Bracket	Steel
1	50	10047095		Askeskuff	Ash Pan	Steel
1	51	10047130		Deksel for sokkel og askeleppe BP	Cover For Base and Ash Lip BP	Steel
1	52	10048873		Skjermplate under BP og UP	Heatshield Under BP and UP	Steel
1	53	10047169		Deksel uteluft for sokkel BP	Cover Outside Air For Base BP	Steel
4	54	10038419		Høydejusteringskrue M8x30	Hight Adjustment Screw M8x30	Steel
1	55			Hengselblad	Hinge Blade	Steel
4	56	10038342		Hengsel sintret	Hinge Sintret	Sint, C50
1	57	10037359	ONLY FOR BLACK PAINTED PRODUCTS	Hylse	Sleeve	Ø10XØ8X15mm, Steel
1	58	10026400		Avstandshylse	Distance Sleeve	Steel
1	60	10023576	If the product is older than pin 437670, 26.01.2017, Handle(pos. 1) and Hook (pos.32) is needed.	Skruer Gjengestift med Hul ende M6x25	Screw Socket Set with Cup point M6x25	Steel
4	61	10023578		Skive M10 svart, spesial	Washer M10 Black, Special	Ø10,5xØ25x1,5 Steel
4	62	10023545		Skruer sekskant med flens M6x12 DIN 6921	Screw Hex Cap Flange M6x12 DIN 6921	St8.8 / ANSI B18.2
22	63	10023661		Skruer sekskant med flens M8x16 DIN 6921	Screw Hex Cap Flange M8x16 DIN 6921	St8.8 / ANSI B18.2
22	64	10023662		Skruer sekskant med flens M8x20 DIN 6921	Screw Hex Cap Flange M8x20 DIN 6921	St8.8 / ANSI B18.2
2	65	10023588		Skruer Sylinderhode Innv sekskant M6x12 DIN 912	Screw Cylinder Head Int Hexagon M6x12 DIN 912	St8.8 / ANSI B18.2
4	66	10023665		Skruer sekskant med flens M8x40 DIN 6921	Screw Hex Cap Flange M8x40 DIN 6921	St8.8 / ANSI B18.2
3	67	10023522		Skruer sekskanthode M8x60 DIN 933	Screw Hexagon Cap M8x60 DIN 933	St8.8 / ANSI B18.2
2	68	10038283		Skruer sekskanthode M8x80 DIN 933	Screw Hexagon Cap M8x80 DIN 933	St8.8 / ANSI B18.2
4	69	10023556		Skruer senkhode innv sekskant M6x16 DIN 7991	Screw Countersunk Flat Head Int Hex M6x16 DIN 7991	St8.8 / ANSI B18.2
1	69	10023595		Skruer senkhode innv sekskant M8x16 DIN 7991	Screw Countersunk Flat Head Int Hex M8x16 DIN 7991	St8.8 / ANSI B18.2
2	70	10023660		Skruer sekskant med flens M8x12 DIN 6921	Screw Hex Cap Flange M8x12 DIN 6921	St8.8 / ANSI B18.2
4	71	10023680		Skruer plate med flens 4,2x13 DIN 6928	Screw Tapping 4,2x13 DIN 6928	Steel
4	72	10023664		Skruer sekskant med flens M8x30 DIN 6921	Screw Hex Cap Flange M8x30 DIN 6921	St8.8 / ANSI B18.2
1	73	10023656	ONLY FOR BLACK PAINTED PRODUCTS	Skruer senkhode innv sekskant M8x30 DIN 7991	Screw Countersunk Flat Head Int Hex M8x30 DIN 7991	St10.9
1	73	10023547	ONLY FOR ENAMELED PRODUCTS	Skruer sekskant med flens M6x35 DIN 6921	Screw Hex Cap Flange M6x35 DIN 6921	St8.8 / ANSI B18.2
1	73	10023666	ONLY FOR ENAMELED PRODUCTS	Mutter sekskant med flens M6 DIN 6923	Nut Hexagon Cap Flange M6 DIN 6923	St8.8 / ANSI B18.2
9	74	10023559		Skive M8 Ø8,4xØ20x1,5 DIN 522	Washer M8 Ø8,4xØ20x1,5 DIN 522	St8.8 / ANSI B18.2
17	75	10023667		Mutter sekskant med flens M8 DIN 6923	Nut Hexagon Cap Flange M8 DIN 6923	St8.8 / ANSI B18.2
10	76	10023541		Skruer sekskant med flens M6x16 DIN 6921	Screw Hex Cap Flange M6x16 DIN 6921	St8.8 / ANSI B18.2
1	78	10023598		Skive ONDUFLEX D nr. 531241	Washer ONDUFLEX D no. 531241	Steel
6	79	10023712		Skruer gjengestift M8x30 DIN 916	Screw Socket Set M8x30 Steel DIN 916	Steel
3	80	10023708		Skruer linsehode innv sekskant M6x12	Screw Truss Head Int Hex M6x12	Steel
6	81	10023666		Mutter sekskant med flens M6 DIN 6923	Nut Hexagon Cap Flange M6 DIN 6923	St8.8 / ANSI B18.2
2	82	10023540		Skruer sekskant med flens M6x20 DIN 6921	Screw Hex Cap Flange M6x20 DIN 6921	St8.8 / ANSI B18.2
3	83	10023519		Mutter sekskant M8 DIN 934	Nut Hexagon M8 DIN 934	St8.8 / ANSI B18.2
2	84	10023509		Skruer senkhode innv sekskant M8x25 DIN 7991	Screw Countersunk Flat Head Int Hex M8x25 DIN 7991	St10.9
8	85	10023465		Skruer sekskanthode M8x16 DIN 933	Screw Hexagon Cap M8x16 DIN 933	St8.8 / ANSI B18.2
8	86	10026268		Beskyttelseshette M8 sekskant svart	Protection cap M8 Hexagon black	Polypropylene
8	87	10023663		Skruer sekskant med flens M8x25 DIN 6921	Screw Hex Cap Flange M8x25 DIN 6921	St8.8 / ANSI B18.2
2	88	10051183		Hengselpinne med hode Ø8x50 ISO-2341-A	Hinge Pin With Head Ø8x50 ISO-2341-A	Steel
2	89	10023475		Mutter sekskant M6 DIN 934	Nut Hexagon M6 DIN 934	St8.8 / ANSI B18.2
2	90	10023470		Skruer sekskanthode M8x25 DIN 933	Screw Hexagon Cap M8x25 DIN 933	St8.8 / ANSI B18.2
2	91	10023672	Part is not mandatory from factory	Skive Ø10,1xØ19,4x0,9 svart	Washer Ø10,1xØ19,4x0,9 black	Steel
1	92	10023716		Skive Ø35,1xØ9,4x3 SRKB	Washer Ø10,1xØ19,4x0,9	Steel
1	93	10038500		Låsemutter M8 med flens	Lock Nut M8 Collar	Steel
1	95		50027205 (5m)	Pakning til dørglass + ekstra for em. ovn	Gasket Door Glass + Extra For Enameled Stove	LD-250-2 graph Ø6,4x2300mm
2	96		50027204 (5m)	Pakning under glass	Gasket Under Glass	V-125x40mm graph W/A
1	97		50027205 (5m)	Pakning til dørglass	Gasket For Door Glass	LD-250-2 graph Ø6,4x1750mm
1	98		50027203 (5m)	Pakning mellom glassholder og front	Gasket Between Glass Holder And Front	LD 375-2 Ø9,5x2100mm
2	99	10047761		Isolasjonsmatte side	Insulating Blanket Side	Fibre
1	100		50027203 (5m)	Pakning til topp plate	Gasket For Top Plate	LD 375-2 Ø9,5x1800mm
2	101		50027205 (5m)	Pakning til røykstuss deksel	Gasket Smoke Outlet And Cover	LD-250-2 graph Ø6,4x600mm
1	102		50027212 (5m)	Pakning for røykrørstilkobling	Gasket For Flue Connection	WT-187x18,4 W/A L660mm
1	103	10047760		Isolasjonsmatte bak	Insulating Blanket Rear	Fibre
	104		50027201 (5m)	Pakning mellom bunn og deksel innluft	Gasket Between Bottom And Cover Inlet Air	LD-187 graph Ø4,8x1400mm
	105		50027201 (5m)	Pakning 1 mellom bunn ventilplate	Gasket 1 Between Bottom And Valve Plate	LD-187 graph Ø4,8x1300mm
	106		50027205 (5m)	Pakning mellom bunn og askeskuff	Gasket Between Bottom And Ash Pan	LD-250-2 graph Ø6,4x800mm

Jøtul F 305

Jøtul F 305 R LL BP (Long Legs), cat. no. 30049937, Jøtul F 305 R B BP (Base), cat. no. 30049938, Jøtul F 305 R LL WHE (Long Legs), cat. no. 30049939						
Jøtul F 305 LL BP (Long Legs), cat. no. 30044996, Jøtul F 305 B BP (Base), cat. no. 30046816, Jøtul F 305 LL WHE (Long Legs), cat. no. 30047335						
BP= Sort lakk/Black Paint, UP= Ulakkert/Unpainted, BE= Black Enamel, WHE=White Enamel, WP=White Paint						
Quantity	Pos. no.	Spareparts	Consist of pos.no:	Benevnelse	Description	Dim./Spec.
	107		50027201 (5m)	Pakning 2 mellom bunn ventilplate	Gasket 2 Between Bottom And Valve Plate	LD-187 graph Ø4,8x480mm
	108		50027203 (5m)	Pakning mellom bunn og bakplate indre	Gasket Between Bottom And Rear Plate Inner	LD 375-2 Ø9,5x2800mm
8	109		50027204 (5m)	Pakning for konveksjonssett	Gasket For Convection Kit	V-125x60mm graph W/A
			Short Legs (4pcs) 305 cat. no. 51047318 BP, cat. no. 51047340 WHE			
1	110	51047318	52,85(4pcs),86(4pcs),87(4pcs)111,112	Korte Ben (4stk) høyde150mm BP	Short Legs (4 pcs) height 150mm BP	Height 150mm
1	110	51047340	52,85(4pcs),86(4pcs),87(4pcs)111,112	Korte Ben (4stk) høyde150mmWHE	Short Legs (4 pcs) height 150mm WHE	Height 150mm
2	111	12048652		Ben V framme H bak F 105 SL BP	Leg Left Front Right Rear BP	Cast Iron min 4mm thickness
2	111	12048667		Ben V framme H bak F 105 SL WHE	Leg Left Front Right Rear WHE	Cast Iron min 4mm thickness
2	112	12048653		Ben H framme V bak F 105 SL BP	Leg Right Front Left Rear BP	Cast Iron min 4mm thickness
2	112	12048669		Ben H framme V bak F 105 SL WHE	Leg Right Front Left Rear WHE	Cast Iron min 4mm thickness
			Ash Lip For Long And Short Legs, cat. no. 51047339 BP, cat. no. 51047341 WHE			
1	115	51047339	51,116	Askeleppe LL/SL BP	Ash Lip LL/SL BP	
1	115	51047341	51,116	Askeleppe LL/SL WHE	Ash Lip LL/SL WHE	
1	116			Askeleppe for F 305 med ben BP	Ash Lip For F 305 With Legs BP	Cast Iron min 4mm thickness
1	116			Askeleppe for F 305 med ben WHE	Ash Lip For F 305 With Legs WHE	Cast Iron min 4mm thickness
			Spring Self Closing Door, cat. no. 51048254			
1	120	51048254	80,89(2pcs),121,122,123,124,125	Fjær selvlukkende dør	Spring Self Closing Door	
1	121	10047503		Fjær EWES T 31980	Spring EWES T 31980	Spring Steel
1	122	10047505		Selvlukkemekanisme del 1	Self Closing Mechanism Part 1	Steel
1	123	10024107		Skive Ø6,4xØ18x1,6 svart	Washer Ø6,4xØ18x1,6 black	Steel
1	124	10023547		Skrue sekskant med flens M6x35 DIN 6921	Screw Hex Cap Flange M6x35 DIN 6921	St8.8 / ANSI B18.2
1	125	10023590		Skrue Sylinderhode Innv sekskant M6x20 DIN 912	Screw Cylinder Head Int Hexagon M6x20 DIN 912	St8.8 / ANSI B18.2
			Soapstone Top, cat. no. 51048022 BP, cat. no. 51049314 WHE			
1	126	51048022	127,128	Kleber topp komplett BP	Soapstone Top Complete BP	
	126	51049314	127,128	Kleber topp komplett WHE	Soapstone Top Complete WHE	
1	127	12048023		Toppdeksel kleber BP	Cover Soapstone BP	Cast Iron min 4mm thickness
	127	12049809		Toppdeksel kleber WHE	Cover Soapstone WHE	Cast Iron min 4mm thickness
1	128	10047593		Kleber topp	Soapstone Top	Soapstone
			Protection Grid For Sweep Ball, cat. no. 151608			
1	129	151608		Kulefanger Ø150mm	Protection Grid For Sweep Ball Ø 150mm	Steel, Ø150mm
			Outside Air Connection Ø100mm cat no. 51012164			
1	130	51012164		Utelufttilkobling Ø100mm	Outside Air Connection Ø100mm	
			Outside Air Connection Ø80mm cat no. 51047509			
1	131	51047509		Utelufttilkobling Ø80mm	Outside Air Connection Ø80mm	
			Floor Plate Glass (NO/SE/DK/FI), cat. no. 50048171			
1	132	50048171		Gulvplate glass for NO/SE/DK/FI	Floor Plate Glass For NO/SE/DK/FI	W872xD704mm, 6mm thick, tempered
			Floor Plate Glass (Germany) cat. no. 50048173			
1	133	50048173		Gulvplate glass for Tyskland	Floor Plate Glass For Germany	W1172xD804mm, 6mm thick, tempered
			Floor Plate Steel (Germany) cat. no. 51048191			
1	135	51048191		Gulvplate stål for Tyskland BP	Floor Plate Steel For Germany BP	W1172xD1025mm, 1,25mm thick, Black
			Convection Kit Cast Iron, cat. no. 51048012 BP			
1	136	51048012	76(4pcs),109(8pcs),140,141(2pcs),142,143(4pcs),144(4pcs)	Konveksjonssett støpejern BP	Convection Kit Cast Iron BP	
1	140	12049810		Konveksjonssett bakplate BP	Convection Kit Rear Plate BP	Cast Iron min 4mm thickness
2	141	12049811		Konveksjonssett sideplate Høyre/Venstre BP	Convection Kit Side Plate Right/Left BP	Cast Iron min 4mm thickness
1	142	10049340		Konveksjonssett bakplate stål UP	Convection Kit Rear Plate Steel BP	Steel, 1,5mm thick, Aluzinc
4	143	10023645		Skrue Senkhode Innvendig Sekskant M6x40 DIN 7991	Screw Countersunk Flat Head Cap Int Hex M6x40 DIN 7991	St8.8 / ANSI B18.2,Black
4	144	10023647		Starlock uten kapsel Ø6XØ15 svart	Attachment Washer Ø6XØ15 Black	Steel
1	145	10023666		MUTTER 6K M/FL M6 ST8,8 FOSFAT	Nut Hexagon Cap Flange M6 DIN 6923	St8.8 / ANSI B18.2
1	146	10023709		SKR SENKH INNØ6K M6X30 FOSFAT	Screw Countersunk Flat Head Cap Int Hex M6x30 DIN 7991	St8.8 / ANSI B18.2,Black

Jøtul F 305

Jøtul F 305 R LL BP (Long Legs), cat. no. 30049937, Jøtul F 305 R B BP (Base), cat. no. 30049938, Jøtul F 305 R LL WHE (Long Legs), cat. no. 30049939						
Jøtul F 305 LL BP (Long Legs), cat. no. 30044996, Jøtul F 305 B BP (Base), cat. no. 30046816, Jøtul F 305 LL WHE (Long Legs), cat. no. 30047335						
BP= Sort lakk/Black Paint, UP= Ulakkert/Unpainted, BE= Black Enamel, WHE=White Enamel, WP=White Paint						
Quantity	Pos. no.	Spareparts	Consist of pos.no:	Benevnelse	Description	Dim./Spec.
1			Adaptor ø149 outside			
		50012839		Adapter Tysk Ø 149 utv BP	Adaptor Germany ø149 outs BP	Steel
						<i>Drawing no. 900177-P08</i>