

SCAN 5004 FRL

ACCESSORIES



21052987 Scan 5004 FRL complete

Consisting of:

- 30052587 Scan 5004 FRL**
- 50052627 Convection cover, top**

Additional accessories:

- 50052627 Convection cover, top**
- 50052628 Frame 1, 90 degrees bent, top/back**
- 50052629 Frame 2, 90 degrees bent, top/back/bottom**
- 50052633 Heat-accumulating stones Ø200 mm**
- 50054151 Fresh air box for bottom** (outside Ø145/150 mm - inside Ø135/130 mm)
- 50054935 Handling kit**
- 50059023 Adjustable legs, 190 mm**
- 51052597 Convection air grids (2 pcs.)**

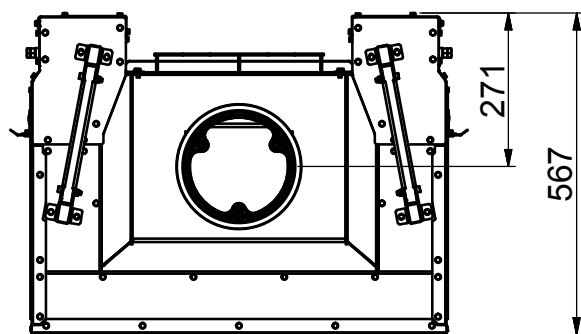
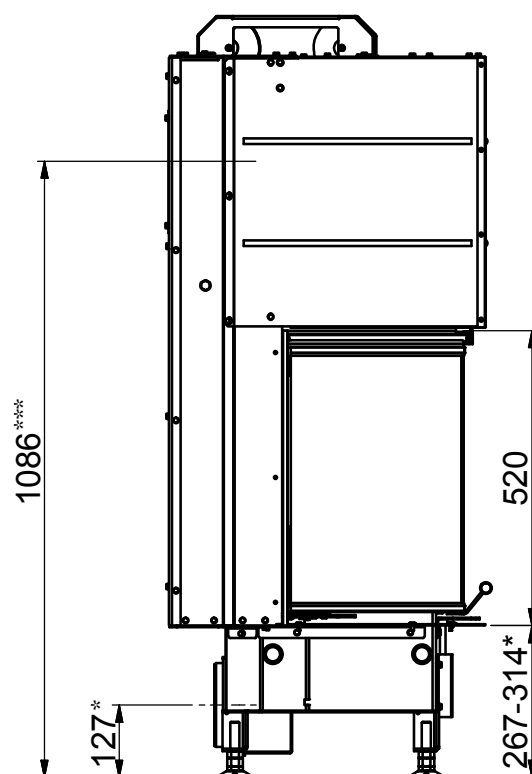
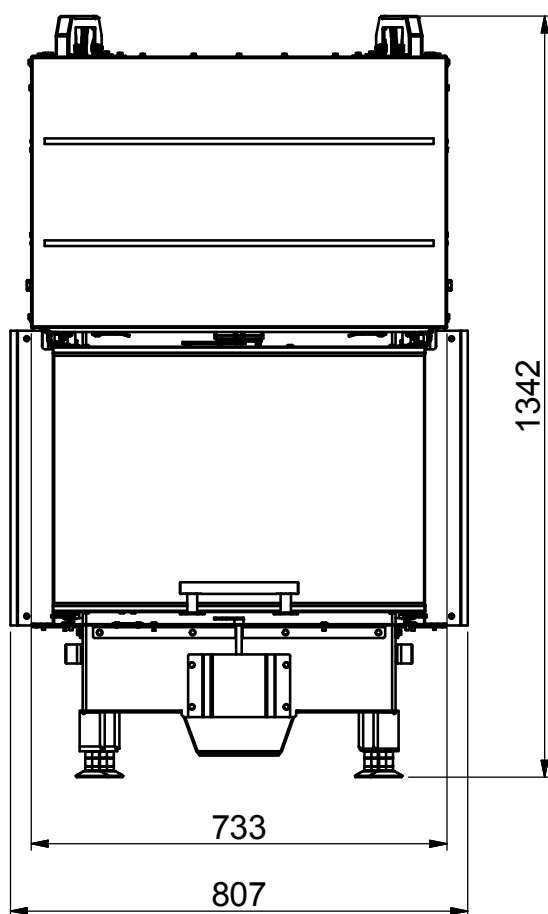
SCAN 5004 FRL

ACCESSORIES



30052587

Scan 5004 FRL



All distances are in mm.

* Connection of fresh-air intake - inside measure: $\varnothing 132$ mm - outside measure: $\varnothing 149$ mm

*** Height to the beginning of flue connecting piece at top/rear outlet,
flue conn. piece - inside measure: $\varnothing 175$ mm - outside measure: $\varnothing 200$ mm

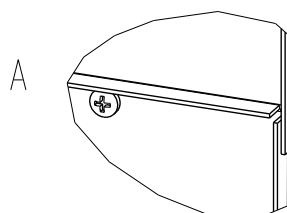
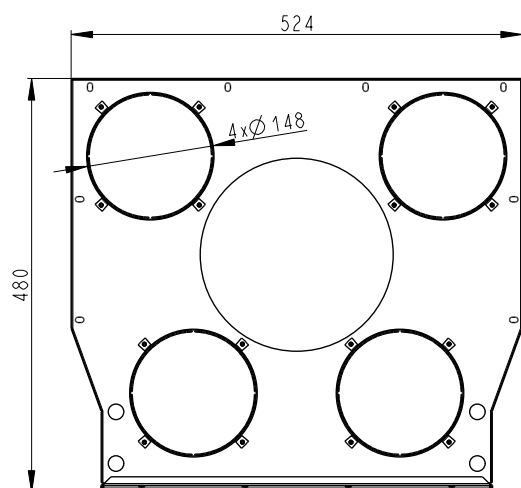
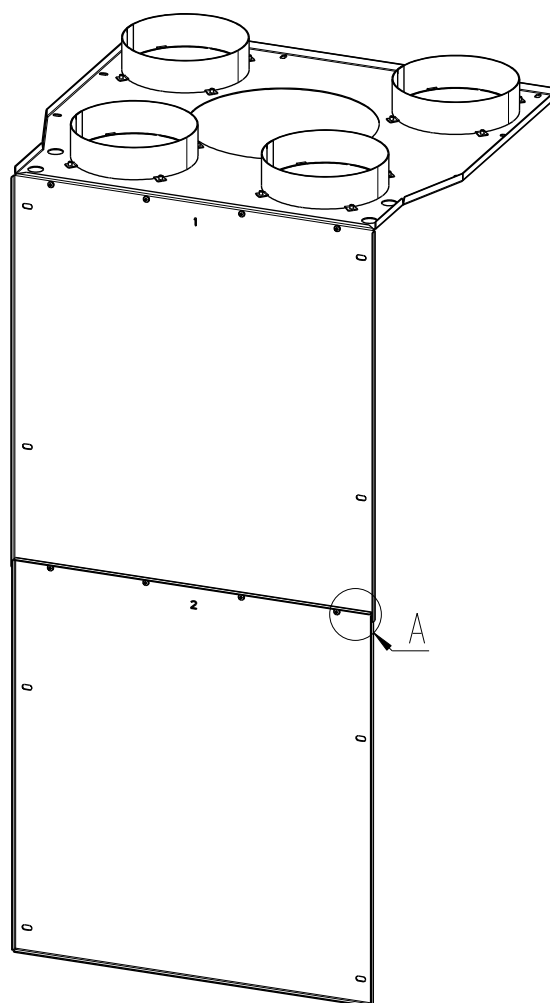
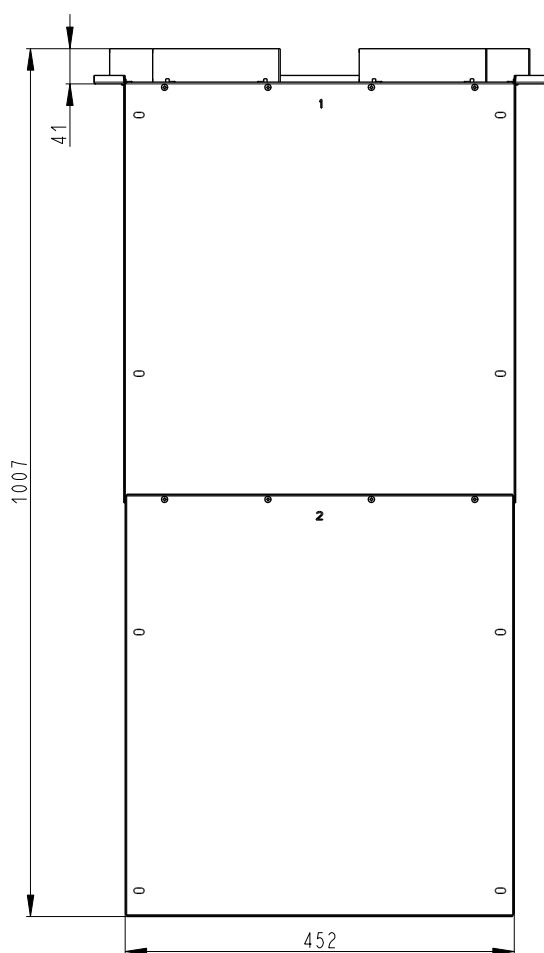
SCAN 5004 FRL

ACCESSORIES



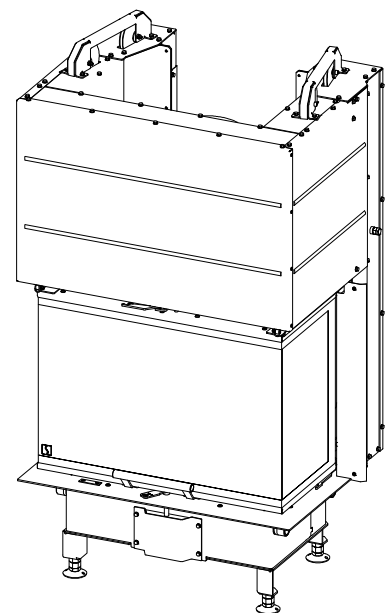
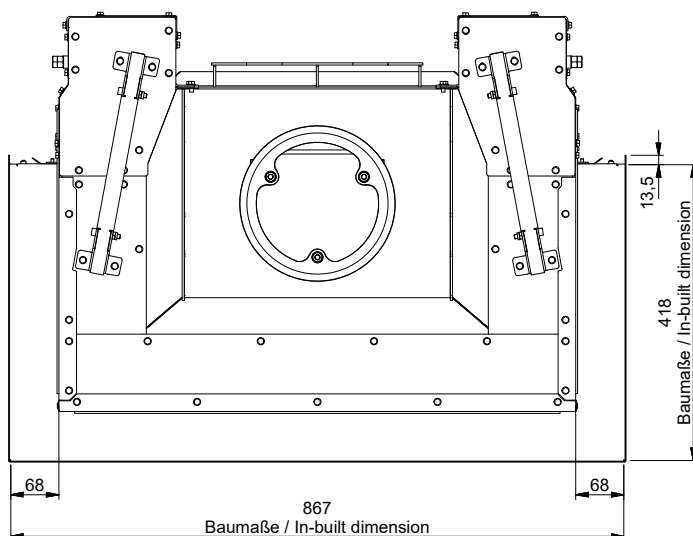
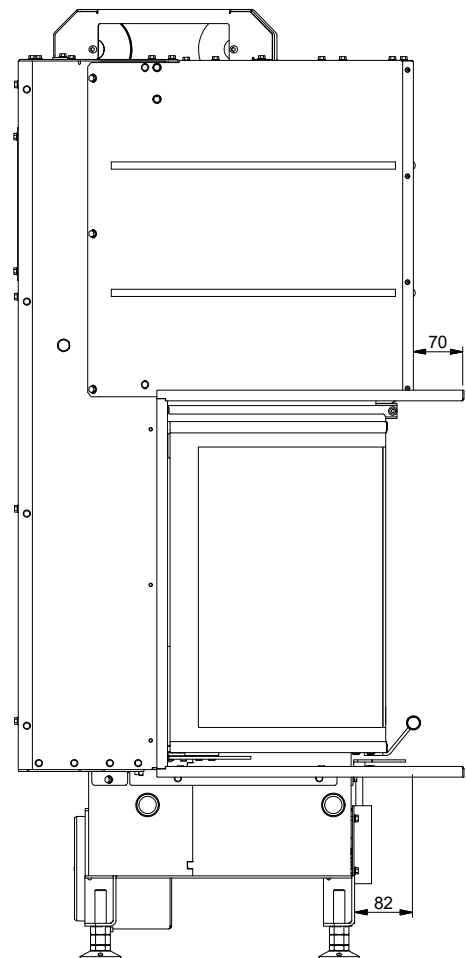
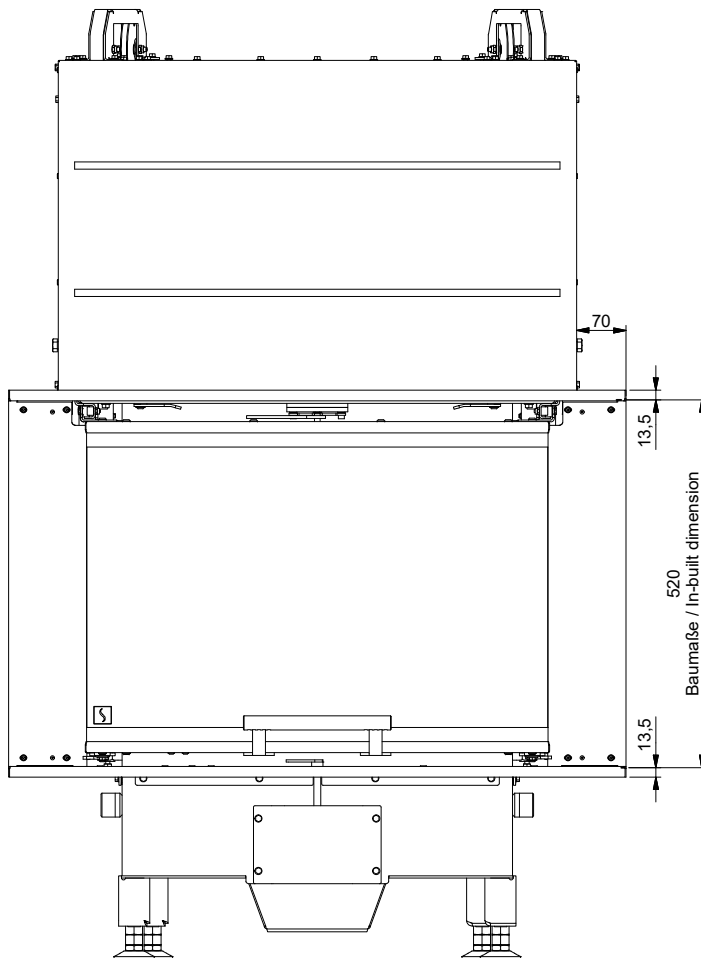
50052627

Convection cover, top



SCAN 5004 FRL

ACCESSORIES



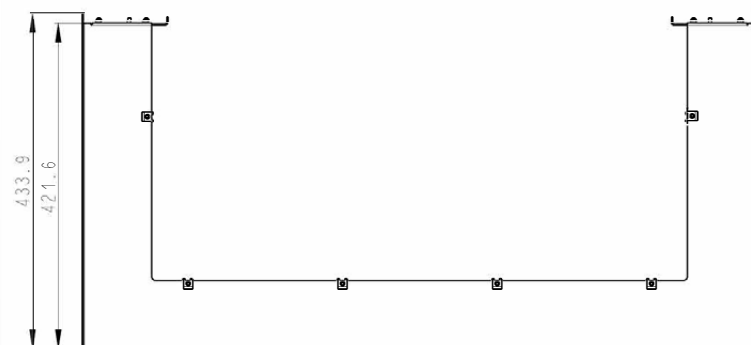
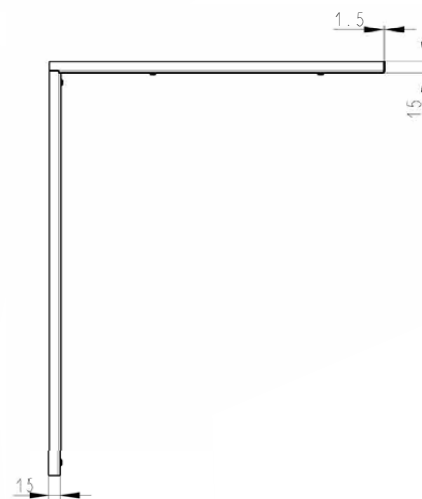
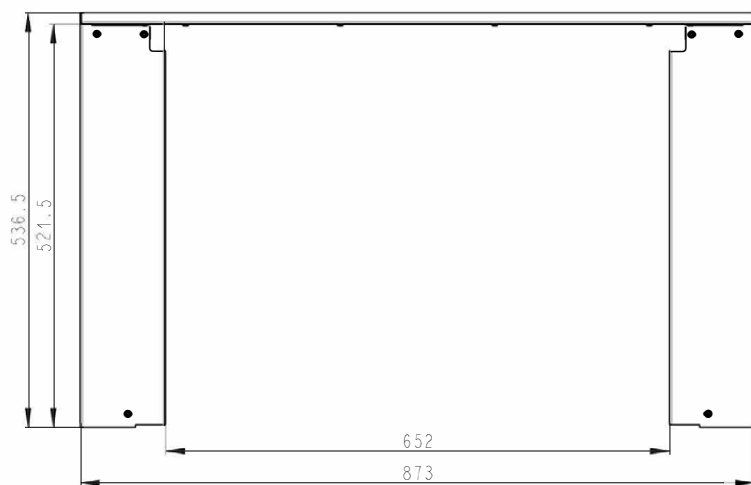
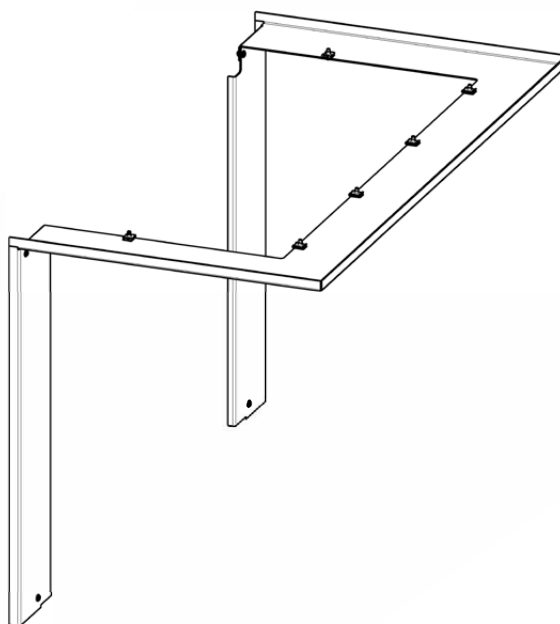
SCAN 5004 FRL

ACCESSORIES



50052628

Frame 1, 90 degrees bent, top/back



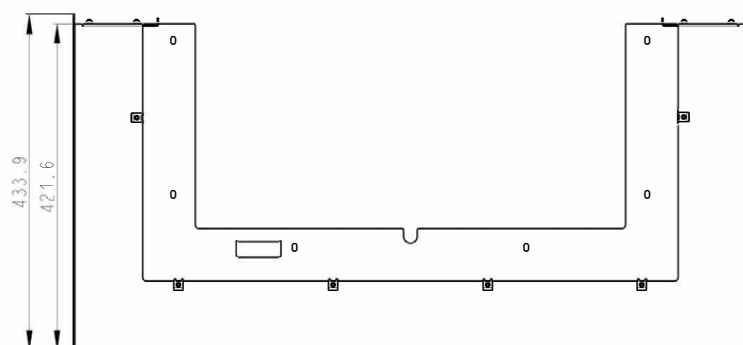
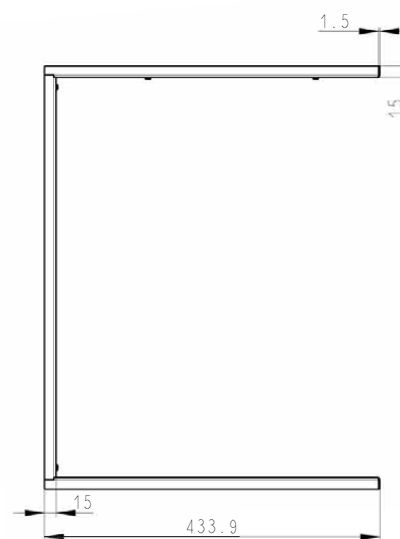
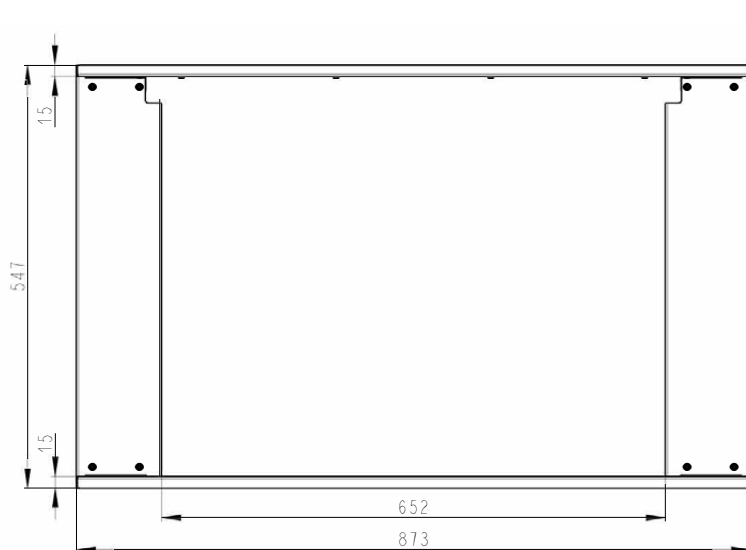
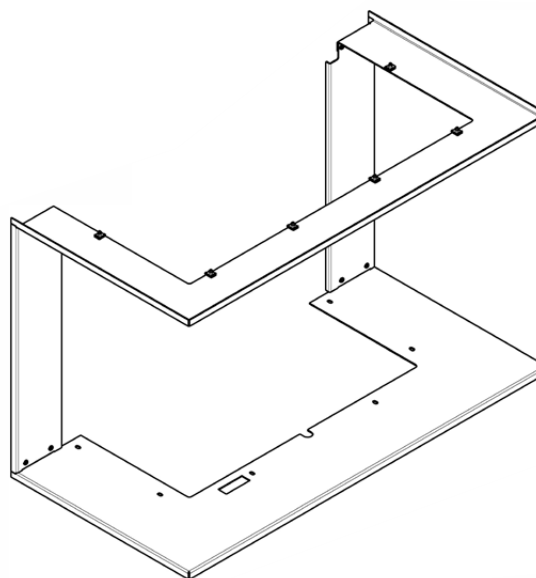
SCAN 5004 FRL

ACCESSORIES



50052629

Frame 2, 90 degrees bent, top/back/bottom



SCAN 5004 FRL

ACCESSORIES



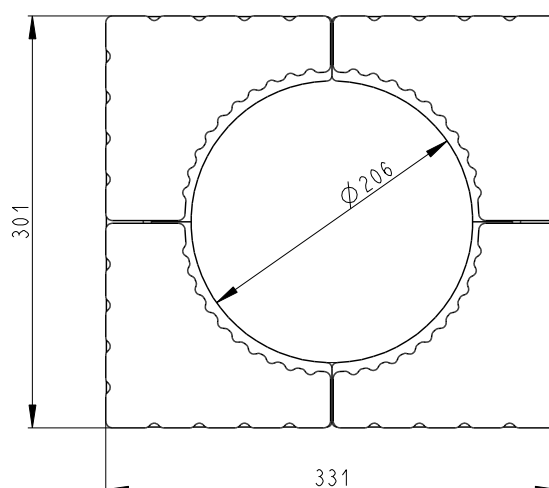
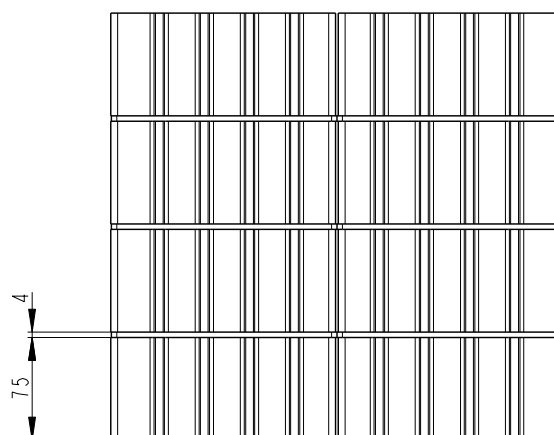
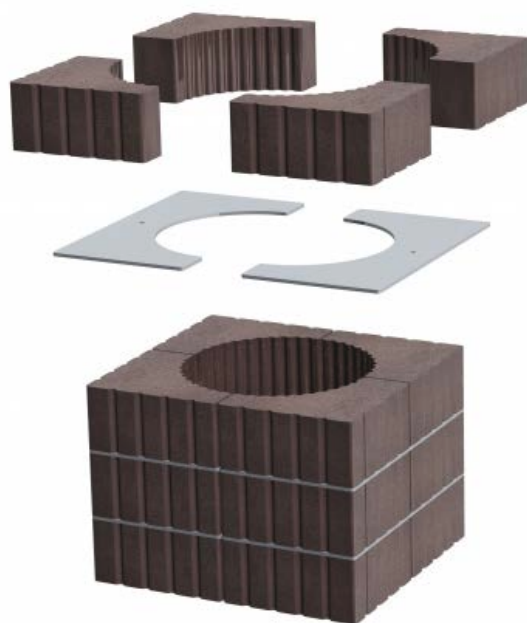
50052633

Heat-accumulating stones Ø200 mm

Heat-storage stones are made from a special material with a high heat capacity. The stones are heated when the stove is on, re-releasing heat once it is off. This extends the time over which the stove remains warm.

The stones can not be used with the heat shield/convection covers!

70 kg



SCAN 5004 FRL

ACCESSORIES

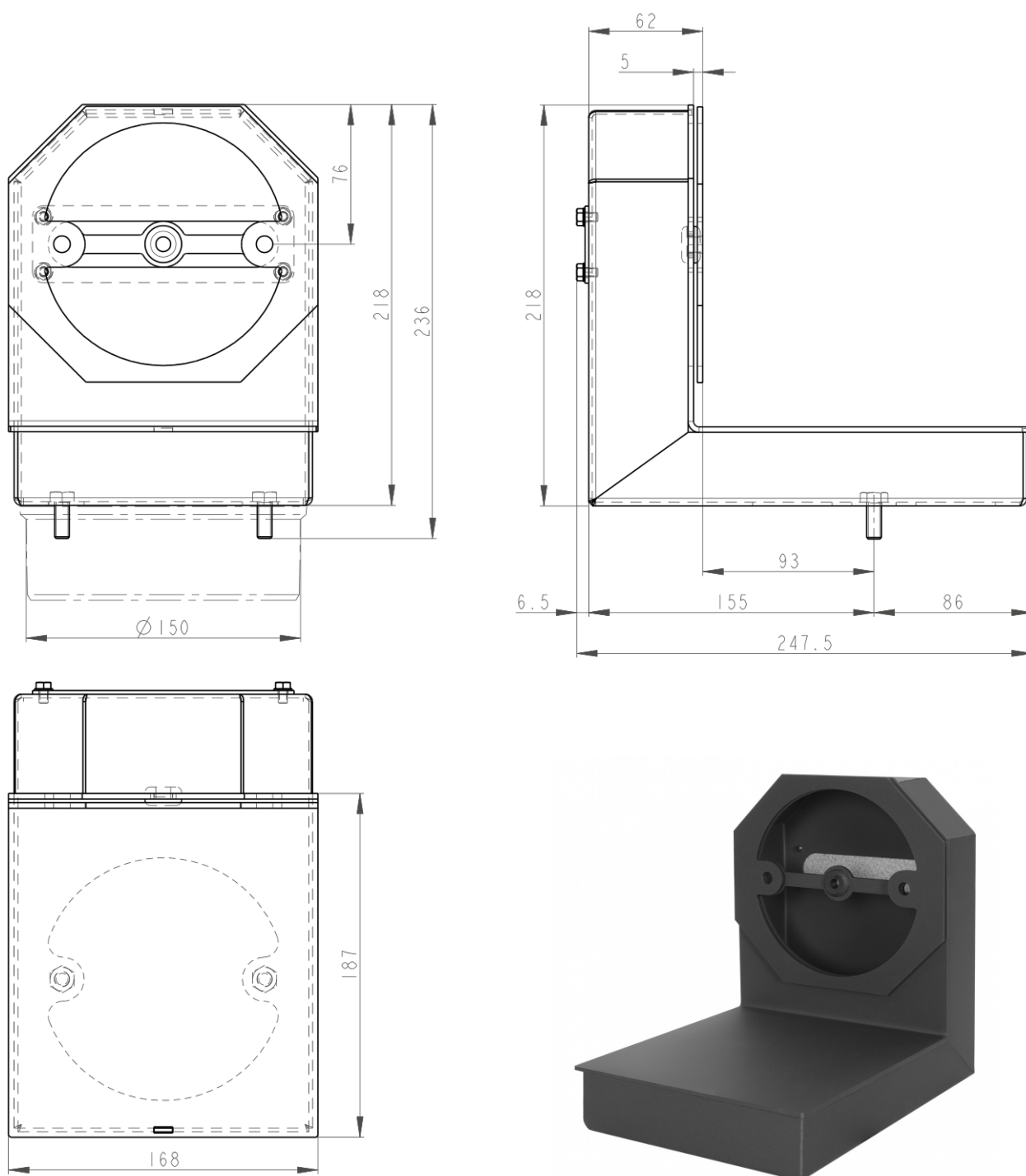


50054151

Fresh air box for bottom

(outside $\varnothing 145/150$ mm - inside $\varnothing 135/130$ mm)

For this box, you need a connection pipe ($\varnothing 150$ mm) which can be purchased in most D.I.Y.-stores.



SCAN 5004 FRL

ACCESSORIES

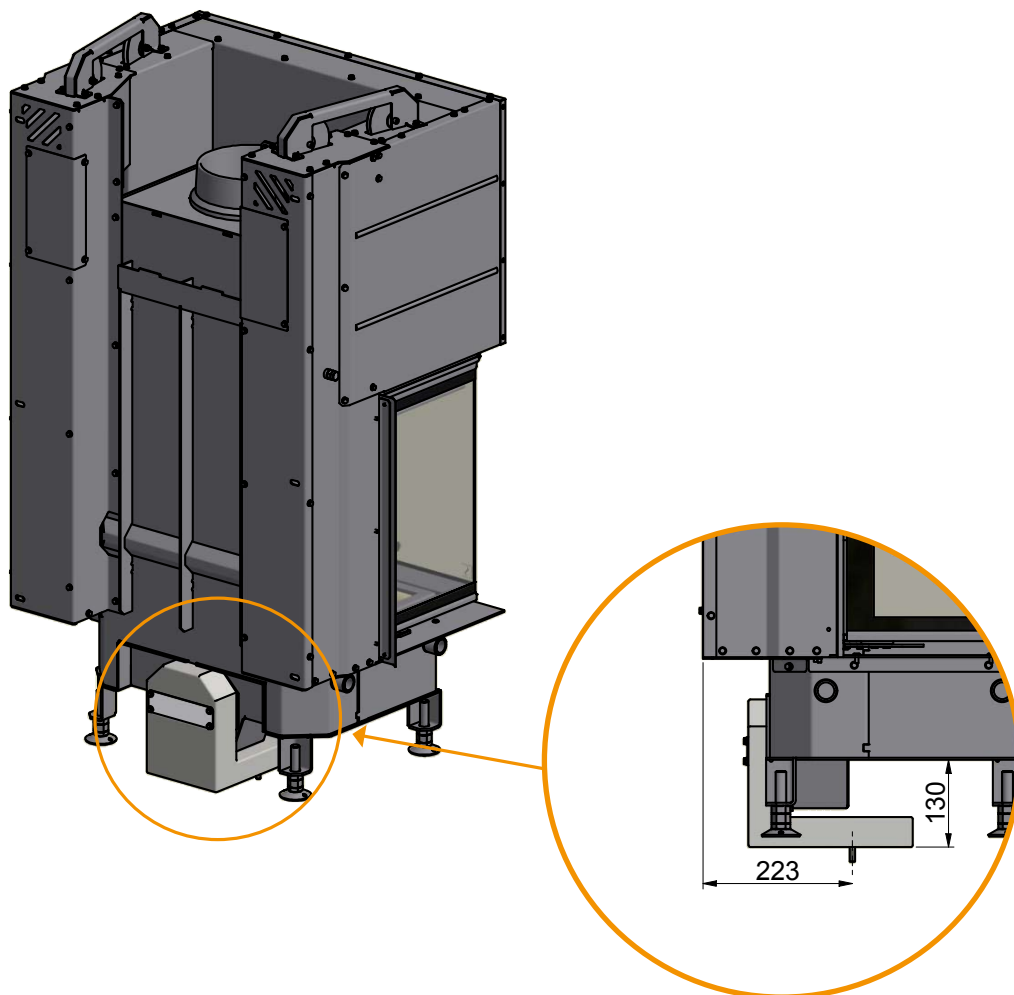


50054151

Fresh air box for bottom

(outside Ø145/150 mm - inside Ø135/130 mm)

For this box, you need a connection pipe (Ø 150 mm) which can be purchased in most D.I.Y.-stores.



SCAN 5004 FRL

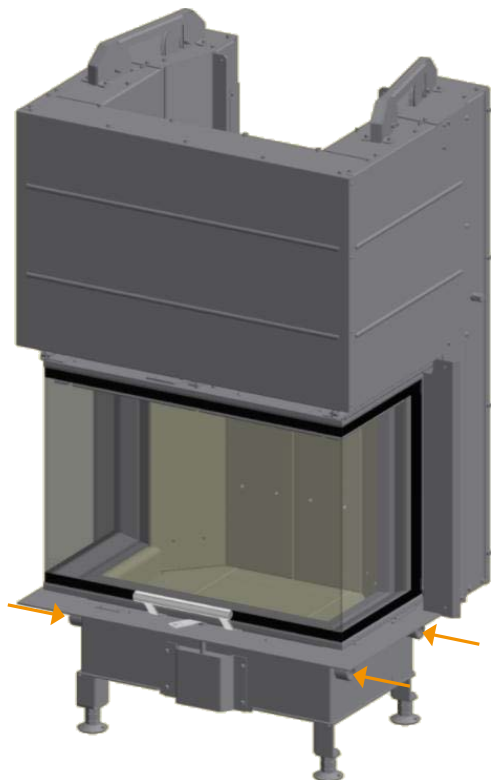
ACCESSORIES



50054935

Handling kit

Install the four tubes through the holes in order to lift the built-in stove.



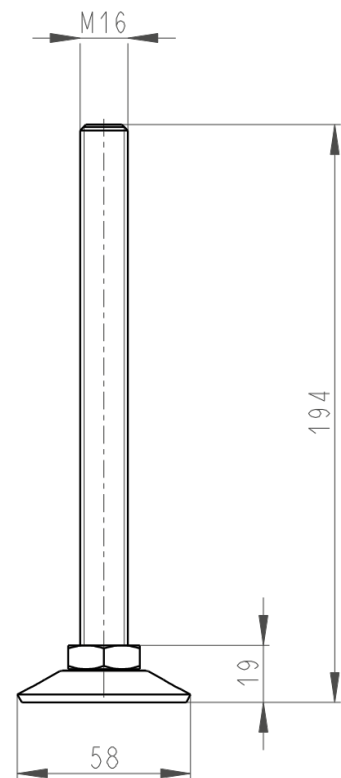
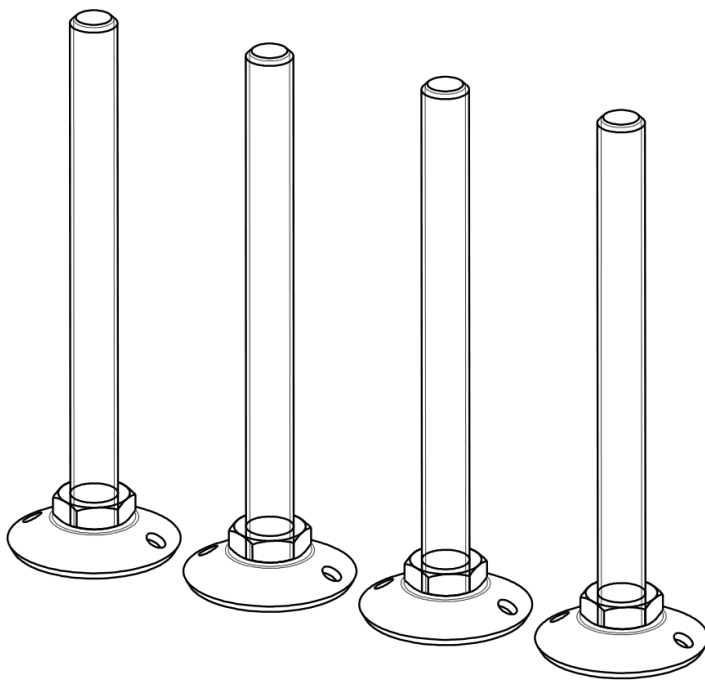
SCAN 5004 FRL

ACCESSORIES



50059023

Adjustable legs, 190 mm



SCAN 5004 FRL

ACCESSORIES



51052597

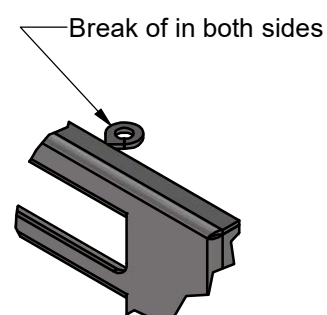
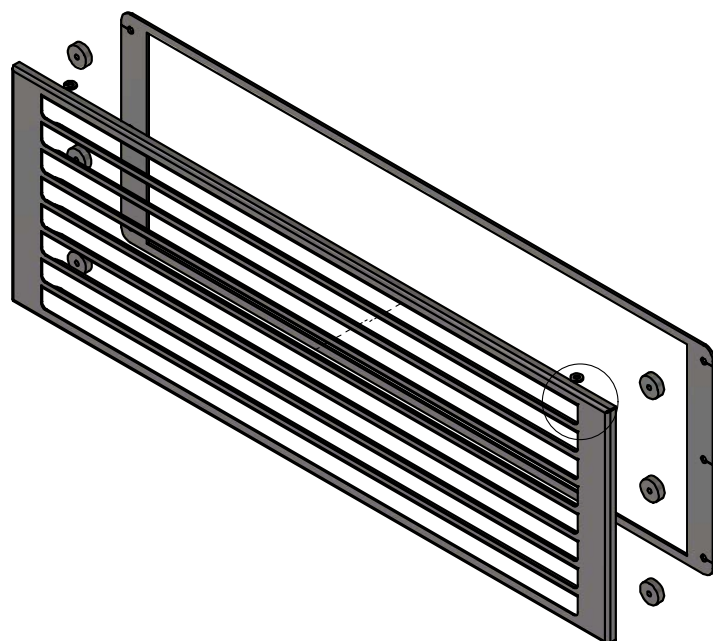
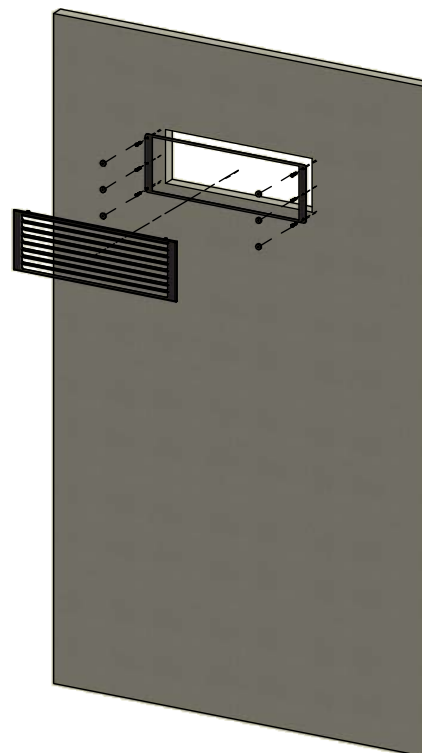
Convection air grids (2 pcs.)

1

Cut a hole in the wall according to the indicated measures

2

Fasten the metal frame with the six screws.
Then mount the six magnets on the screws and place the convection grate on the magnets



Size of hole in wall

