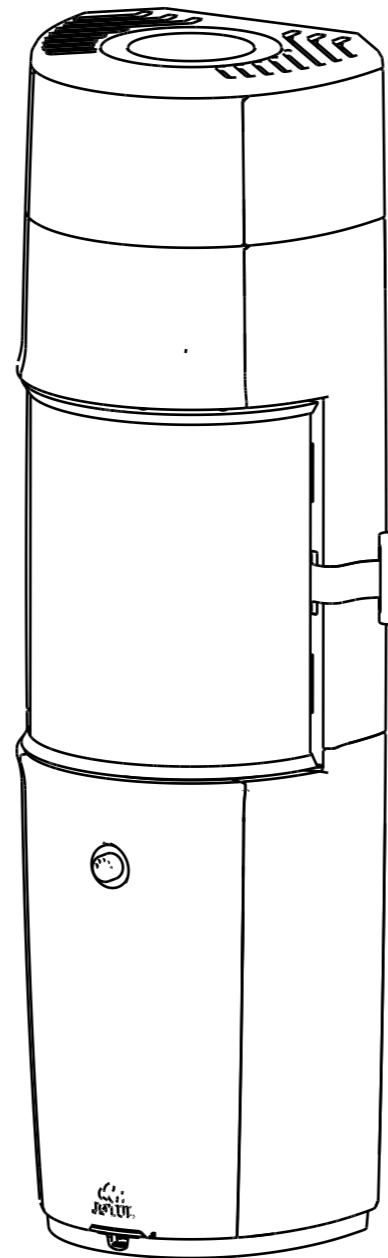
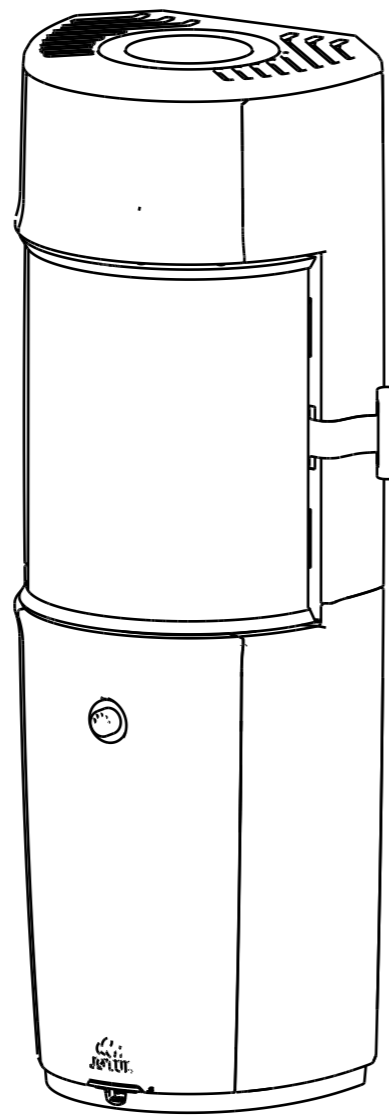


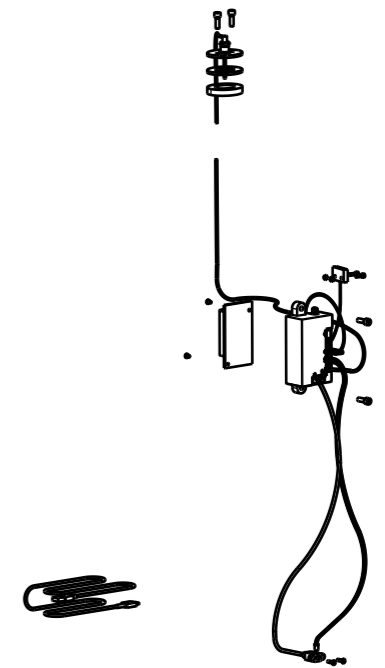
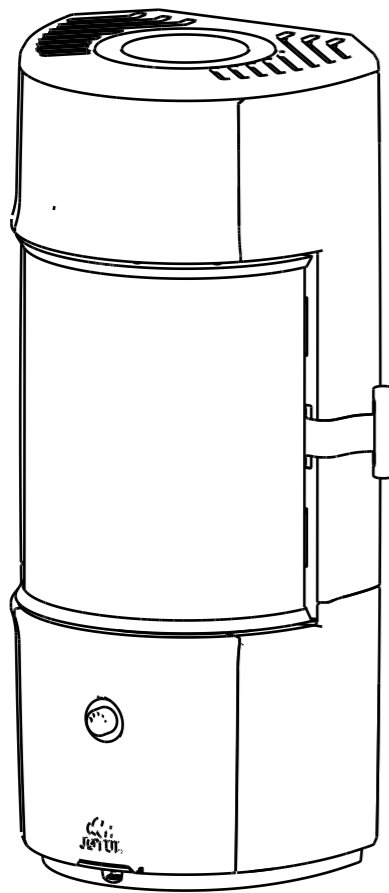
JØTUL F 176 ZENSORIC  
Mantle page 2



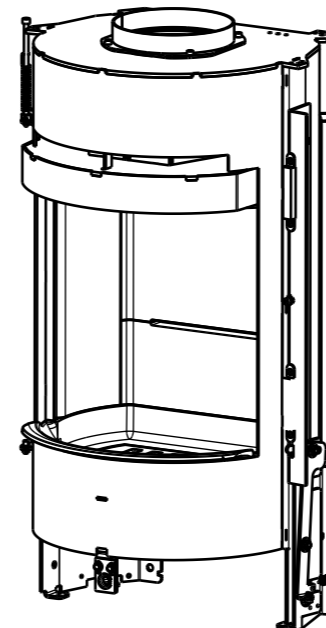
JØTUL F 174 ZENSORIC  
Mantle page 2



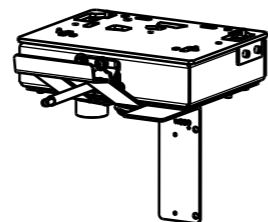
JØTUL F 171 ZENSORIC  
Mantle page 2



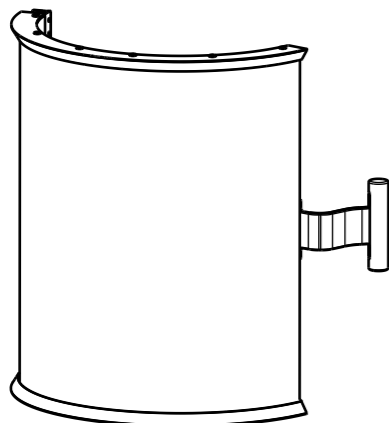
Burn Chamber Page 4



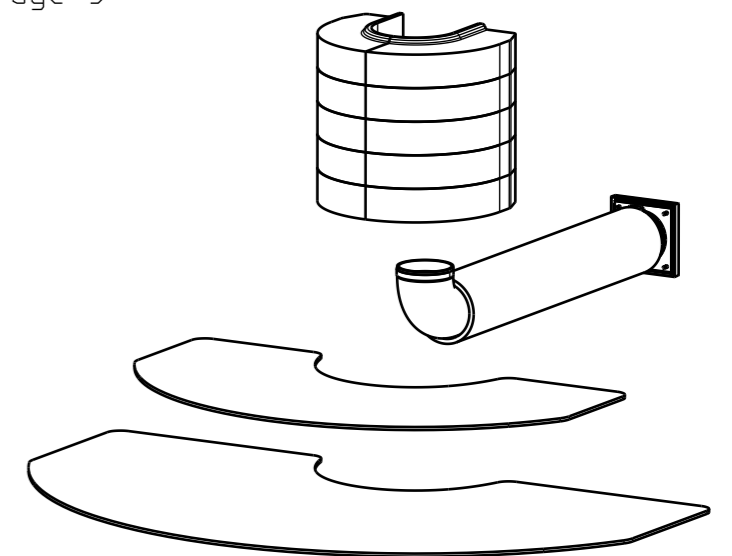
Air Box  
Page 3



Door Page 3

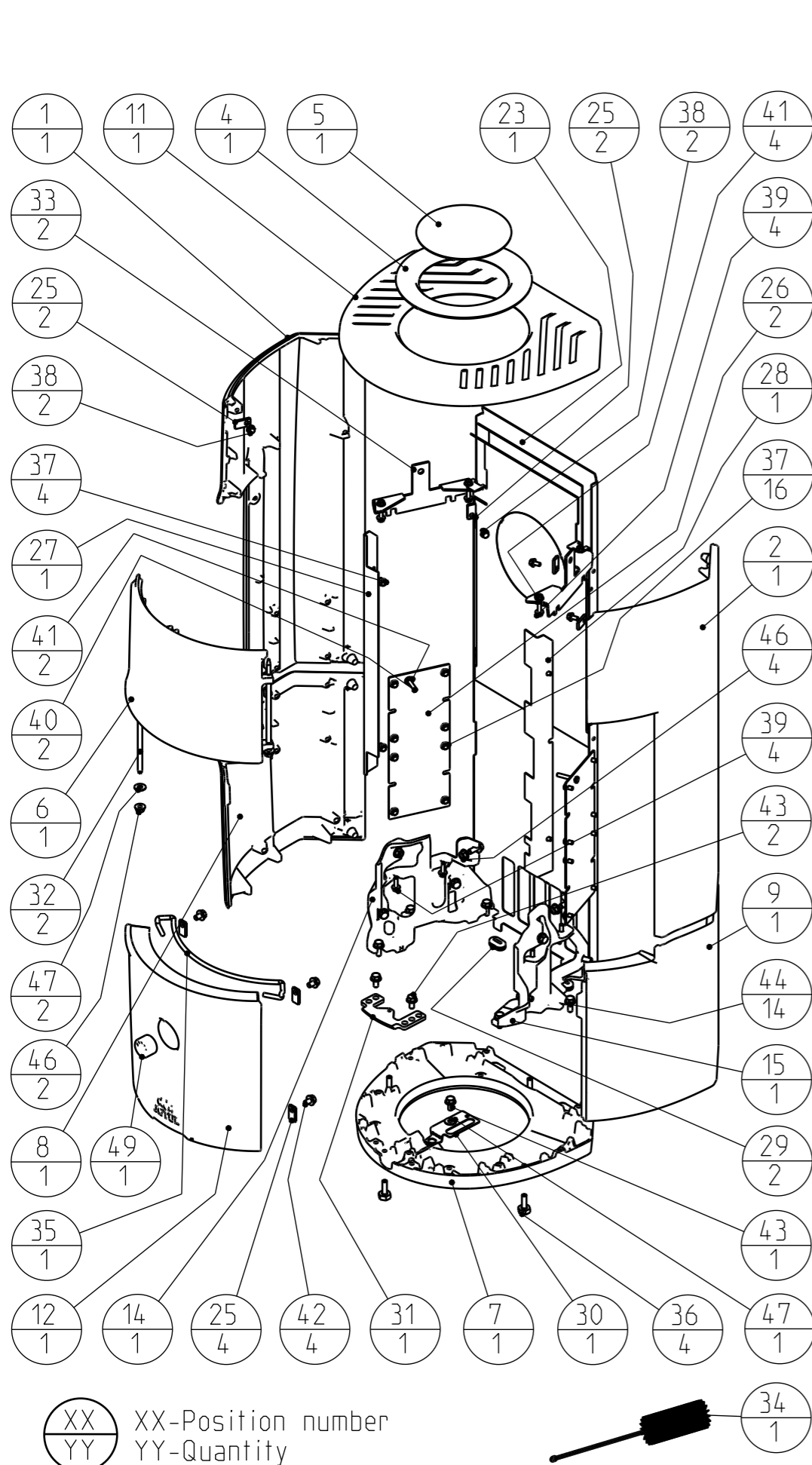


Optional equipment  
Page 5

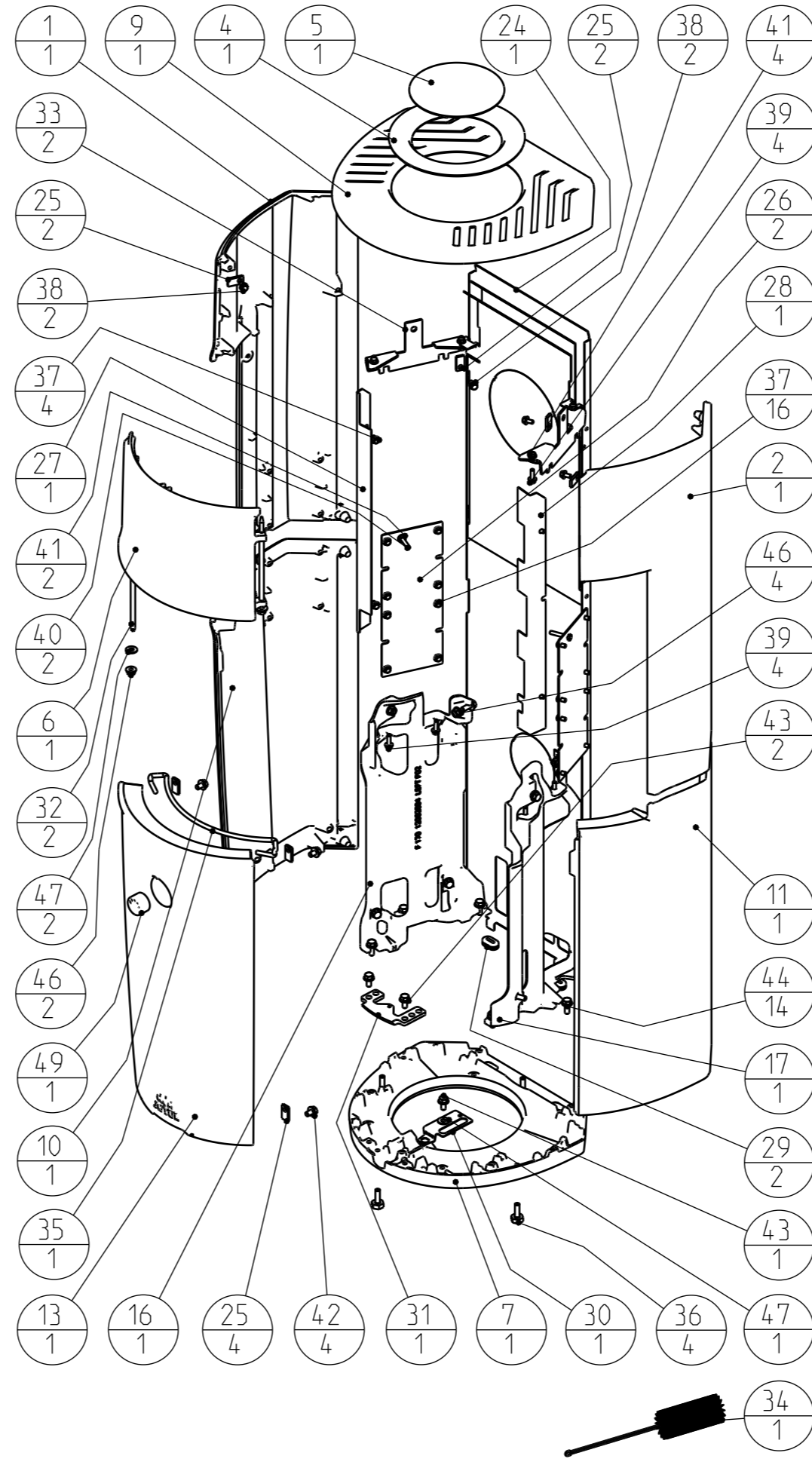


Partlist, Jøtul F 170

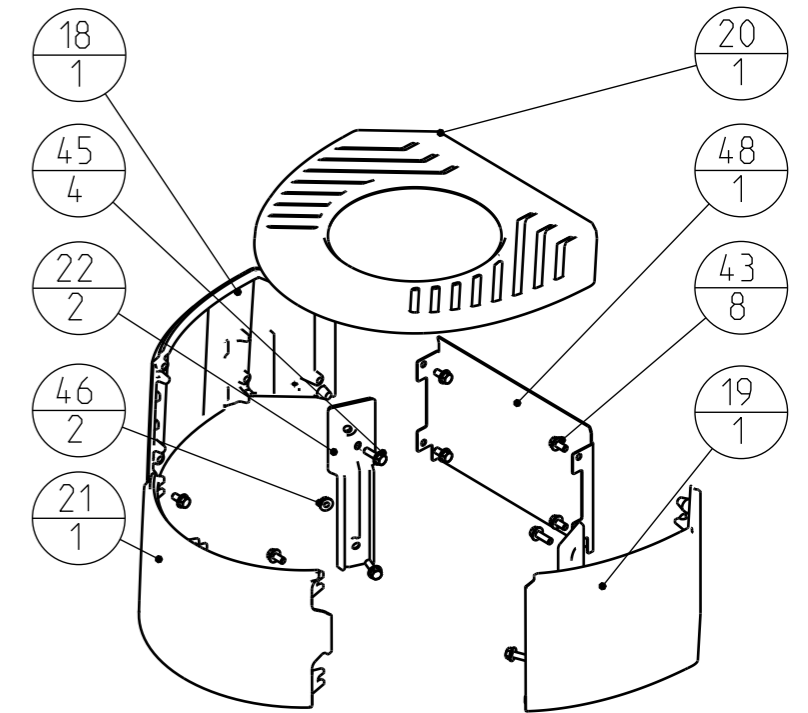
Mantle F 171



Mantle F 174



Mantle F 176 =  
Mantle F 174 +  
High Top F 176

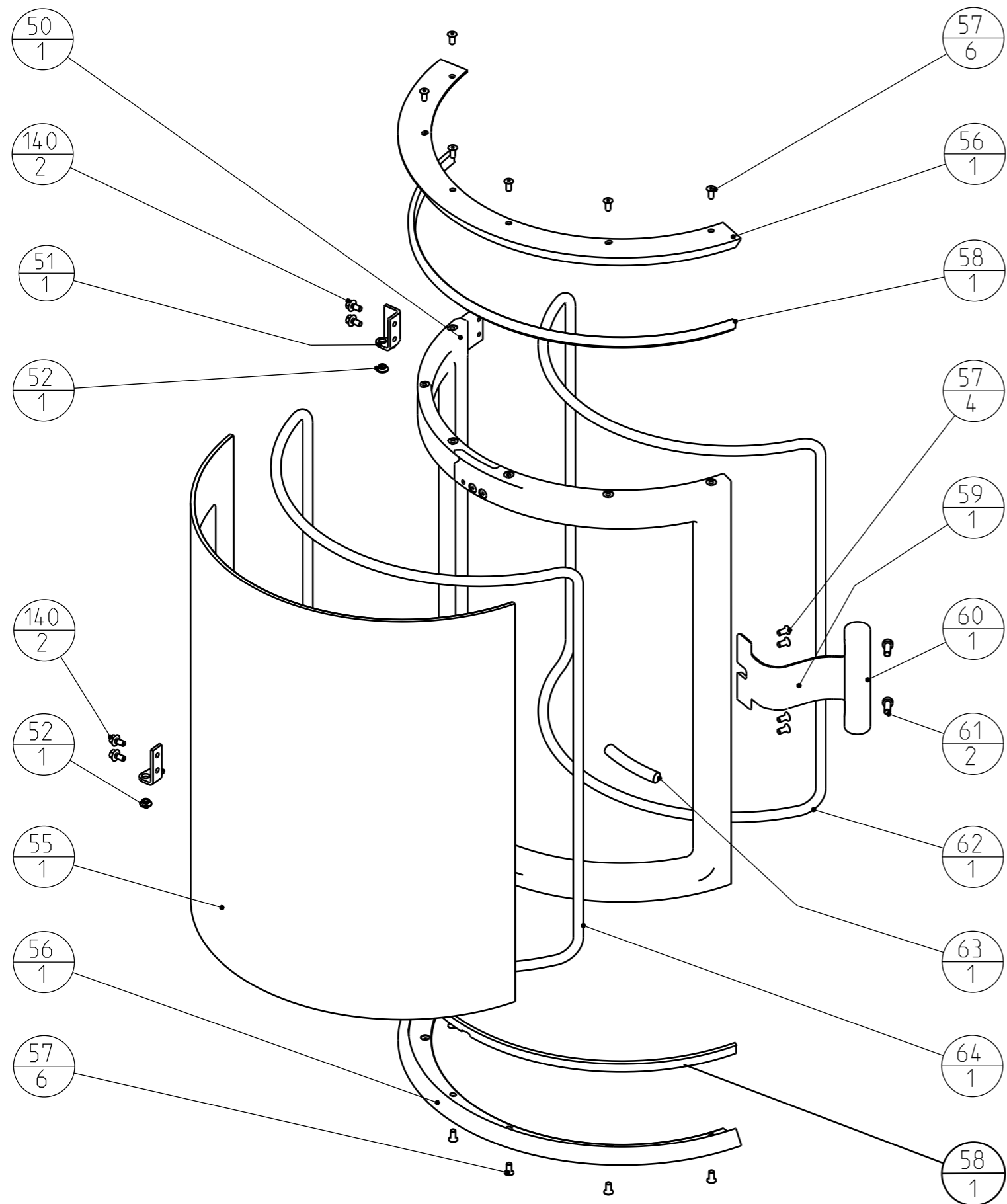


Regarding Top Plate Pos. 3  
This is not used on High Top F 176 !

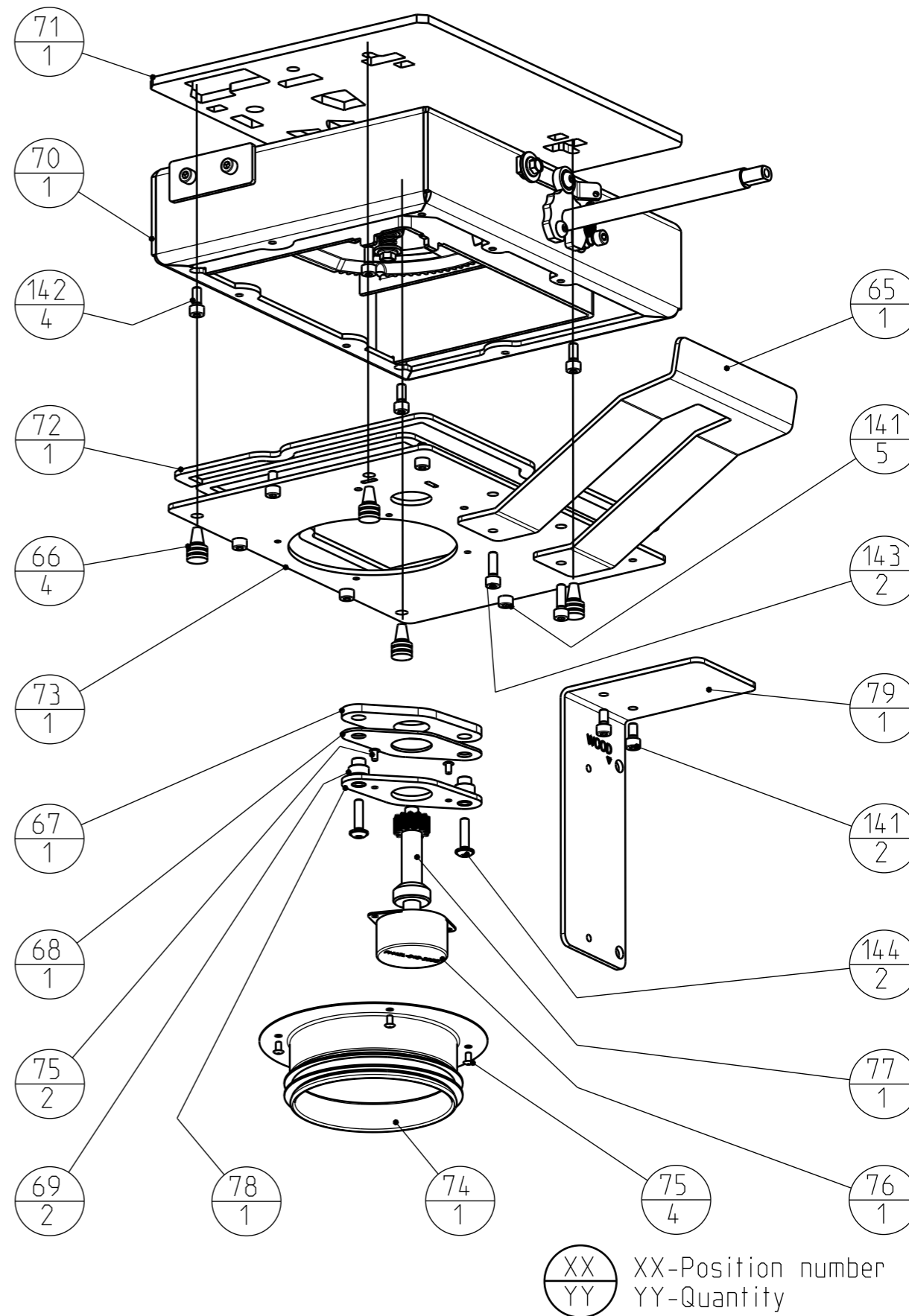
XX-Position number  
YY-Quantity

Partlist, Jøtul F 170		
Jøtul AS Fredrikstad, Norway	Draw.no: 900369-P02 Page. 2 of 5	Date: 21.05.2024

Door

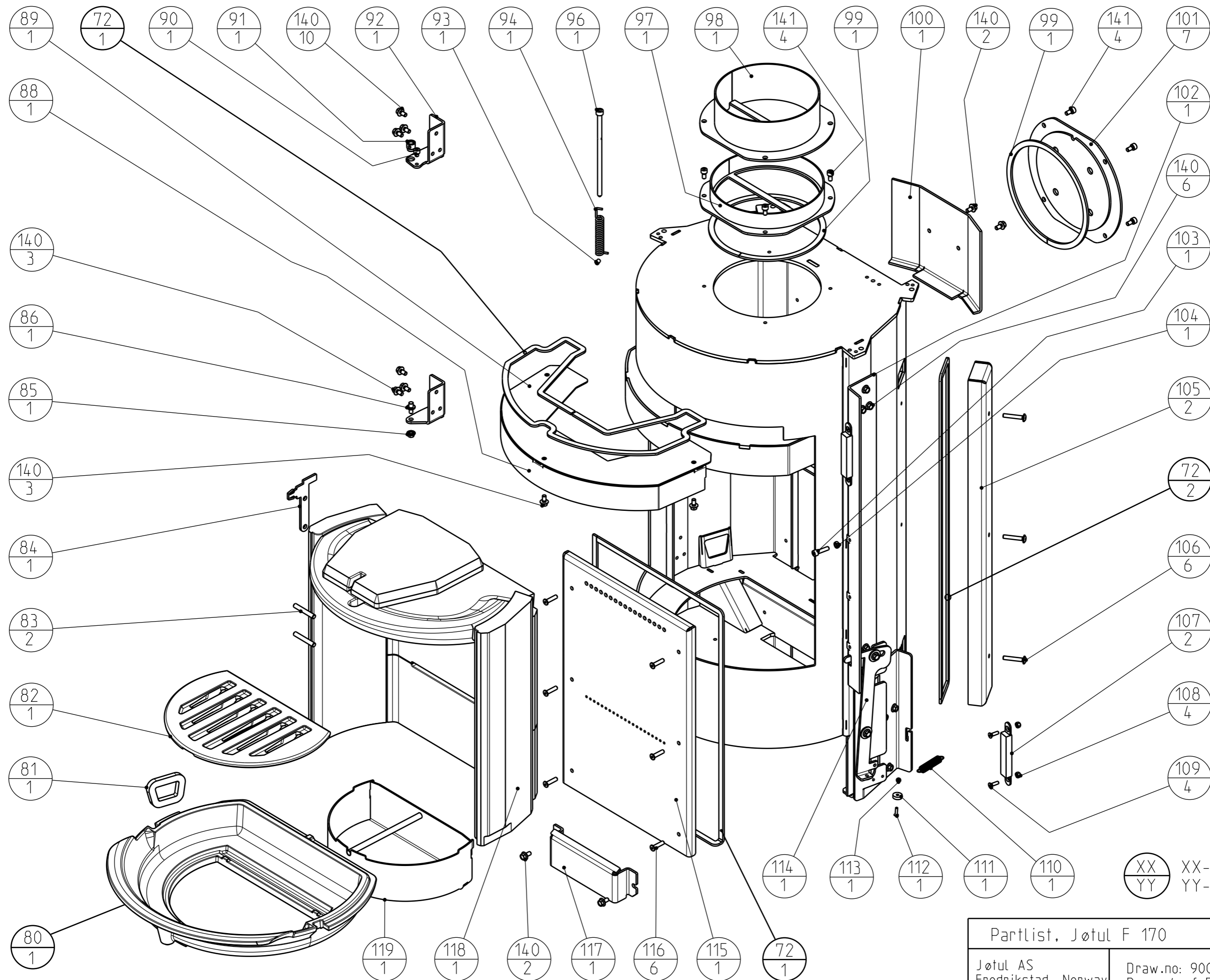


Air Box V3



XX XX-Position number  
YY YY-Quantity

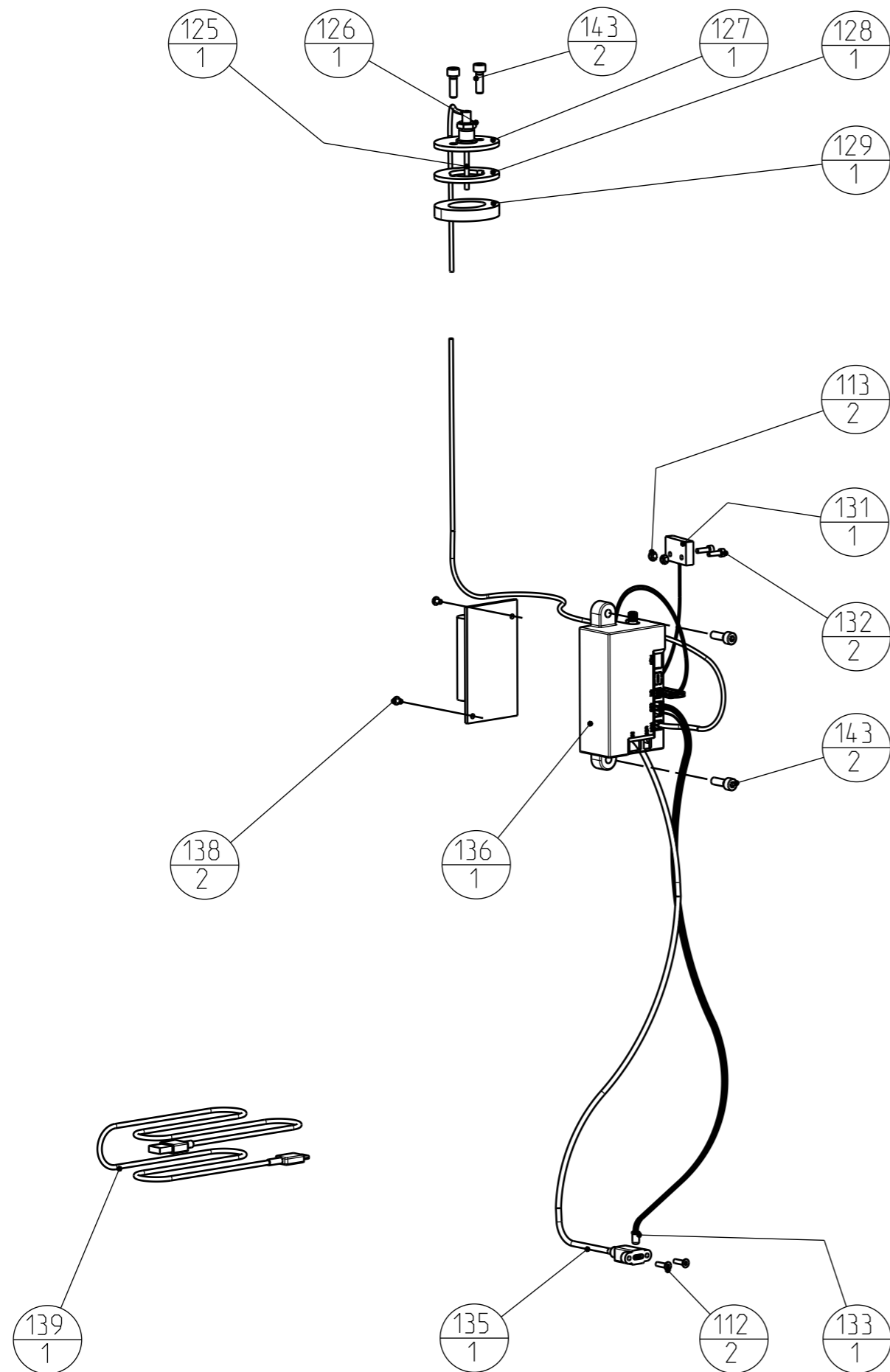
Partlist, Jøtul F 170		
Jøtul AS Fredrikstad, Norway	Draw.no: 900369-P02 Page. 3 of 5	<none>



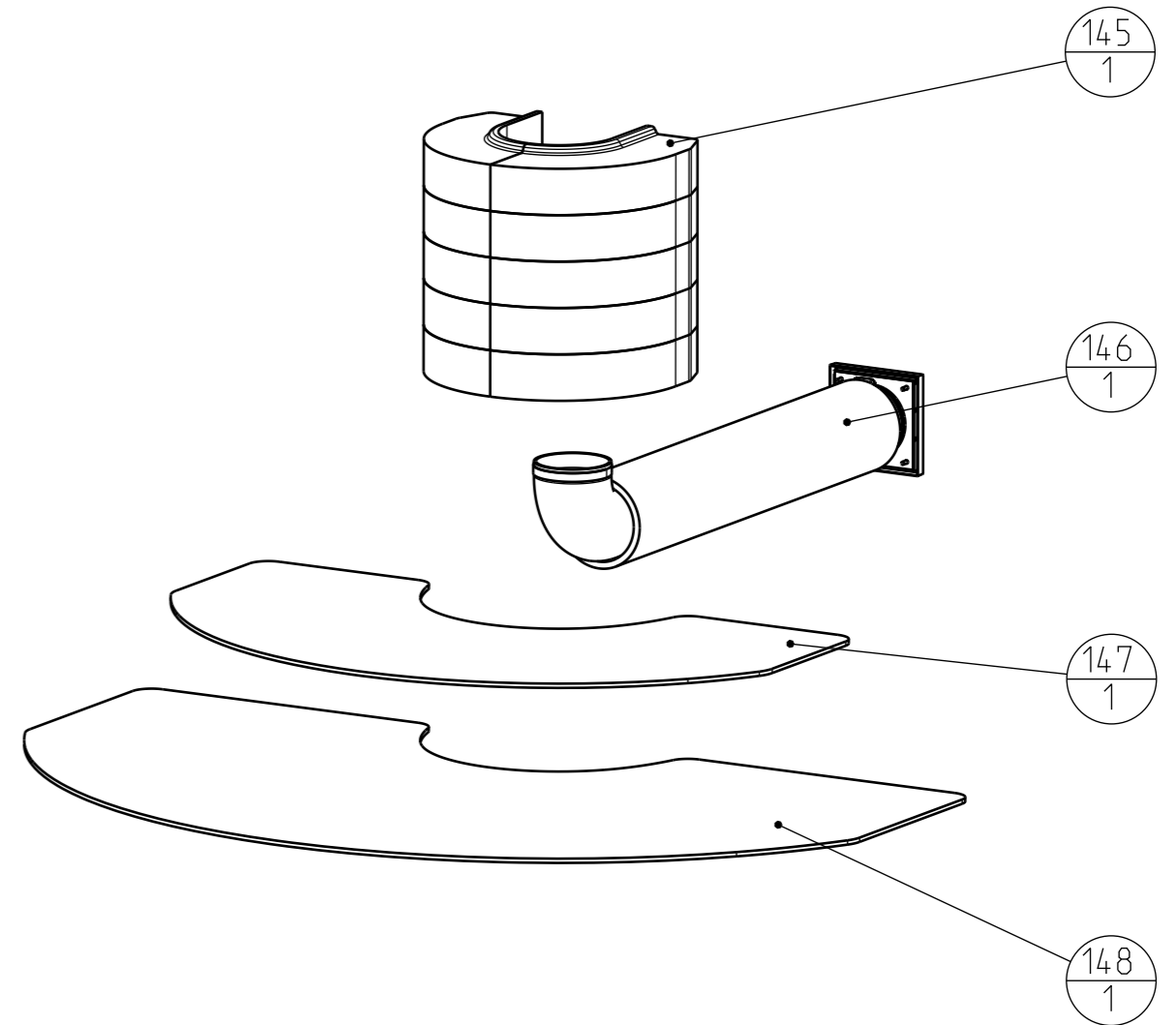
XX  
YY XX-Position number  
YY-Quantity

Partlist, Jøtul F 170		
Jøtul AS Fredrikstad, Norway	Draw.no: 900369-P02 Page. 4 of 5	Date: 21.05.2024

Electronics



Optional equipment



XX	XX-Position number
YY	YY-Quantity

Partlist, Jøtul F 170		
Jøtul AS Fredrikstad, Norway	Draw.no: 900369-P02 Page. 5 of 5	Date: 21.05.2024