

Fig. 1a

Jøtul F 520 / Jøtul F 520 High Top

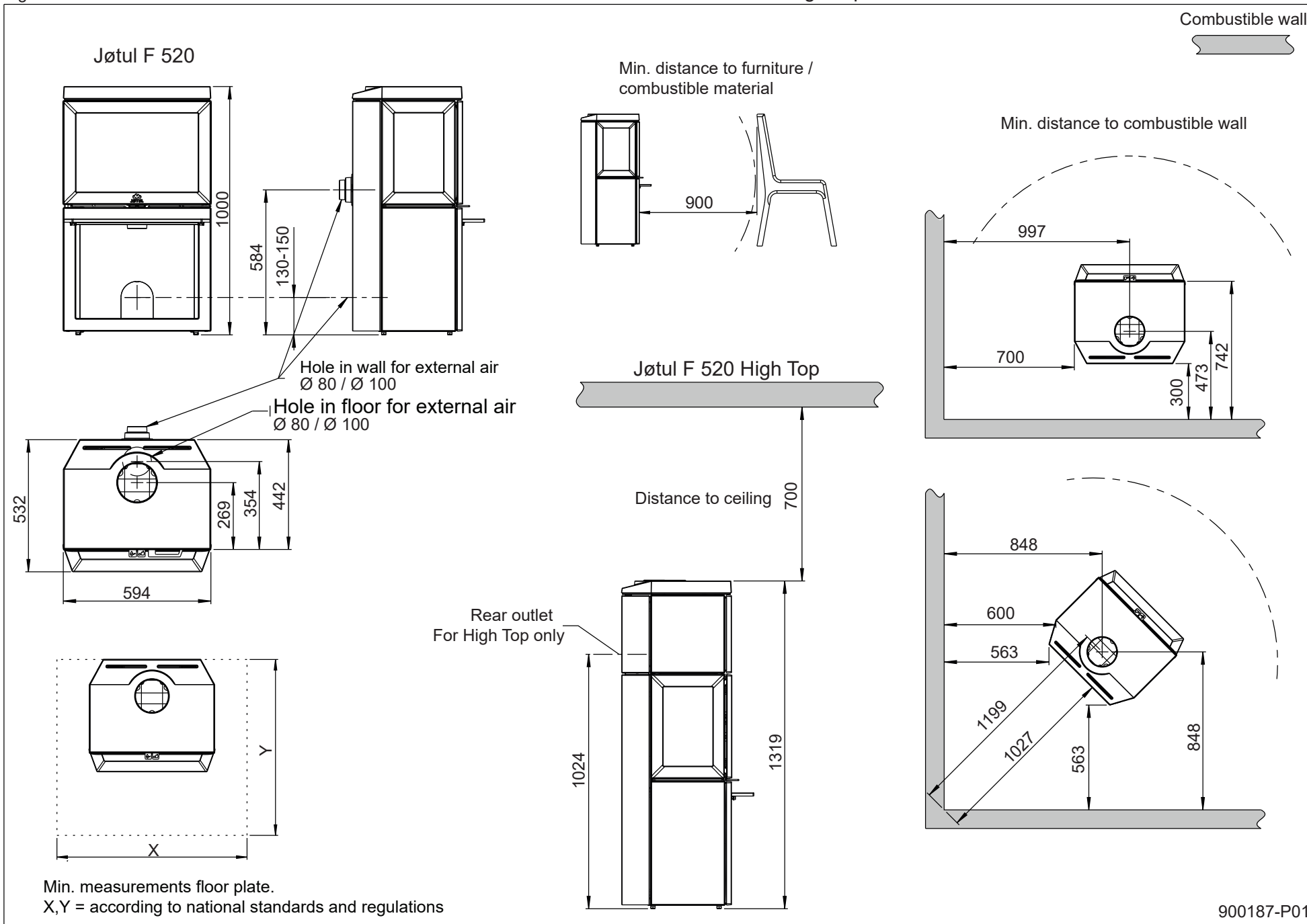


Fig. 1 b

Jøtul F 520 / Jøtul F 520 High Top

Min. distance to combustibile wall protected by firewall

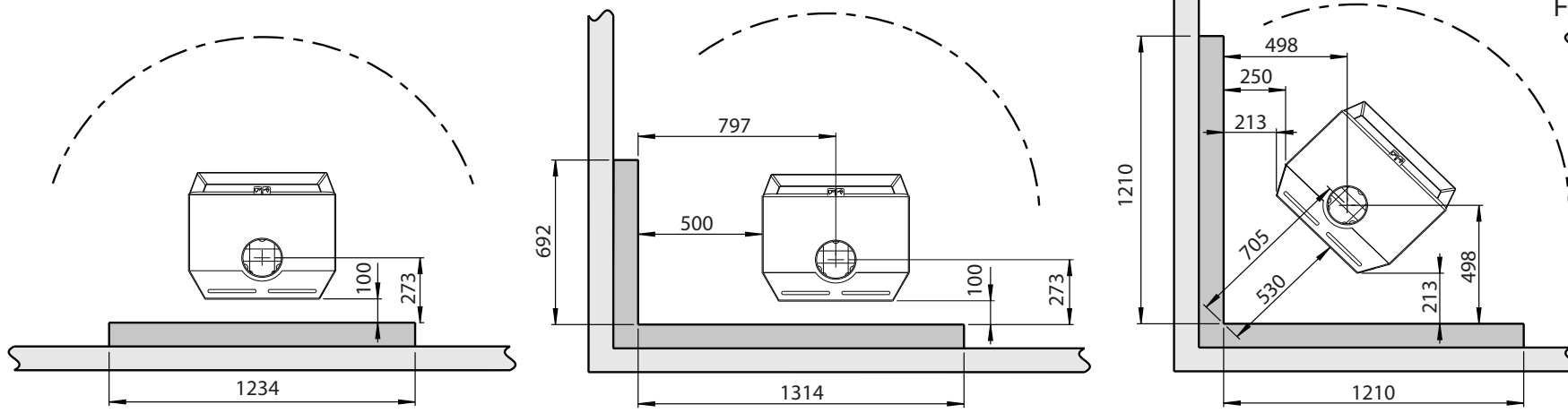
Combustible wall



Firewall



External



Integrated

