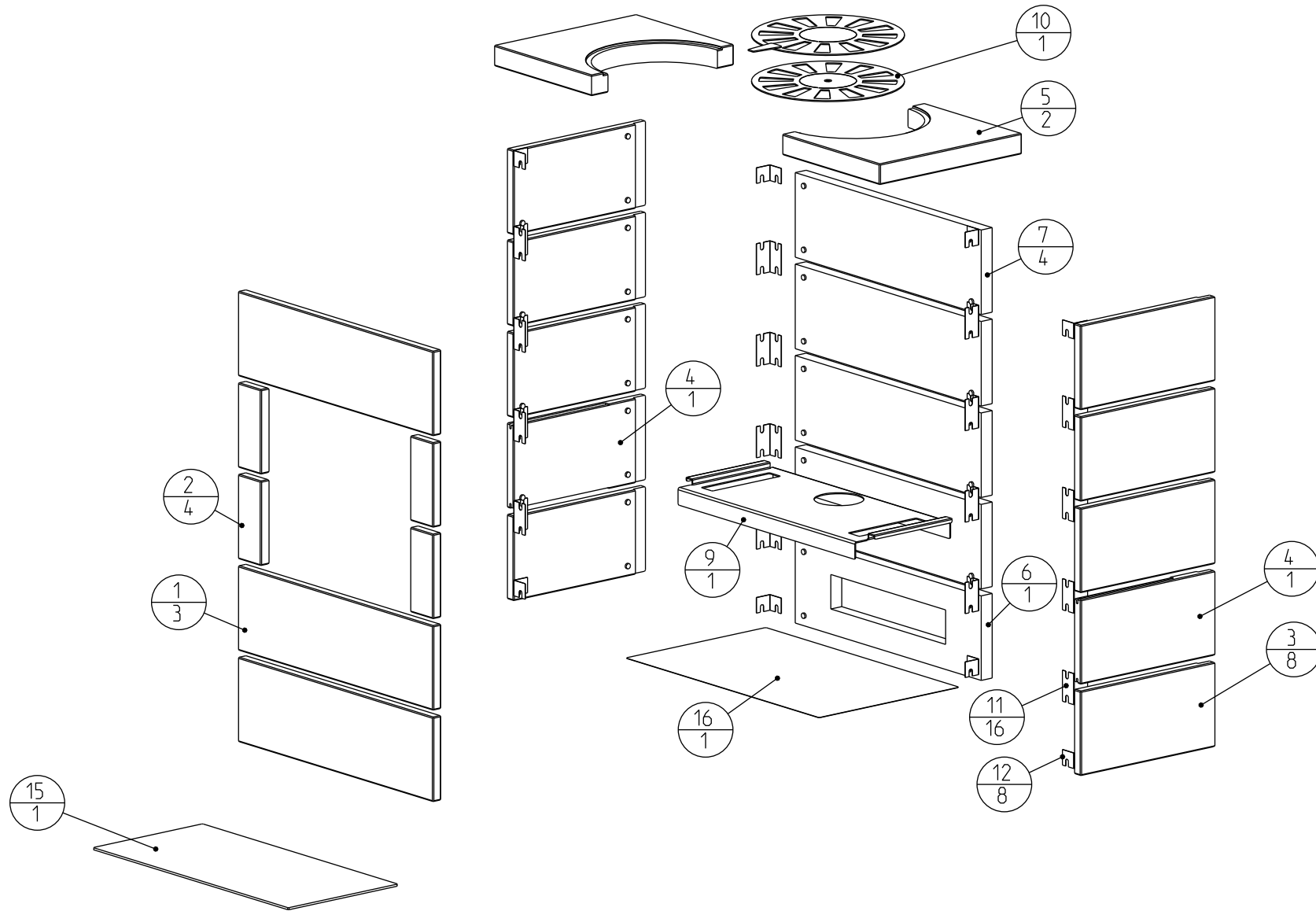


Jøtul FS 175 - I 520



Exploded view - Jøtul FS 175 - I 520		
Jøtul AS Fredrikstad, Norway	Draw. no: 900203-P02 Sheet 1/1	Date: 22.08.18

Jøtul FS 175 (kun omramning)

Jøtul FS 175 (to be assembled with Jøtul I 520 F BP)

<i>Pos. no.</i>	<i>Quantity</i>	<i>Spareparts</i>	<i>Consists of</i>	<i>Benevnelse</i>	<i>Description</i>	<i>Dim./Spec.</i>
		50052848		Keberstein sett	Soapstone Kit	
1	3	10050030		Front stein lang	Front Stone Long	Concrete
2	4	10050031		Front stein kort	Front Sten Short	Concrete
3	8	10050039		Side stein	Side Stone	Concrete
4	2	10050033		Side stein med slisse	Side Stone w/Bearing Slot	Concrete
5	2	10050032		Toppramme FS 74	Top Frame FS 74	Concrete
6	1	10050041		Kalsiumsilikatplate med hull	Calcium Silicate Plate With Hole	Calcium Silicate
7	4	10050040		Kalsiumsilikatplate	Calcium Silicate Plate	Calcium Silicate
11	16	10050044		Festebrakket hel	Fastning Bracket Double	Aluzinc_DX51D_AZ
12	8	10050034		Festebrakket halv	Fastning Bracket Singel	Aluzinc_DX51D_AZ
17	1			Pakning mellom pos. 5 og 7 ved eventuell sprekk	Gasket for sealing possible gap between pos. 5 and 7	Glass fibre, 1620mm
				Manual og godkjenningsskilt	Manual and Approval label	
		50052847		Tynnplate sett	Sheet Metal Kit	Steel
16	1	10049997		Bunnplate for brennbar gulv	Bottom Plate For Combustible Floor	Aluzinc_DX51D_AZ
9	1	10050043		Bæreplate	Insert Carrying Plate	Steel
10	1	10050042		Sektor ventil sett	Sector Grate Set	Steel
				Tilleggsutstyr / Options Jøtul FS 175		
15	1	50049757		Gulvplate glass NO/SE/FL	Flor Plate Glass NO/SE/FL	Glass_Tempered
						<i>Draw. No. 900203-P02</i>