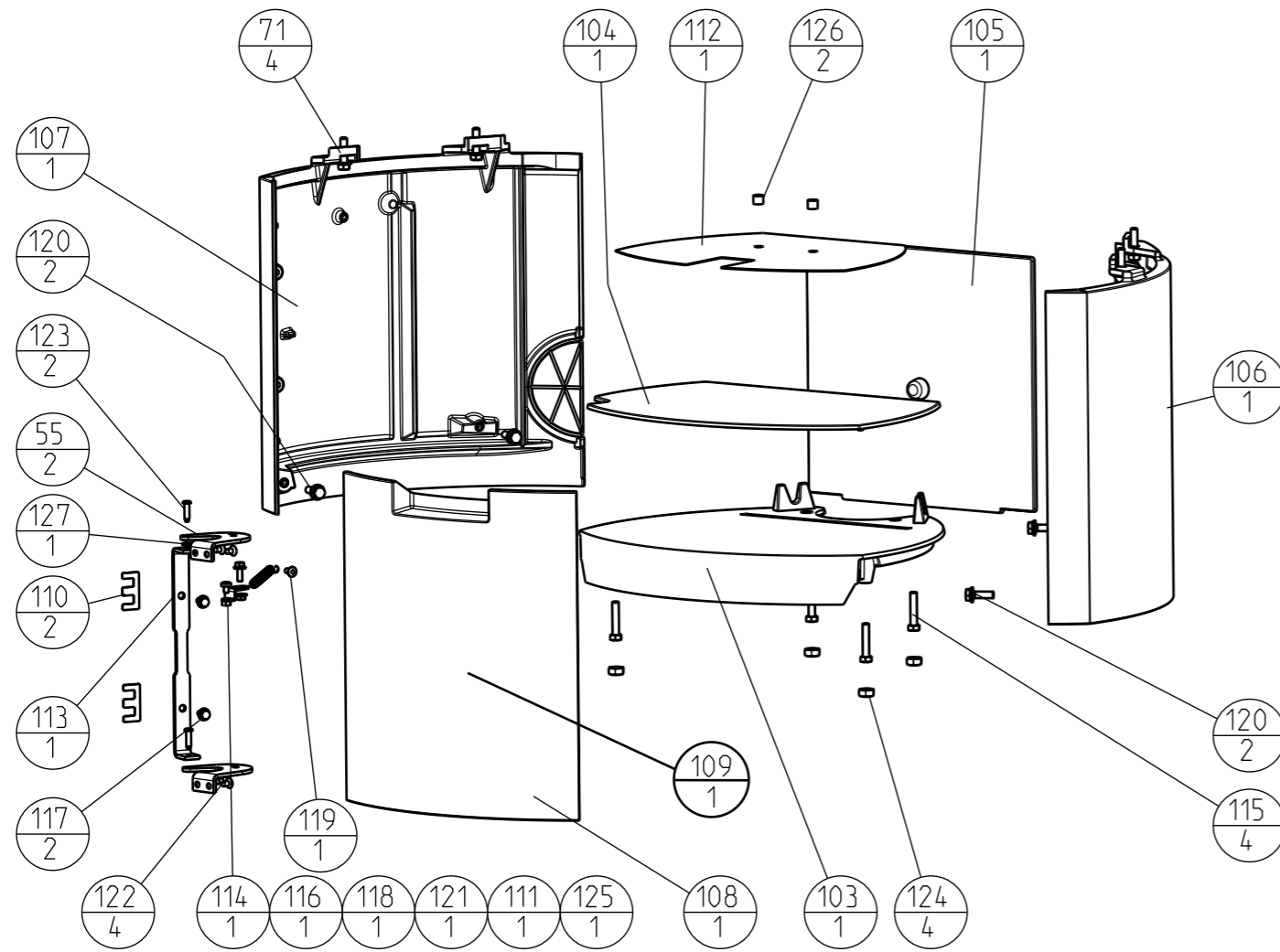
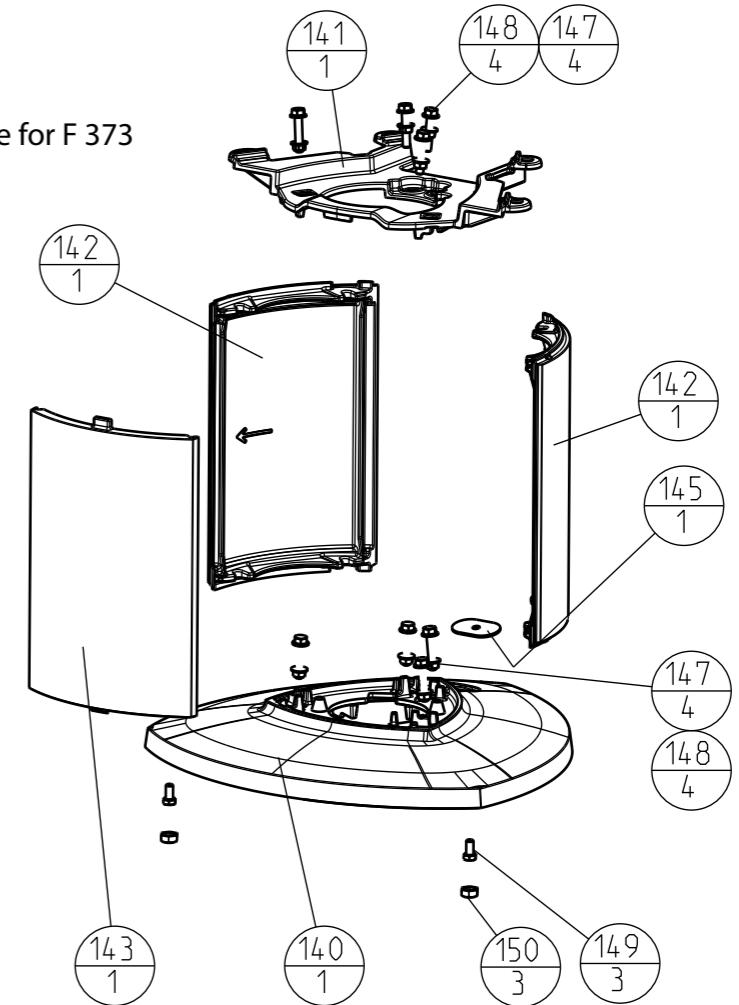


XX - Position number  
 YY - Quantity

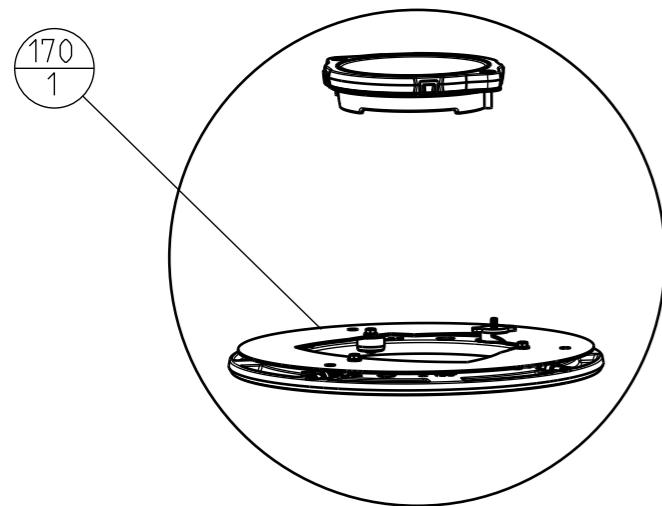
Base/Sokkel for F 371/F 377/F 378



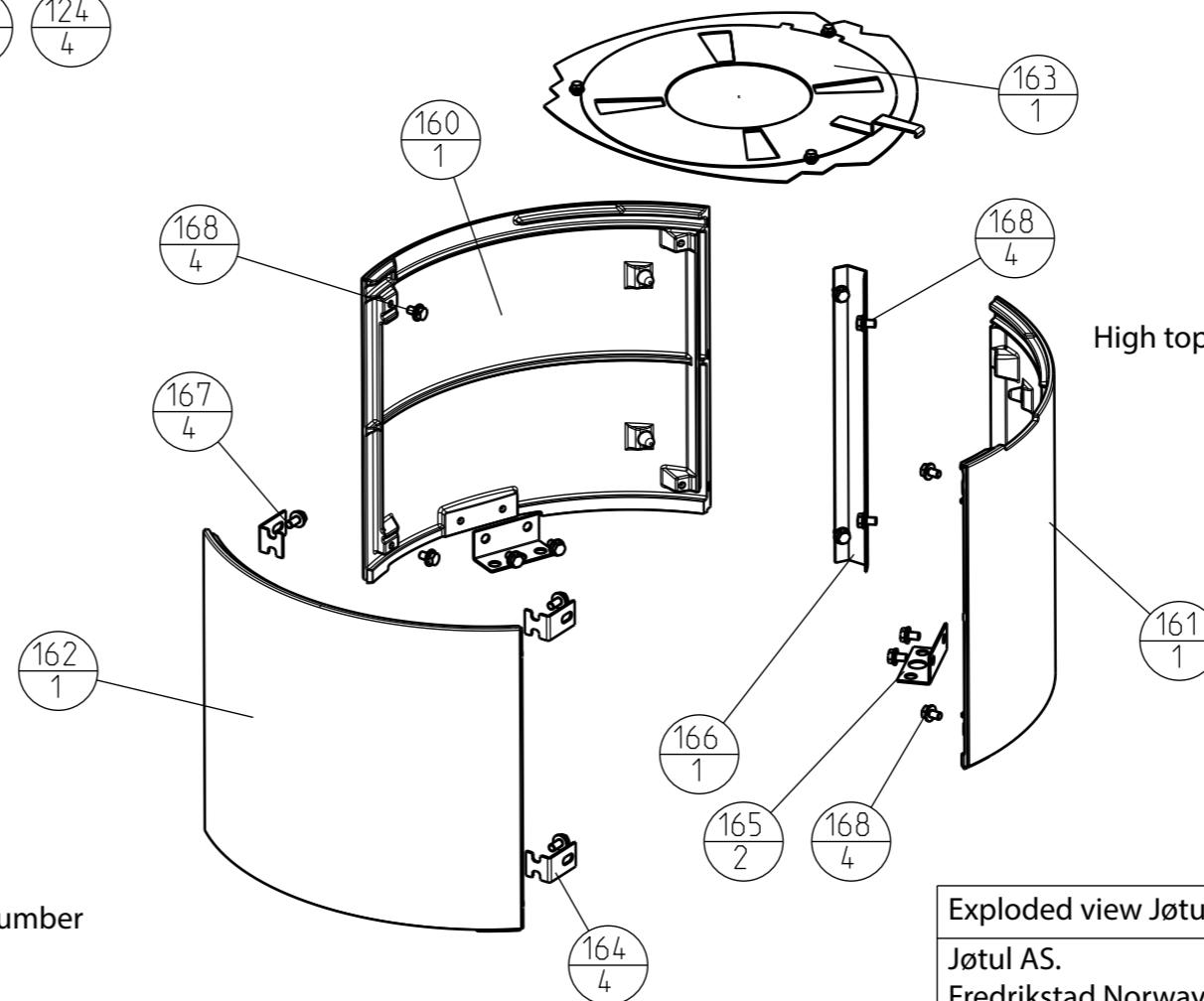
Pedestal/søyle for F 373



Rotation kit/Dreiesett for F 373



High top for F 371/ F 377/ F 378



XX - Position number  
YY - Quantity

Exploded view Jøtul F 360v2/F 370v2 Advance

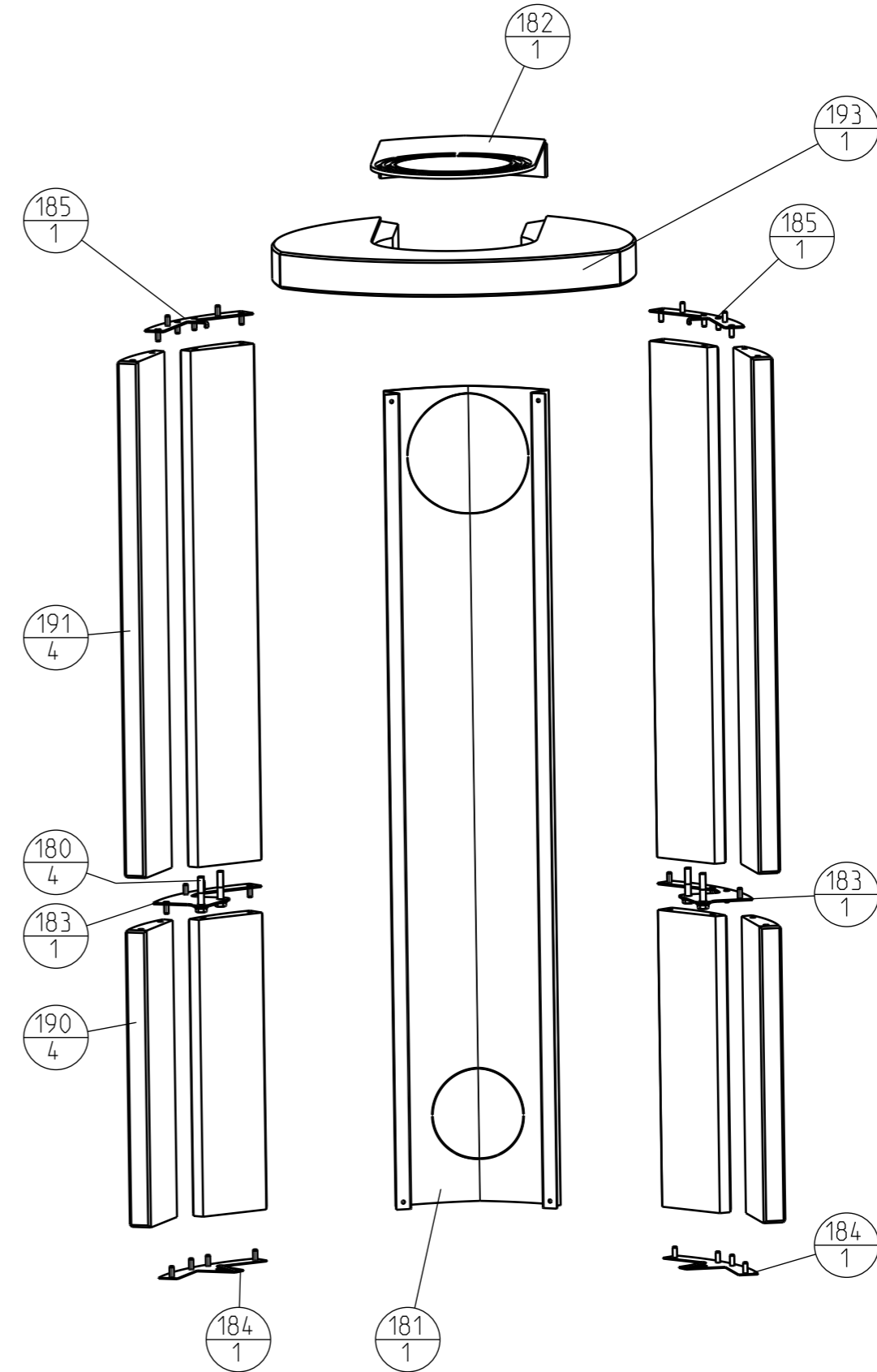
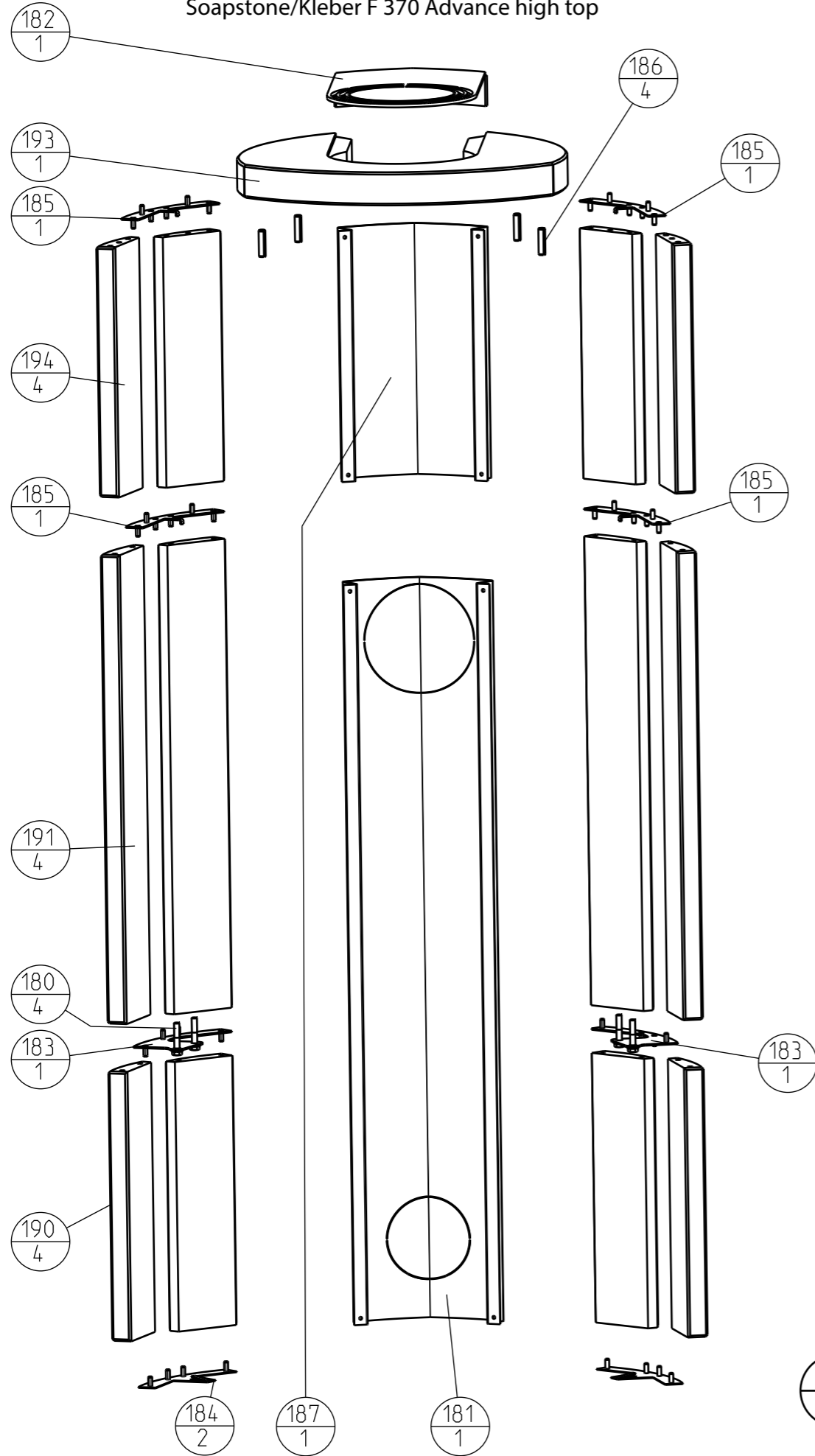
Jøtul AS.  
Fredrikstad Norway

Draw no:900357-P03  
Page 2 of 4

Date: 22.02.23

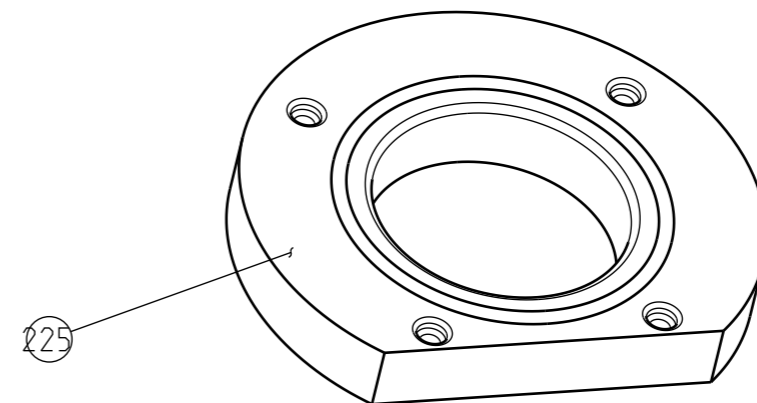
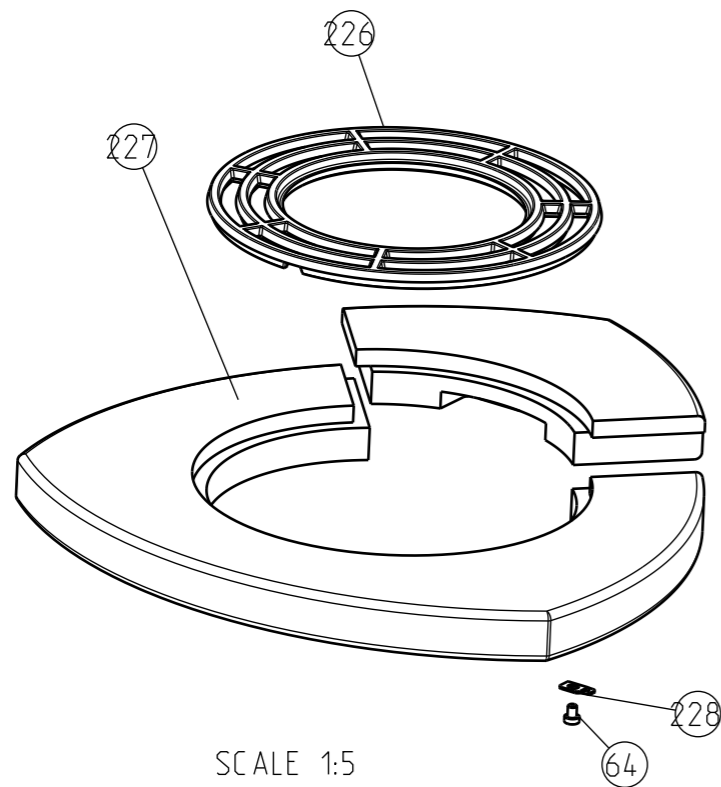
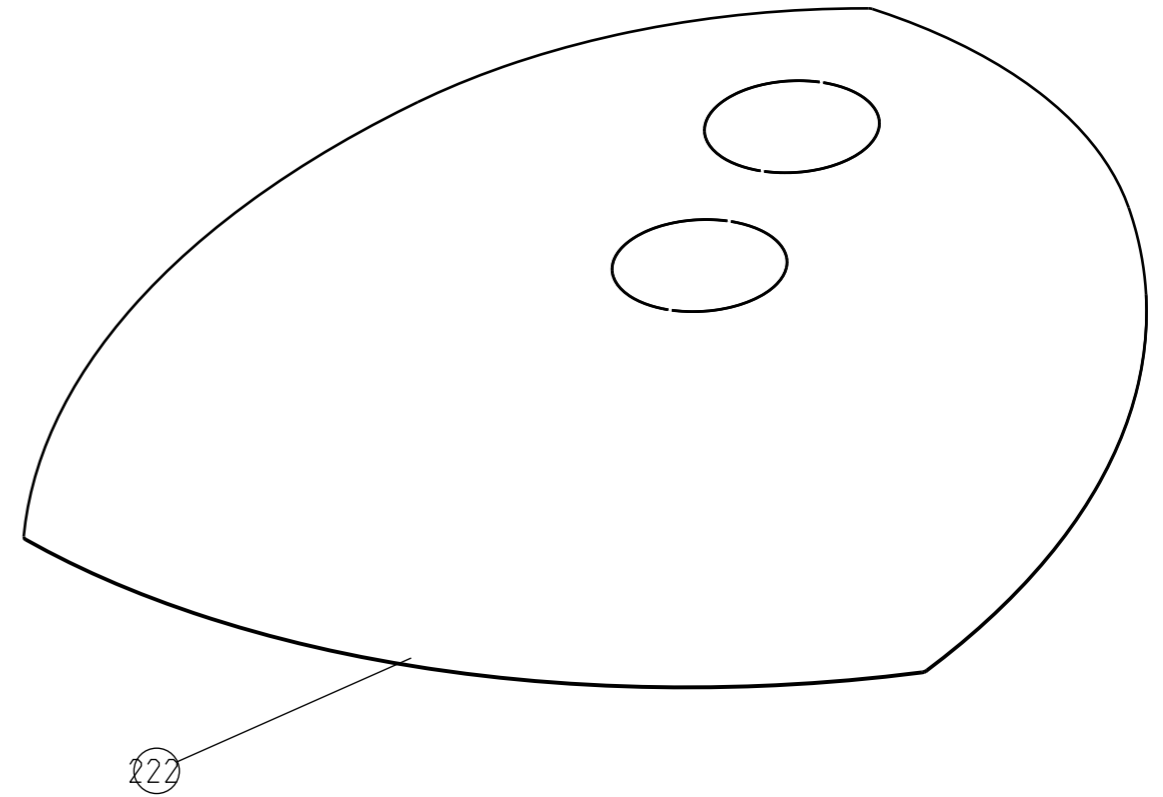
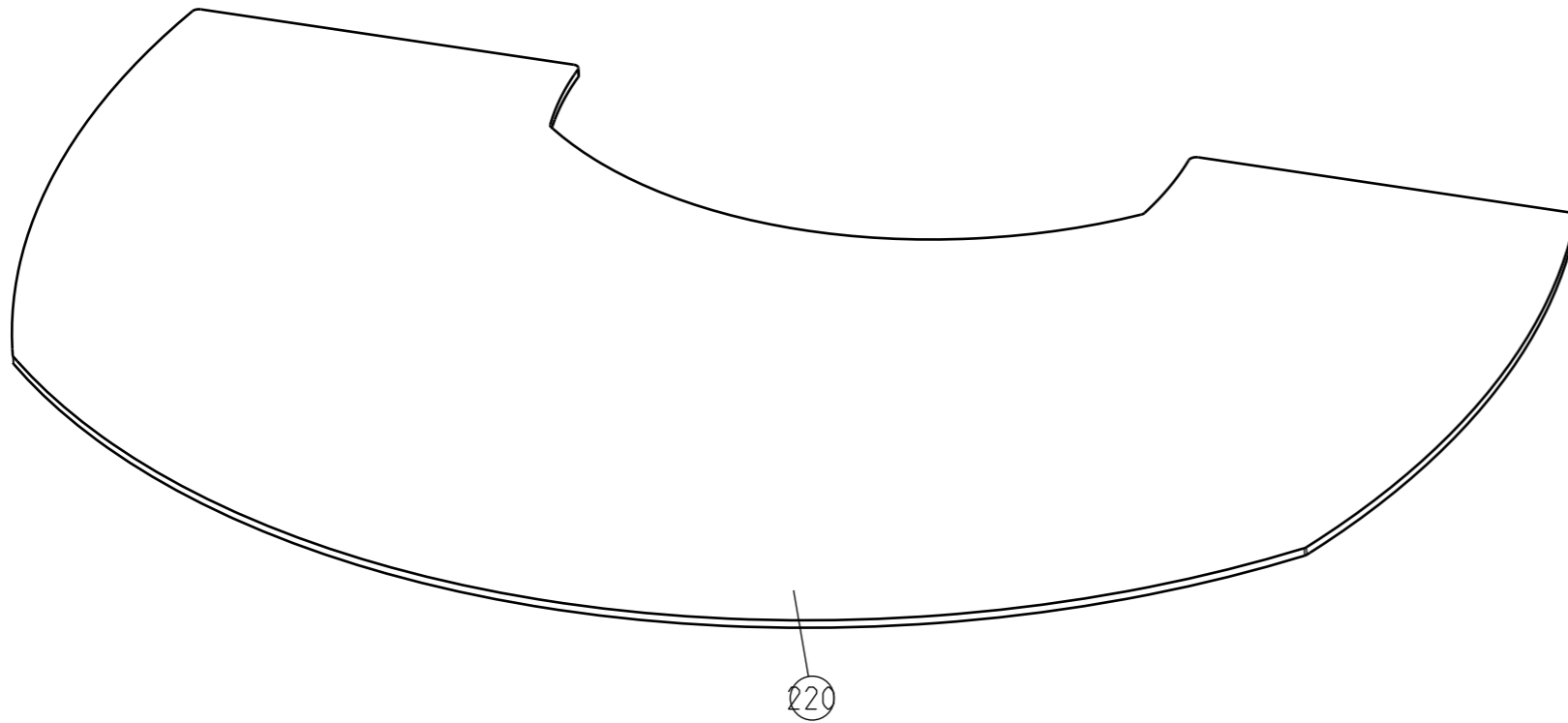
Soapstone/Kleber F 370 Advance high top

Soapstone/Kleber F 370 Advance



XX XX - Position number  
YY YY - Quantity

# Optinal equipment/Tilleggsutstyr



SCALE 1:5

Exploded view Jøtul F 360v2/F 370v2 Advance		
Jøtul AS. Fredrikstad Norway	Draw no:900357-P03 Page 4 of 4	Date: 22.02.23

## Jøtul F 370v2 / F 360v2 Advance

F 370v2 Advance Burnchamber BP cat no 30061058,

F 373v2 Advance WHE cat no 30061059

F 373 Advance LNE cat no 30064630 (F 373 LNE is v2)

F 360v2 Advance BP cat no 30061060

BP= Black Paint WHE= White Enamel LNE=Linen Enamel

Antall	Pos. no.	Spareparts	Consist of pos.no:	Benevnelse	Description	Dim./Spec.
1	1	12061810	1,36,43,44,38,55,56,58,59,63,64,49,22,74,90,93	Dør komplett u/glass BP	Door compl without Glas BP	Cast Iron min 5mm thickness
	1	12063237	1,36,43,44,38,55,56,58,59,63,64,49,22,74,90,93	Dør komplett u/glass WHE	Door compl without Glas WHE	Cast Iron min 5mm thickness
1	1	12064879	1,36,43,44,38,55,56,58,59,63,64,49,22,74,90,93	Dør komplett u/glass LNE	Door compl without Glass LNE	Cast Iron min 5mm thickness
1	2	12051382		Front BP	Front BP	Cast Iron min 5mm thickness
1	3	12051383		Sidestykke venstre BP	Sideplate Left BP	Cast Iron min 5mm thickness
1	3	12052473		Sidestykke venstre WHE	Sideplate Left WHE	Cast Iron min 5mm thickness
1	3	12064656		Sidestykke venstre LNE	Sideplate Left LNE	Cast Iron min 5mm thickness
1	4	12051384		Sidestykke Høyre BP	Sideplate Right BP	Cast Iron min 5mm thickness
1	4	12052475		Sidestykke Høyre WHE	Sideplate Right WHE	Cast Iron min 5mm thickness
1	4	12064658		Sidestykke Høyre LNE	Sideplate Right LNE	Cast Iron min 5mm thickness
1	5	12050835		Bakplate	Back plate	Cast Iron min 5mm thickness
1	6	12050836		Kanal bak	Air Manifold back	Cast Iron min 5mm thickness
1	7	12051488		Uteluftdeksel	Cover outside air	Cast Iron min 5mm thickness
1	8	12061143		Bunnplate komplett	Bottom plate	Cast Iron min 5mm thickness
1	9	12053047		Fyrbunn BP	Botom plate Inner BP	Cast Iron min 5mm thickness
1	10	12050672		Fyrbunnrist	Grate	Cast Iron min 5mm thickness
1	11	12031212		Askeskuff front BP	Ash Pan Front BP	Cast Iron min 5mm thickness
1	12	21055943	Pos 12,31,83,86,87,	Brennplate bakre MWE	Burnplate Rear MWE	Cast Iron min 5mm thickness
1	13	12050837		Ledeplate	Exhaust Defelctor	Cast Iron min 5mm thickness
1	14	12051386		Ledeplate øvre	Exhaust Defelctor second	Cast Iron min 5mm thickness
1	15	12050838		Kanal topp	Air Manifold top	Cast Iron min 5mm thickness
1	16	12051387		Travers	Traverse	Cast Iron min 5mm thickness
1	17	12050839		Røykhullsdeksel	Smoke outlet cover	Cast Iron min 5mm thickness
1	18	12050812		Topplate	Top Plate	Cast Iron min 5mm thickness
1	19	12051469		Øvre topplate BP	Upper Top Plate BP	Cast Iron min 5mm thickness
1	19	12052477		Øvre topplate WHE	Upper Top Plate WHE	Cast Iron min 5mm thickness
1	19	12064660		Øvre topplate LNE	Upper Top Plate LNE	Cast Iron min 5mm thickness
1	20	12050827		Håndtak (dummy) BP	Handle (dummy) BP	Cast Iron min 5mm thickness
1	20	12053061		Håndtak (dummy) WHE	Handle (dummy) WHE	Cast Iron min 5mm thickness
1	20	12064636		Håndtak (dummy) LNE	Handle (dummy) LNE	Cast Iron min 5mm thickness
1	21	12050821		Håndtak BP	Handle BP	Cast Iron min 5mm thickness
1	21	12053062		Håndtak WHE	Handle WHE	Cast Iron min 5mm thickness

1	21	12064638		Håndtak LNE	Handle LNE	Cast Iron min 5mm thickness
1	22	10023464		Skive Ø6,4XØ12,5X1,6	Washer Ø6,4XØ12,5X1,6	Steel 8,8 ELZ
1	23	12051468		Øvre topp deksel BP	Upper Top cover BP	Cast Iron min 5mm thickness
1	23	12052481		Øvre topp deksel WHE	Upper Top cover WHE	Cast Iron min 5mm thickness
1	23	12064662		Øvre topp deksel LNE	Upper Top cover LNE	Cast Iron min 5mm thickness
2	24	10023547		6kt skr m/fl M6X35 DIN6921 8.8	Hex FI Bolt DIN6921-M6x35-8.8	Steel
1	25	12021689		Røktuss Ø150 dripless UP	Smoke outl Ø150 dripless UP	Cast Iron min 5mm thickness
1	26	12051498	Pos 26, 50	Hendel front BP	Valve handle front BP	Cast Iron min 5mm thickness
1	26	12053473	Pos 26, 50	Hendel front WHE	Valve handle front WHE	Cast Iron min 5mm thickness
1	26	12064881	Pos 26, 50	Hendel front LNE	Valve handle front LNE	Cast Iron min 5mm thickness
1	27	12051388		Mellomstykke ventil hendel	Middle section valve handle	Cast Iron min 5mm thickness
1	28	10050650		Pakning uteluft	Gasket Outside Air	Glass Paper
1	29	10050648		Isolasjonsmatte bak	Insulation Blanket Rear	Superwool
1	30	10050651		Isolasjonsmatte bunnplate	Insulation Blanket Bottomplate	Superwool
1	31	10050640		Pakning brennplate	Gasket Burnplate	Superwool
2	32	10050637		Pakning topplate	Gasket Top plate	Superwool
1	33	10050379		Pakning Bunnplate	Gasket Bottom plate	Superwool
1	34		50027205 (5m)	Pakning røykhullsdeksel	Gasket Smoke Outlet Cover	LD-250-2 graph Ø6,4x600mm
1	35		50027205 (5m)	Pakning Røykstuss	Gasket Smoke Outlet	LD-250-2 graph Ø6,4x600mm
1	36		50027205 (5m)	Pakning Dør glass	Gasket Door glas	LD-250-2 graph Ø6,4x2100mm
2	37		50027205 (5m)	Pakning Side glass	Gasket Side Glas	LD-250-2 graph Ø6,4x1500mm
1	38		50061108 (5m)	Pakning Mellom Dør og Front	Gasket Between Door and Front	ROPE LD-360 GRAPHITE
1	39	12051263		Hengsel brakett over	Hinge door upper	Cast Iron min 5mm thickness
1	40	10050513		Sideglass venstre	Side glass Left	IR coated Ceramic glass with Paint area
1	41	10050629		Sideglass høyre	Side Glass Right	IR coated Ceramic glass with Paint area
1	42	10050051		Glass dør	Glass Door	Ceramic glass
4	43	10023708		SKR LINSEH INNV6K M6X12 10.9	SCREW BUTTON HEAD INTHEX M6X12	Steel
4	44	10059751		Skive forsenket Ø6,5X26X3	Washer recessed Ø6,5X26X3	
1	45	10059780	Pos 86,87,45	Hvelv	Baffle	Vermiculite
2	46	10051080		Skrue syl. Lavt hode	Screw cyl low head	M6x12
1	47	12051504		Hengsel nedre	Hinge door bottom	Cast Iron min 5mm thickness
1	48	12051508		Hengsel dørlås under	Hinge doorlock bottom	Cast Iron min 5mm thickness
1	49	10026076		Demper Dørhåndtak	Dampens Door Handle	Silicone 2mm
1	50	10050647		Plate for ventil hendel	Plate for Valve handle	Stainless
1	51	10050867		Festeplate	Attachment Bracket	Stainless
1	52	10050636		Askeskuff	Ashpan	Aludip
1	53	10050316		Ventilplate	Valve plate	Steel
1	54	10038553		Hvelvlås	Baffle lock	Steel
2	55	10025980		Hengsel dør	Hinge door	Steel
6	56	10026601		Glassklips I 570 25X18	Glass Clip I 570 25X18	Steel

6	57	12021534		Glass klips m pakning på motsatt side	Glass clip w. gasket reverse side	Steel
1	59	10024253		Brikke for spjeld	Bracket For Damper	Steel
2	60	10023540		6kt skr m/fl M6x20 DIN6921 8.8	Hex FI Bolt DIN6921-M6x20-8.8	Steel
4	61	10023559		Skive Ø8,4XØ20X1,5	Washer Ø8,4XØ20X1,5	Steel 8.8 ELZN
4	62	10023559		6kt skr m/fl M6x10 DIN6921 8.8	Hex FI Bolt DIN6921-M6x10-8.8	Steel
18	64	10023561		Skrue sylh inn6k DIN7984 M6x8-8.8	Hex Socket Head Cap Screw DIN7984 M6x8-8.8	Steel
1	65	10023578		Skive M10 Ø10,5xØ25x1.5 Sortkr. Spesial	Washer M10 Ø10.5xØ25x1.5 Blackcr. Special	Steel
4	66	10023595		Skrue senkh innv6k DIN7991 M8x16-10.9	Flat Head Countersunk Socket DIN7991 M8x16-10.9	Steel
1	67	10023654		6kt skr M8x70 DIN933 8.8 Elzn	Hex Cap Screw DIN933-M8x70-8.8 Zinc Plated	Steel
4	68	10023661		6kt skr m/fl - DIN6921-M8x16-8.8	Hex FL Bolt DIN6921 M8x16-8.8	Steel
23	69	10023662		6kt skr m/fl M8x20 DIN6921 8.8	Hex FI Bolt DIN6921-M8x20-8.8	Steel
1	70	10026010		Skrue sylh lav delg M6X16X7	Screw inthex M6X16 part thread 7MM	Steel
10	71	10023664		6kt skr m/fl M8x30 DIN6921 8.8	Hex FI Bolt DIN6921-M8x30-8.8	Steel
8	72	10023666		6kt Mutter m/fl M6 DIN6923 8	Hex Flange Nut M8 DIN6923 8	Steel
6	73	10023667		6kt Mutter m/fl M8 DIN6923 8	Hex Flange Nut M8 DIN6923 8	Steel
4	74	10023707		Skrue senkh innv6k DIN7991 M6x10-10.9	Flat Head Countersunk Socket DIN7991 M6x10-10.9	Steel
2	75	10023725		Skr innv6k M6x25 delgj 6mm	Scr inth M6X25 part thread 6mm	Stainless
1	76	10023579		Skive Ø6xØ12x0,5	Washer Ø6xØ12x0,5	Steel
2	77	10023998		Hylse Ø10XØ6,2X15	Sleeve Ø10XØ6,2X15	Steel
1	78	10024104		Nagle Ø6x24 Sortkromatisert	Rivet	Steel
4	79	10023639		Skrue sett M6x20	Screw socketset M6x20	Steel
4	80	10023672		Skive Ø10,1XØ19,4X0,9 sortkromatisert	Washer Ø10,1XØ19,4X0,9	Steel
1	81	10026565		Fjær for ventiler F 470	Spring for valve F 470	Stainless
1	82	10055900		Skrue senkhode innv6k M6X35 A4 UBEH	Flat Head Countersunk Socket ISO 10642 M6x35 A4 UBEH	Stainless
1	83	10024339		Skive messing Ø12,0XØ6,2X1,8	Washer brass Ø12,0XØ6,2X1,8	Brass
5	84	10023780		Skive Ø6,4xØ18x1.6 Elzn DIN 9021	Washer Ø6.4xØ18x1.6 Elzn DIN 9021	Steel
1	85	51061547		Hylse Ø12/8,2X10	Sleeve Ø12/8,2X10	Steel
1	86	10059780	Pos 86,87,45	Isolasjon venstre brennplate bak	Insulation Left burnplate back	Vermiculite
1	87	10059780	Pos 86,87,45	Isolasjon Høyre brennplate bak	Insulation Right burnplate back	Vermiculite
2	88	10023475		Mutter 6k M6	Nut hex M6	Steel
	89	10023469		Skrue 6k M8x20 DIN933	Screw hex M8x20 DIN933	Steel 8.8 Elzn
	90	10023515		Mutter 6k M6 Lav	NUT hex M6 low	Steel 8.8 Elzn
2	93	10058479		Magnet for dør Ø25xØ6,4x9MM	Magnet for door Ø25xØ6,4x9MM	Sm2Co17
	94		50027205 (5m)	Pakning under Askeskuff	Rope gasket under ash pan	LD-250-2 graph Ø6,4x330mm
1	95	10063274		Låsemekanisme dør komplett	Locking mechanism door complete	Steel
		<b>Spring, Self Closing Door cat no. 51061547</b>				
1	97	51061547	69,72,85	Fjær Selvlukkende dørmekanisme	Spring self closing door mechasim	For all markets

		<b>F 360 Advance</b>				
2	98	10053663		Isolasjonsmatte side	Insulation Blanket Side	Superwool
1	99	12053877		Sidestykke venstre	Side Plate Left	Cast Iron min 5mm thickness
1	100	12053879		Brennplate side høyre	Burn Plate Right	Cast Iron min 5mm thickness
1	101	12053878		Sidestykke høyre	Side Plate Right	Cast Iron min 5mm thickness
1	102	12053880		Brennplate side venstre	Burn Plate Left	Cast Iron min 5mm thickness
		<b>F 371 Advance Base cat no. 51050937</b>				
1	103	12019098		Sokkel bunn BP	Base Bottom BP	Cast Iron min 5mm thickness
1	104	12019102		Sokkel hylle BP	Base Shelf BP	Cast Iron min 5mm thickness
1	105	12019110		Sokkel Bakplate BP	Base Rear Plate BP	Cast Iron min 5mm thickness
1	106	12051389		Sokkel side høyre BP	Base Right side BP	Cast Iron min 5mm thickness
1	107	12051391		Sokkel side venstre BP	Base Left side BP	Cast Iron min 5mm thickness
1	108	12050945		Sokkel dør BP	Base Door BP	Cast Iron min 5mm thickness
		109	<b>51050944</b>	Støpejernsdør sokkel kompl BP	Castiron Base door complete BP	Cast Iron min 5mm thickness
2	110	10025801		Shims	Shim	Steel
1	111	10025624		Fjær E0360-034-3500M	Spring E0360-034-3500M	Steel
1	112	10050684		Skjermplate sokkel	Heat Shield for Base	Aluzinc DX510 AZ
1	113	12050868		Hengselbrakett	Hinge Bracket	Steel
1	114	10023475		Mutter sekskant M6 DIN 934	Nut Hexagonal M6 DIN 934	Stainless
4	115	10023483		6kt skr M8x40 DIN6921 8.8	Hex Bolt DIN6921-M8x40-8.8	Steel
1	116	10023541		6kt skr m/fl M6x16 DIN6921 8.8	Hex Fl Bolt DIN6921-M6x16-8.8	Steel
2	117	10023545		6kt skr m/fl M6x12 DIN6921 8.8	Hex Fl Bolt DIN6921-M6x12-8.8	Steel
1	118	10023561		Skrue sylh inn6k DIN7984 M6x8-8.8	Hex Socket Head Cap Screw DIN7984 M6x8-8.8	Steel
1	119	10023707		Skrue senkhode innv 6k M6X10 FOSFAT	Screw int hex M6X10 DIN7991	Steel
4	120	10023662		6kt skr m/fl M8x20 DIN6921 8.8	Hex Fl Bolt DIN6921-M8x20-8.8	Steel
1	121	10023666		6kt Mutter m/fl M6 DIN6923 8	Hex Flange Nut M8 DIN6923 8	Steel
4	122	10023707		Skrue senkh innv6k DIN7991 M6x10-10.9	Flat Head Countersunk Socket DIN7991 M6x10-10.9	Steel
2	123	10024104		Nagle Ø6x24, sortkrom	Rivet Ø6x24, black cromate	Steel
4	124	10026268		Beskyttelseshette M8 6K sort	Protection Cap M8 Hex Black	Polypropylene
1	125	10026649		Brakett for fjær-selvlukkende dør	Bracket For Spring Self Closing Door	Steel
2	126	10024197		Hylse Ø12/8,2X10	Sleeve Ø12/8,2X10	Steel
1	127	10024339		Skive Ø6.2xØ12x1.8 Messing	Washer Ø6.2xØ12x1.8 Brass	Brass
		<b>F 373 Advance Pedestal BP cat no. 51050940</b>				
1	140	12051392		Søylebunn BP	Pedestal Bottom Plate BP	Cast Iron min 5mm thickness
1	140	12052111		Søylebunn WHE	Pedestal Bottom Plate WHE	Cast Iron min 5mm thickness
1	140	12064646		Søylebunn LNE	Pedestal Bottom Plate LNE	Cast Iron min 5mm thickness



1	141	12050925		Søyletopp	Pedestal Top Plate	Cast Iron min 5mm thickness
2	142	12051393		Søyleside BP	Pedestal Side Plate BP	Cast Iron min 5mm thickness
2	142	12052112		Søyleside WHE	Pedestal Side Plate WHE	Cast Iron min 5mm thickness
2	142	12064644		Søyleside LNE	Pedestal Side Plate LNE	Cast Iron min 5mm thickness
1	143	12051394		Søyle front BP	Pedestal Front Plate BP	Cast Iron min 5mm thickness
1	143	12052113		Søyle front WHE	Pedestal Front Plate WHE	Cast Iron min 5mm thickness
1	143	12064648		Søyle front LNE	Pedestal Front Plate LNE	Cast Iron min 5mm thickness
1	145	10050736		Deksel søyle BP	Cover Pedestal PB	Steel
1	145	10050622		Deksel søyle WP	Cover Pedestal WP	Steel
1	145	10065746		Deksel søyle LNE	Cover Pedestal LNE	Steel
8	147	10023667		6kt Mutter m/fl M8 DIN6923 8	Hex Flange Nut M8 DIN6923 8	Steel
8	148	10023665		6kt skr m/fl M8x40 DIN6921 8.8	Hex FI Bolt DIN6921-M8x40-8.8	Steel
3	149	10023465		6kt skr M8x16 DIN933 8.8 Elzn	Hex Cap Screw DIN933-M8x16-8.8 Zinc	Steel
3	150	10026268		Beskyttelseshette M8 6K sort	Protection Cap M8 Hex Black	Polypropylene
				<b>F 370 Advance High Top BP cat no. 51050934</b>		
1	160	12019648		High Top Venstre side BP	High Top Left Side BP	Cast Iron min 5mm thickness
1	161	12019650		High Top Høyre side BP	High Top Right Side BP	Cast Iron min 5mm thickness
1	162	12019652		High Top Front BP	High Top Front Side BP	Cast Iron min 5mm thickness
1	163	10050688		Sektorventil komplett	Sector Plate Set	Steel
4	164	10013073		Festebrakett front	Steel Brakett front	Steel
2	165	10038200		Festebrakett Side	Steel Brakett Side	Steel
1	166	10013072		Festebrakett Bak	Steel Brakett Back	Steel
4	167	10023661		6kt skr m/fl - DIN6921-M8x16-8.8	Hex FL Bolt DIN6921 M8x16-8.8	Steel
12	168	10023660		6kt skr m/fl - DIN6921-M8x12-8.8	Hex FL Bolt DIN6921 M8x12-8.8	Steel
				<b>F 370 Advance Revolving Pedestal cat no 51050989</b>		
1	170	51050989		Se manual med egen reservedelsliste og tegning	See seperate manual with spare part list and drawing	Oppdatert dreistuss inkl kulelager
				<b>F 377 Advance steel kit low cat no 50050924</b>		
4	180	10023665		Skrue sekskant med flens M8x40 DIN 6921	Screw Hex Cap Flange Frame m8x40	DIN 6921
1	181	10043553		Stålplate bakre kleber F 367 / F 377	Steelplate Rear Soapstone F 367 / F 377	Steel
1	182	10043555		Topprist kleber F 367 / F 377	Top Grid Soapstone F 367 / F 377	Steel
2	183	10043556		Stålbrakett 1 kleber F 377	Steel Bracket 1 Soapstone F 377	Steel
2	184	10043557		Stålbrakett kleber bunn F 377	Bracket Soapstone Bottom F 377	Steel
2//4	185	10050915		Stålbrakett 2 kleber F 377 Advance	Steel Bracket 2 Soapstone F 377 Advance	Steel
				<b>F 377 Advance steel kit High top cat no 50050923</b>		
4	186	10044892		Spennstift Ø10X40 DIN	Span Pin Ø10X40	DIN 1481
1	187	10043554		Stålplate bakre komplett HT F 367/ F 377	Plate Rear Complete HT F 367 / F 377	Steel

		<b>F 377 Advance Soap stone kit low cat no 50043452</b>				
4	190	10043549		Kleberside lav F 367/F 377	Soapstone Side Low F 367 / F 377	Soapstone
4	191	10043550		Kleberside midtre F 367/F 377	Soapstone Side Middle F 367 / F 377	Soapstone
1	193	10043552		Kleber Topp F 367/F 377	Soapstone Top F 367 / F 377	Soapstone
		<b>F 377 Advance Soap stone kit High top cat no 50043453</b>				
	194	10043551		Kleberside HT øvre F 367 / F 377	Soapstone Side HT Upper F 367 / F 377	Soapstone
		<b>Floor Plate glass Norway/Sweden cat no 50012994</b>				
	220	50012994		Gulvplate glass Norge/Sverige	Floor Plate glass Norway/Sweden	Tempered glass, 6mm thickness
		<b>Floor Plate Steel Norway/Sweden BP cat no 51013579</b>				
	222	51013579		Gulvplate stål Norge/Sverige BP	Floor Plate Steel Norway/Sweden BP	Steel 1mm thick
	225	10026783	6pcs	Varmelagrende Stein Ø309/Ø170/48mm	Heat accumulating stone Ø309/Ø170/48mm	Special
		<b>Soapstone Top Complete F 370 Adv cat no 22052834, 22052835, 22052836, 22064887</b>				
1	226	12018891		Lufterist topp F 270/370/470 BP	Air outlet top F 270/370/470 BP	Cast Iron min 5mm thickness
1	226	12045759		Lufterist topp F 270/370/470 WHE	Air outlet top F 270/370/470 WHE	Cast Iron min 5mm thickness
1	226	12064883		Lufterist topp F 270/370/470 LNE	Air outlet top F 270/370/470 LNE	Cast Iron min 5mm thickness
1	227	22052834	226,227,57,64	Klebertopp komplett F370Adv BP	Soapstone complete F370Adv BP	Soapstone
1	227	22052835	226,227,57,64	Klebertopp komplett F370Adv WHE	Soapstone complete F370Adv WHE	Soapstone
	227	22064887	226,227,57,64	Klebertopp komplett F 370 Adv LNE	Soapstone complete F 370 Adv LNE	Soapstone
1				<b>Adaptor ø149 outside</b>		
		50012839		Adapter Tysk Ø 149 utv BP	Adaptor Germany ø149 outs BP	Steel
	230			Sprayflaske BP	Spray Bottle BP	200ml (12 bottles of 200 ml)
	231			Korrekturlakk WHE	Touch up paint WHE	20ml (1 bottle)
	232			Korrekturlakk LNE	Touch up paint LNE	20ml (1 bottle)