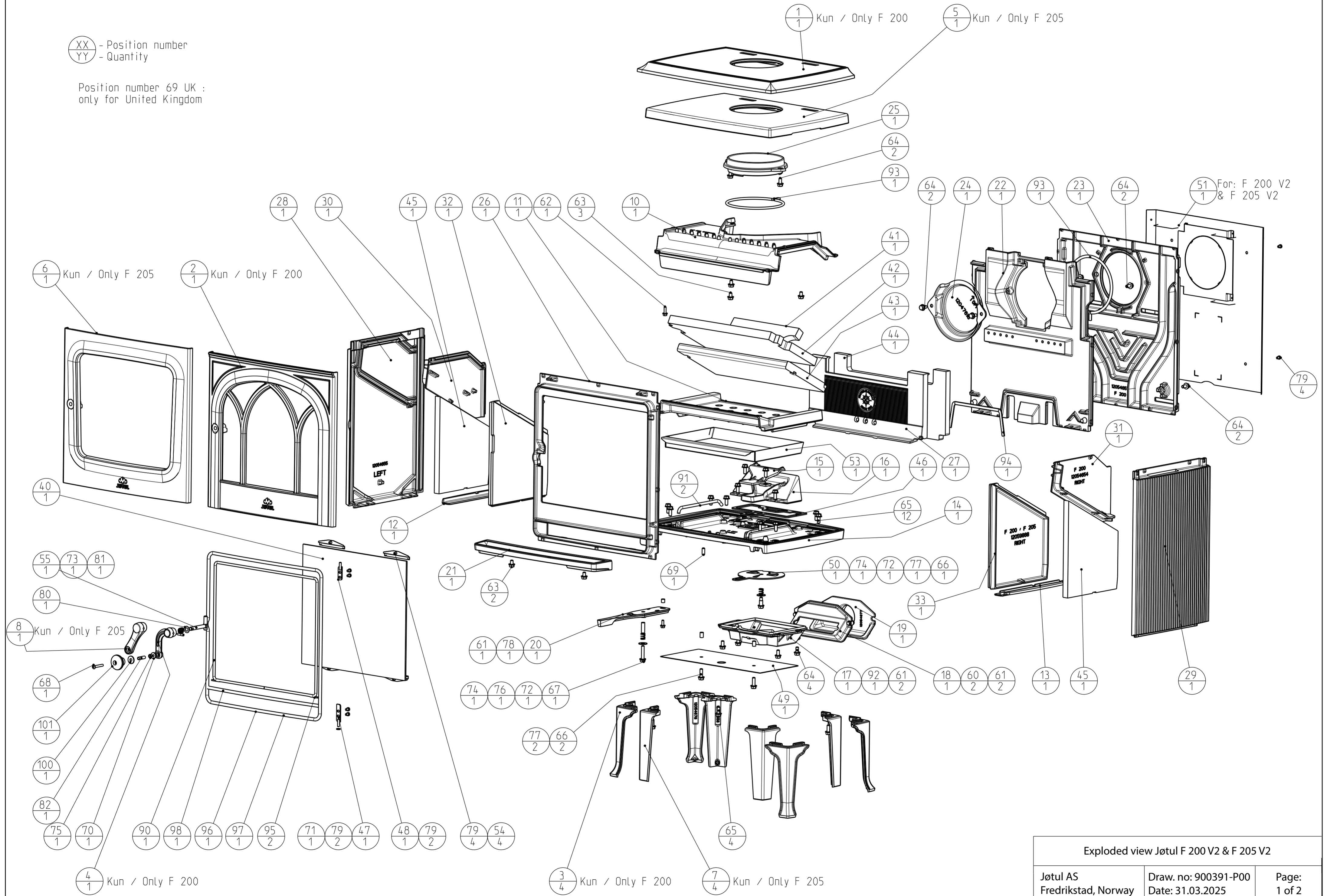


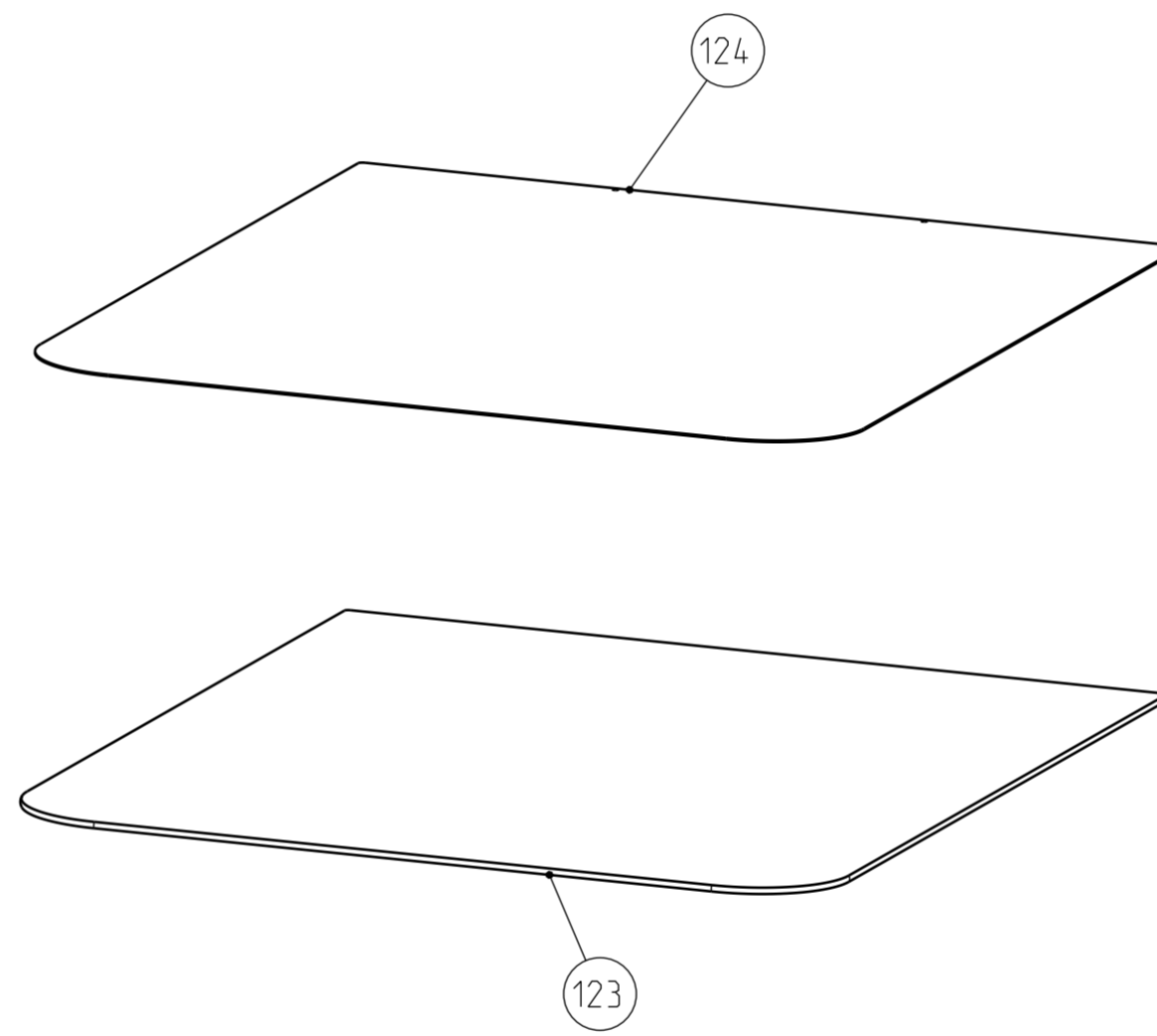
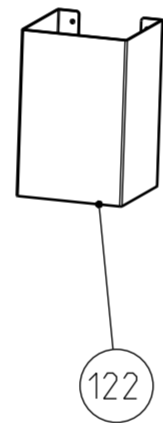
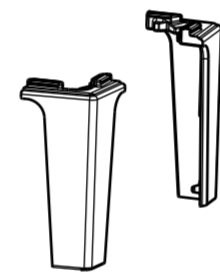
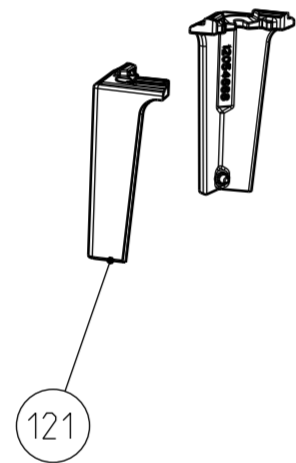
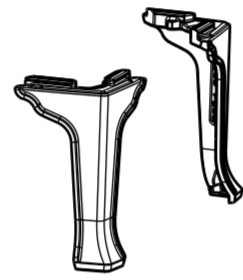
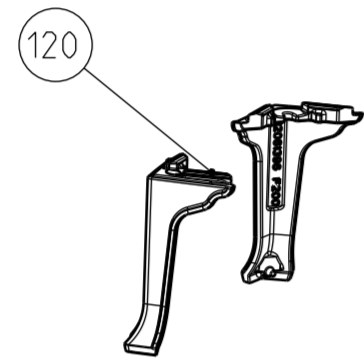
XX - Position number  
 YY - Quantity

Position number 69 UK :  
 only for United Kingdom



Exploded view Jøtul F 200 V2 & F 205 V2		
Jøtul AS Fredrikstad, Norway	Draw. no: 900391-P00 Date: 31.03.2025	Page: 1 of 2

XX - Position number  
YY - Quantity



## Jøtul F 200 V2 / F 205 V2

F 205 V2 BP: Cat No 30067015

F 200 V2 BP: Cat No 30067017

BP: Sort Lakk / Black Paint

<i>Antall</i>	<i>Pos. no.</i>	<i>Sparepart.no</i>	<i>Benevnelse</i>	<i>Description</i>	<i>Dim./Spec.</i>
1	1	12061864	Topp plate F 200	Top Plate F 200	Cast Iron
1	2	12061832	DØR KOMPL U/GLASS F 200 BP	DOOR COMPLETE WO/GL. F 200	Cast Iron
4	3	12061834	Ben F 200	Legs F 200	Cast Iron
1	4	12017311	Dør handtak F 200	Latch F3-F100-F400-F500	Cast Iron
1	5	12061865	Top plate F 205	Top Plate F 205	Cast Iron
1	6	12061833	DØR KOMPL U/GLASS F 205 BP	DOOR COMPLETE WO/GL. F 205	Cast Iron
4	7	12061835	Ben F 205	Legs F 205	Cast Iron
1	8	12061879	Dør handtak F 205	Door Handle F205	Cast Iron
1	10	12061264	Kanal top F 200 / F 205	Channel Top F 200	Cast Iron
1	11	12061290	Fyr bunn F 200 / F 205	Inner Bottom F 200	Cast Iron
1	12	12061288	Fyrbunn list venstre F 200 / F 205	In. Bottom List Left F 200	Cast Iron
1	13	12061289	Fyrbunn list høyre F 200 / F 205	In. Bottom List Right F 200	Cast Iron
1	14	12061866	Bunnplate F 200 / F 205	Bottom Plate F 200	Cast Iron
1	15	12061255	Inspeksjonsluke F 200 / F 205	Inspection Lid F 200	Cast Iron
1	16	12061254	Distribusjonsboks F 200 / F 205	Distribution Box F 200	Cast Iron
1	17	12061867	Deksel bunnplate F 200 / F 205	Cover Bottom Plate F 200	Cast Iron
1	18	12061868	Mellomstykke luft kobling F 200 / F 205	Spacer Air Connection F200	Cast Iron
1	19	12061869	Utelufttilkobling F 200 / F 205	External Air Supply F200	Cast Iron
1	20	12061870	Ventil hendel F 200 / F 205	Valve Handle F 200	Cast Iron
1	21	12061871	Askeleppe F 200 / F 205	Ash Lip F 200	Cast Iron
1	22	12061228	Inder bakplate F 200 / F 205	Inner Back Plate F 200	Cast Iron
1	23	12061872	Bakplate F 200 / F 205	Back Plate F 200	Cast Iron
1	24	12048110	Røykhullsdeksel BP	Smoke Outlet Cover BP	Cast Iron
1	25	12018871	Røkstuss	Smoke Outl Ø150 F270/370/470	Cast Iron
1	26	12061873	Frontplate F 200 / F 205	Front Plate F 200	Cast Iron
1	27	12061876	Brennplate bak F 200 / F 205	Burnplate Back F200	Cast Iron
1	28	12061874	Sidestykke F 200 / F 205	Side Plate Left F 200	Cast Iron
1	29	12061875	Sidestykke F 200 / F 205	Side Plate Right F 200	Cast Iron
1	30	12061267	Innvendig deksel venstre F 200 / F 205	Internal Cover Left F 200	Cast Iron
1	31	12061268	Innvendig deksel høyre F 200 / F 205	Internal Cover Right F 200	Cast Iron
1	32	12061877	Brennplate ventre F 200 / F 205	Burnplate Left F200	Cast Iron

## Jøtul F 200 V2 / F 205 V2

F 205 V2 BP: Cat No 30067015

F 200 V2 BP: Cat No 30067017

BP: Sort Lakk / Black Paint

<i>Antall</i>	<i>Pos. no.</i>	<i>Sparepart.no</i>	<i>Benevnelse</i>	<i>Description</i>	<i>Dim./Spec.</i>
1	33	12061878	Brennplate høyre F 200 / F 205	Burnplate Right F200	Cast Iron
1	40	10054687	Glass dør F 200 / F 205	Glass Door F 200	4mm ceramic glass
1	41	10061034	Øvre ledeplate F 200 / F 205	F 200 Exhaust Deflector Upper	Wermiculite
1	42	10061034	Nedre ledeplate F 200 / F 205	F 200 Exhaust Deflector Lower	Wermiculite
1	43	10061034	Hvelv F 200 / F 205	Lower Baffle Plate F 200	Wermiculite
1	44	10054694	Isolasjonsmatte bak F 200 / F 205	Insulation Mat Back F 200	Superwool
2	45	10054695	Isolasjonsmatte side F 200 / F 205	Insulation Mat Side F 200	Superwool
1	46	10054689	Pakning bunnplate F 200 / F 205	Gasket Bottom Plate F 200	Superwool
1	47	10054691	Hengsel øvre F 200 / F 205	Hinge Lower F 200	Steel
1	48	10054688	Hengsel nedre F 200 / F 205	Hinge Upper F 200	Steel
1	49	10061020	Skjermplate nedre F 200 / F 205	Heatshield Under F 200	Steel
1	50	10054690	Ventil plate F 200 / F 205	Valve Plate F 200	Steel
1	51	12067123	Skjermplate bak F 200 V2 / F 205 V2	Heat Shield B. F200/F205 V2 Bp	Steel
1	52	10061088	Selvlukkende fjær dør.	Spring Door Hinge	Steel
1	53	10047095	Askeskuff F 200 / F 205	Ash Pan	Steel
4	54	12020930	GLASSKLIPS FOR GLASS J3	Glassclip For No 3/8/100/500	Steel
1	55	10024515	STENGEJERN JØTUL F 500/100	STENGEJERN JØTUL F 500/100	Steel
2	60	10023666	MUTTER 6K M/FL M6 ST8,8 FOSFAT	NUT HEX CAP FL M6 ST8.8 PHOS	Steel
5	61	10023541	SKR 6K M/FL M6X16 ST8,8 FOSFAT	SCR HEXCAP FL M6X16 ST8,8 PHOS	Steel
1	62	10023540	SKR 6K M/FL M6X20 ST8,8 FOSFAT	SCR HEXCAP FL M6X20 ST8.8 UNTR	Steel
5	63	10023660	SKR 6K M/FL M8X12 ST8,8 FOSFAT	SCR HEX FL M8X12 ST8,8 FOSFAT	Steel
12	64	10023661	SKR 6K M/FL M8X16 ST8,8 FOSFAT	SCR HEXCAP FL M8X16 ST8,8 PHOS	Steel
16	65	10023662	SKR 6K M/FL M8X20 ST8,8 FOSFAT	SCR HEXCAP FL M8X20 ST8,8 PHOS	Steel
3	66	10023663	SKR 6K M/FL M8X25 ST8,8 FOSFAT	SCR HEXCAP FL M8X25 ST8,8 PHOS	Steel
1	67	10023665	SKR 6K M/FL M8X40 ST8,8 FOSFAT	SCR HEXCAP FL M8X40 ST8,8 UNTR	Steel
1	68	10023611	SKRUE MASK PANH. POZ M6X40 ELZ	SCREW MACH PANH POZ M6X40 ELZN	Steel
1	69	10023711	SKRUE SETT M8X20 DIN916	THREADPIN M8X20 DIN 916	Steel
1	70	10023780	SKIVE Ø6,4XØ18X1,6 ST8,8 UBEH	WASHER Ø6,4XØ18X1,6 ST8,8 UNTR	Steel
1	71	10024339	SKIVE MESSING Ø12,0XØ6,2X1,8	WASHER BRASS Ø12,0XØ6,2X1,8	Steel
2	72	10023578	SKIVE Ø10,5XØ25X1,5 SORTK SPES	WASHER Ø10,5XØ25X1,5 STEEL BLA	Steel
1	73	10024011	FJÆR F/KLINKE	SPRING F/LATCH	Steel
2	74	10026565	FJÆR FOR VENTILER	SPRING FOR VALVES	Steel

## Jøtul F 200 V2 / F 205 V2

F 205 V2 BP: Cat No 30067015

F 200 V2 BP: Cat No 30067017

BP: Sort Lakk / Black Paint

<i>Antall</i>	<i>Pos. no.</i>	<i>Sparepart.no</i>	<i>Benevnelse</i>	<i>Description</i>	<i>Dim./Spec.</i>
1	75	10023475	MUTTER 6K M6 ST8,8 UBEH	NUT HEX M6 ST8,8 UNTR	Steel
1	76	10025839	DISTANSEHYLSE Ø10XØ8,1X31	SPACER TUBE Ø10XØ8,1X31	Steel
3	77	10037359	HYLSE Ø10XØ8X15	SLEEVE Ø10XØ8X15	Steel
1	78	10024413	HYLSE Ø10XØ6,2X10	SLEEVE Ø10XØ6,2X10	Steel
12	79	10023561	SCR CYLH INTHEX M6X8 LOWH M6X8	SKR SYLH INNV6K M6X8 LAV FOSFA	Steel
1	80	10023672	WASHER Ø10,1XØ19,4X0,9 STEEL B	SKIVE Ø10,1XØ19,4X0,9 SORTK SP	Steel
1	81	10023684	SKR GJ ST LONG D POINT M6X25	SCREW SOC LONG D POINT M6X25	Steel
1	82	10024023	DISTANSEHYLSE Ø8X6 L=27,5	DISTANCELOCK NO 3TD 8X6 27,5	Steel
1	90	50027205 (5m)	Pakning til dørglass	Gasket Door Glass	LD-250-2 graph Ø6,4x1600mm
2	91	50027205 (5m)	Pakning til bunnplate & askeskuff	Gasket Bottom Plate & Ash Pan	LD-250-2 graph Ø6,4x210mm
1	92	50027205 (5m)	Pakning mellom deksel bunnplate & bunnplate	Gasket Cover Bottom Plate & Bottomplate	LD-250-2 graph Ø6,4x1000mm
2	93	50027205 (5m)	Pakning til røykstuss deksel	Gasket Smoke Outlet And Cover	LD-250-2 graph Ø6,4x600mm
1	94	50027204 (5m)	Pakning inderbakplate & distrib.boks	Gasket Inner Back Plate & Distribution Box	V-125x250mm graph W/A
1	95	50027204 (5m)	Pakning under glass	Gasket Under Glass	V-125x30mm graph W/A
2	96	10051974	Pakning Strømpe	Rope Connection Tube	
1	97	50027203 (5m)	Pakning mellom dør og front	Gasket Between Door And Front	LD 375-2 Ø9,5x2000mm
1	98	50027203 (5m)	Pakning mellom dør og front	Gasket Between Door And Front	LD 375-2 Ø9,5x500mm
1	100	10023919	SKIVE KLINGERITT F/HÅNDTAK	INSUL.WASHER FOR WOODEN KNOB	
1	101	10024025	Treknott	Wood Handle	Wood
	120	51061804	korte ben F 200 4 stk pakket.	SHORT LEGS F 200 4-PACK BP	
	120	12061805	Korte ben F 200	SHORT LEGS F 200	Cast Iron
	121	51061807	korte ben F 205 4 stk pakket.	SHORT LEGS F 205 4-PACK BP	
	121	12061808	Korte ben F 205	SHORT LEGS F 205	Cast Iron
	122	50061978	Uteluftdeksel	Outside air cover	Steel
	123	51013646	GULVPL 100MM B=800 D=1000 MBE	FLOORPL 100MM B=800 D=1000 BLACK ENAMEL	Steel
	123	51014039	GULVPLATE 800X1000 PULVL SORT	FLOORPL 100MM B=800 D=1000 BLACK PAINT	Steel
	124	50027454	GULVPLATE GLASS 800X1000	H/GLASS FL.PL. SQUARE 80X100CM	Glass