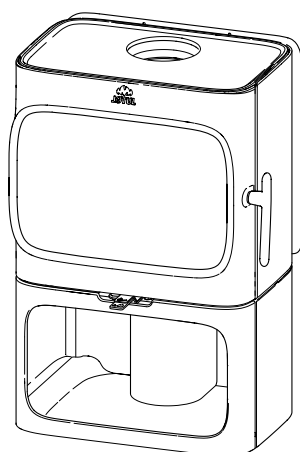
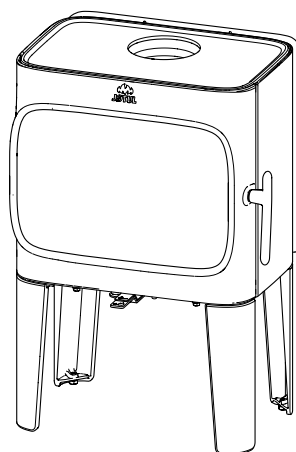


Konveksjonsplate F 105

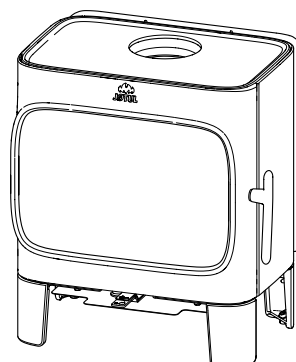
Convection Shield Rear F 105



Jøtul F 105 B



Jøtul F 105 LL



Jøtul F 105 SL

Fig 1

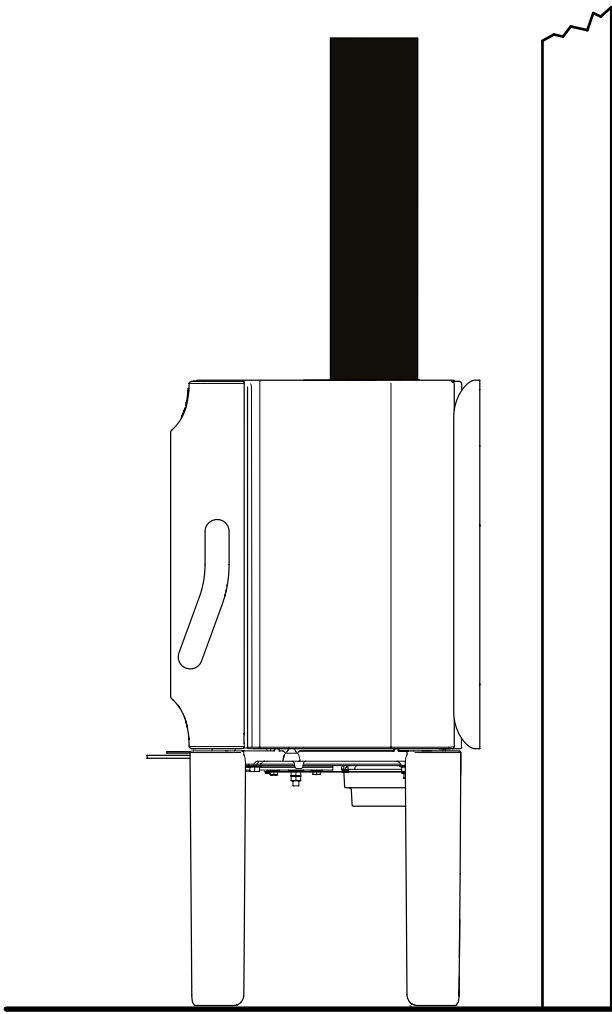


Fig 2

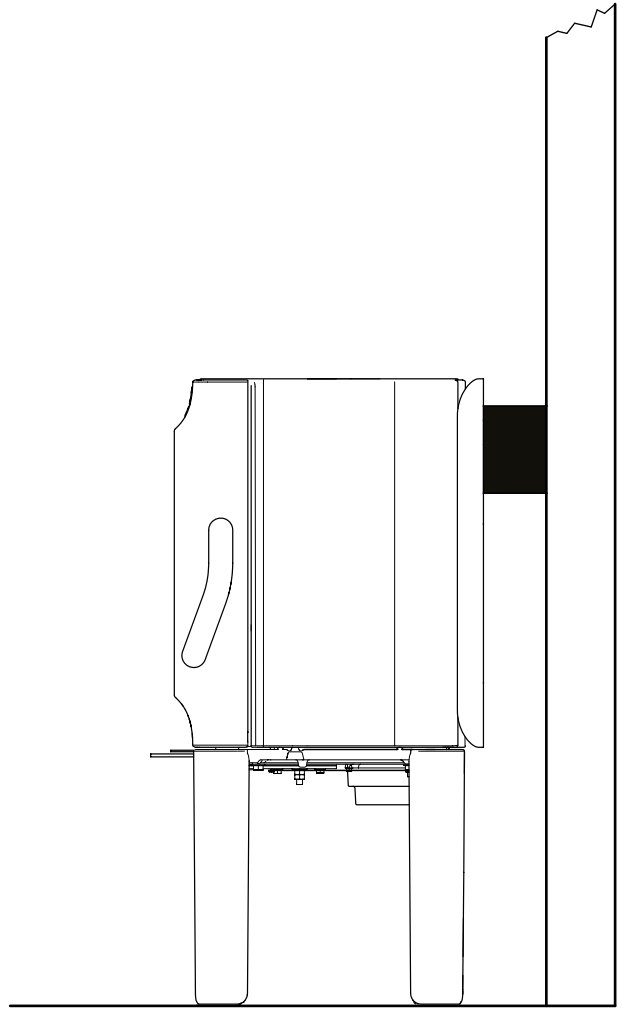


Fig 3

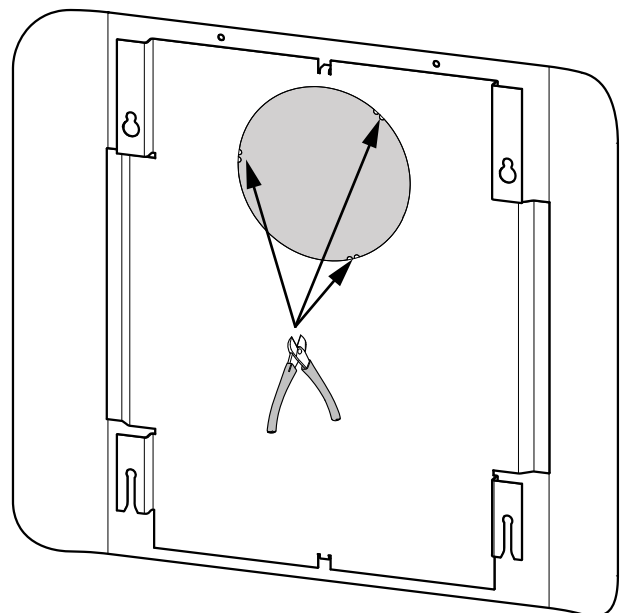


Fig 4

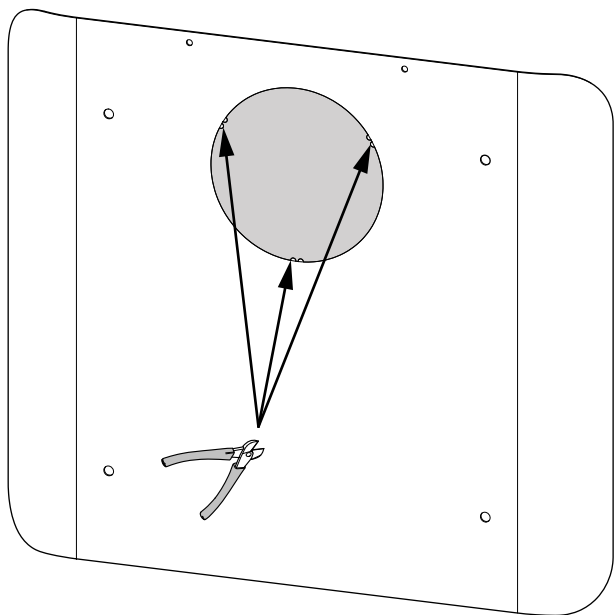


Fig 6

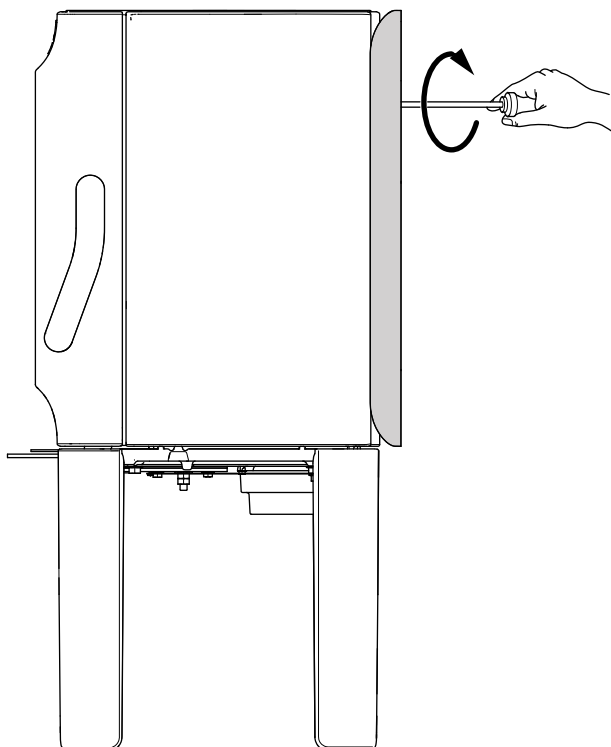


Fig 5

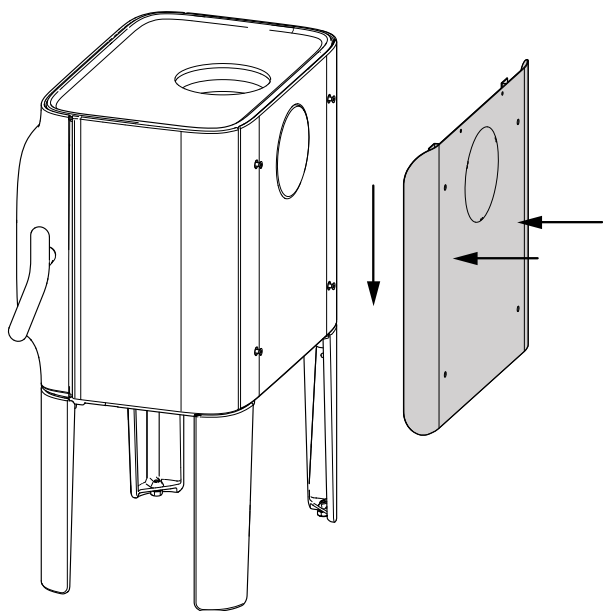
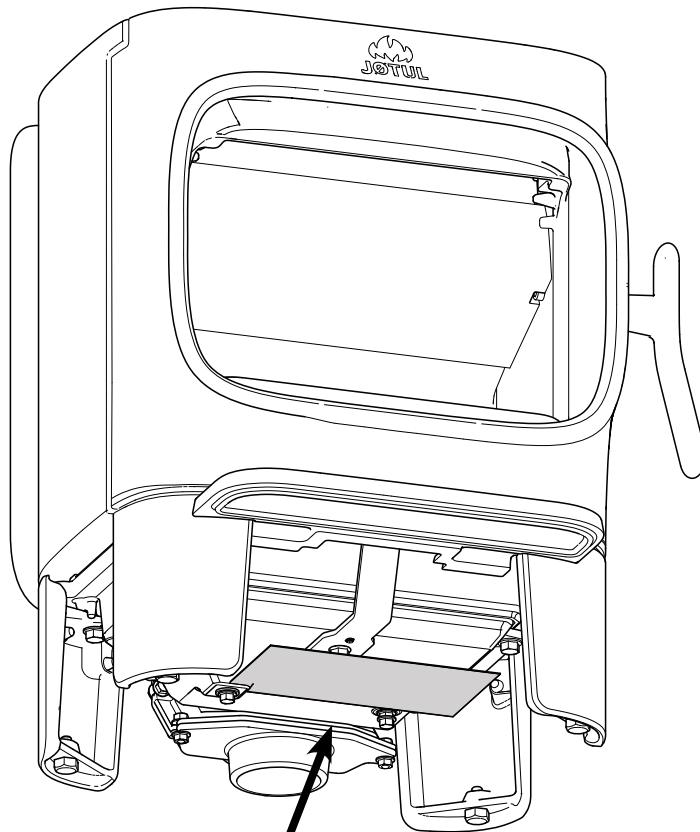


Fig 7



Jøtul F 105 Series
(From manual)

Product:
Jøtul
Room heater fired by solid fuel

Standard
Minimum distance to adjacent combustible materials:
Minimum distance to adjacent combustible materials:
Maximum temperature of CO in combustion products:
Maximum heat output:
Temperature range:
Fuel type:
Installation type:
This appliance can be used in a shared flue.

Country	Classification	Certificate/standard	Approved by
Norway			
Sweden			
EUR			

Follow user's instructions. Use only recommended fuels.
Montage- und Bedienungsanleitung beachten.
Verwenden Sie nur die empfohlenen Brennstoffe.
Respectez les consignes d'utilisation. Utilisez uniquement les combustibles recommandés.

Cut off this part and replace the label already attached to the product with this one.

Jøtul F 105 R Series

Original

Product:
Jøtul
Room heater fired by solid fuel

Standard
Minimum distance to adjacent combustible materials:
Minimum distance to adjacent combustible materials:
Maximum temperature of CO in combustion products:
Maximum heat output:
Temperature range:
Fuel type:
Installation type:
This appliance can be used in a shared flue.

Country	Classification	Certificate/standard	Approved by
Norway			
Sweden			
EUR			

Follow user's instructions. Use only recommended fuels.
Montage- und Bedienungsanleitung beachten.
Verwenden Sie nur die empfohlenen Brennstoffe.
Respectez les consignes d'utilisation. Utilisez uniquement les combustibles recommandés.

Manufacturer:
Jøtul AS
POB 1441
N-1602 Fredrikstad
Norway

Cat.no 10050020-P00
Jøtul AS, OK: 2015

Jøtul arbeider kontinuerlig for om mulig å forbedre sine produkter, og vi forbeholder oss retten til å endre spesifikasjoner, farger og utstyr uten nærmere kunngjøring.

Kvalitet

Jøtul AS arbeider etter et kvalitetssikringssystem basert på NS-EN ISO 9001 for utvikling, produksjon og salg av ildsteder. Vår kvalitetspolitikk skal gi kundene den trygghet og kvalitetsopplevelse som Jøtul har stått for siden bedriftens historie startet i 1853.



Jøtul AS,
P.o. box 1411
N-1602 Fredrikstad,
Norway
www.jotul.no