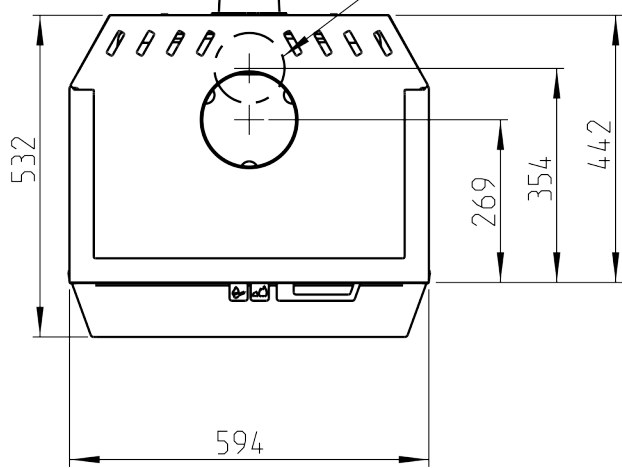
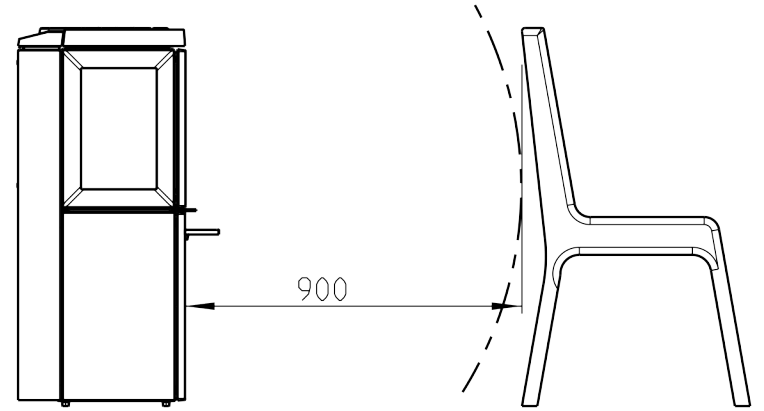


Hole in wall for outside air connection  $\varnothing 80 / \varnothing 100$

Hole in floor for outside air connection  $\varnothing 80 / \varnothing 100$

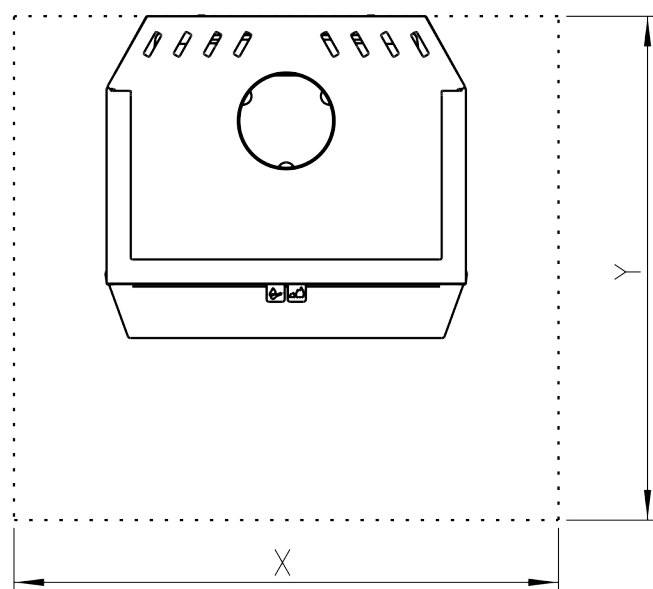
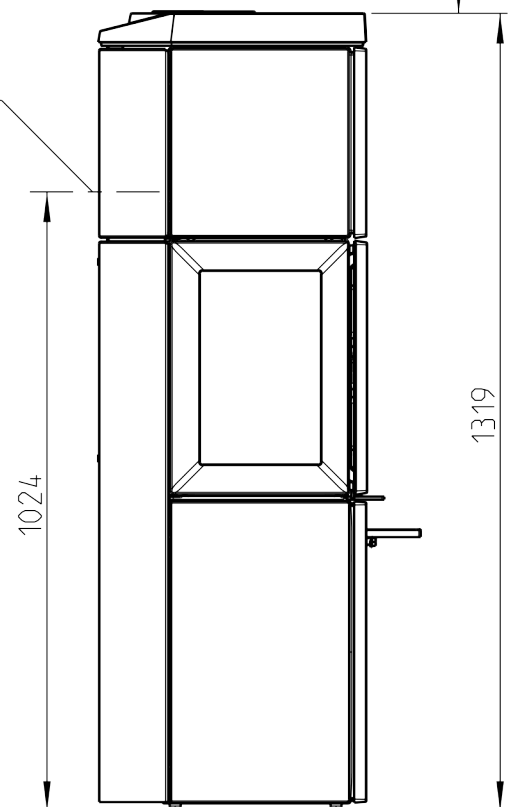


Minimum clearance from furniture/combustible materials



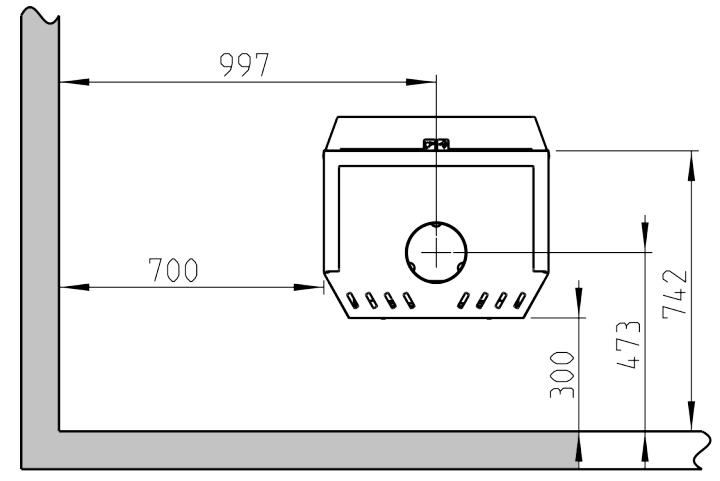
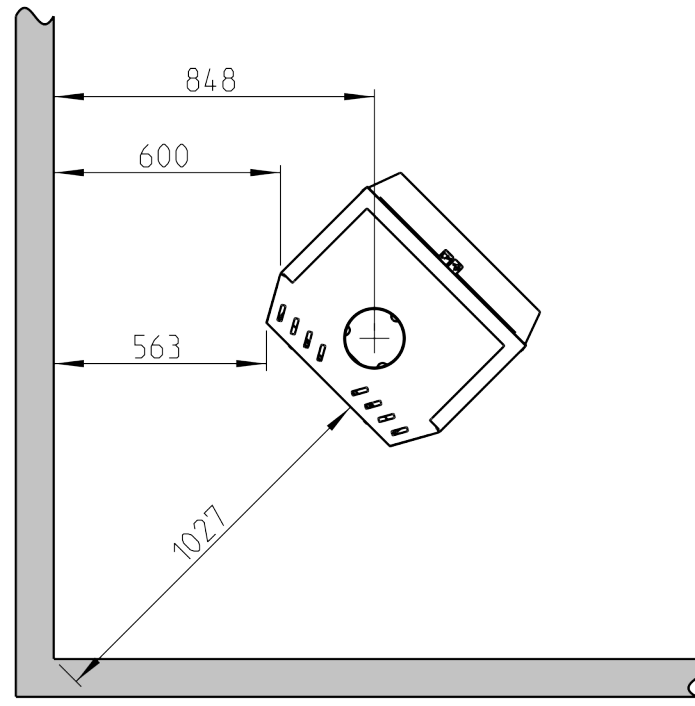
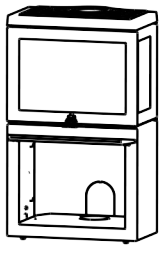
Minimum distance to ceiling

Rear outlet  
Only for HT

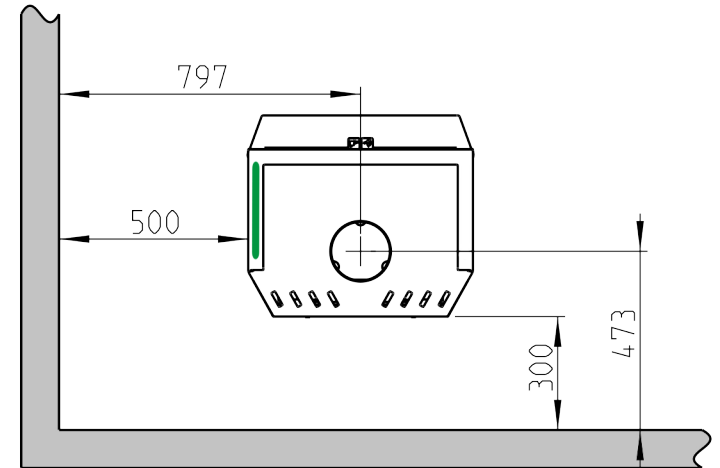
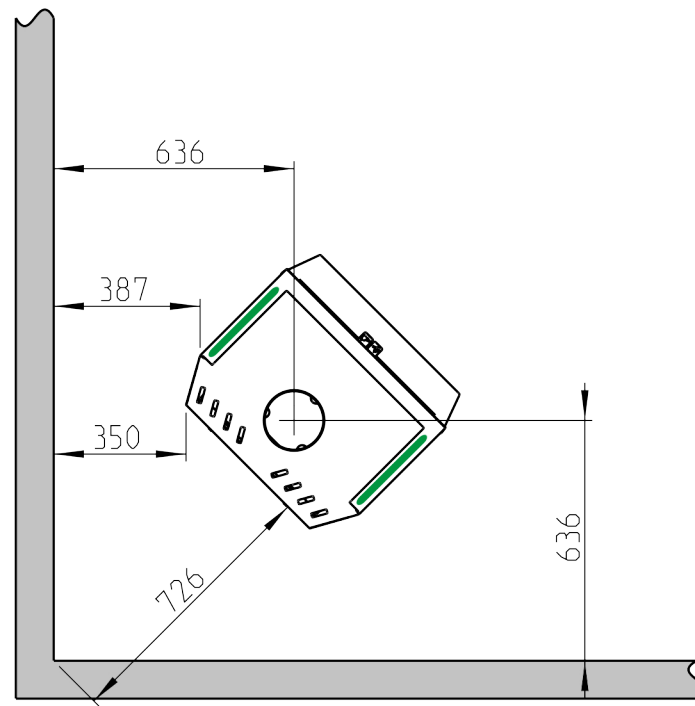
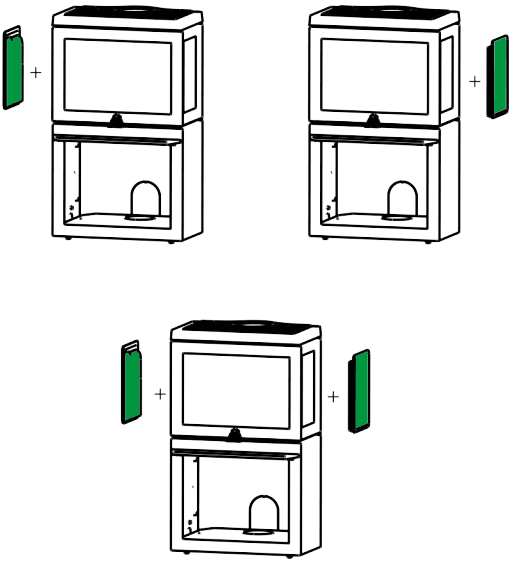


Min. dimensions for floor plate

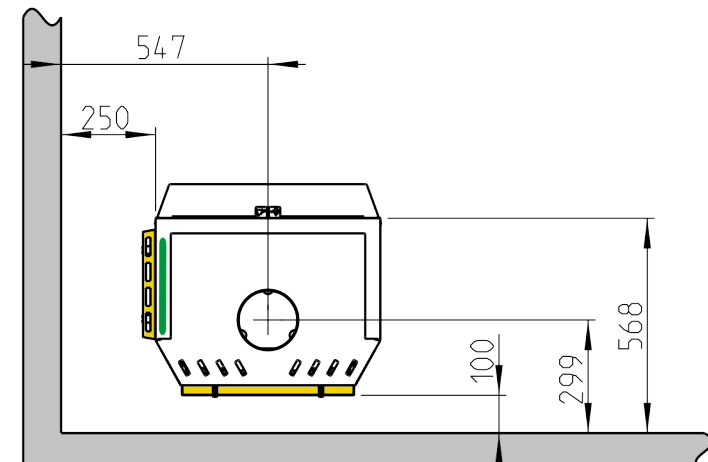
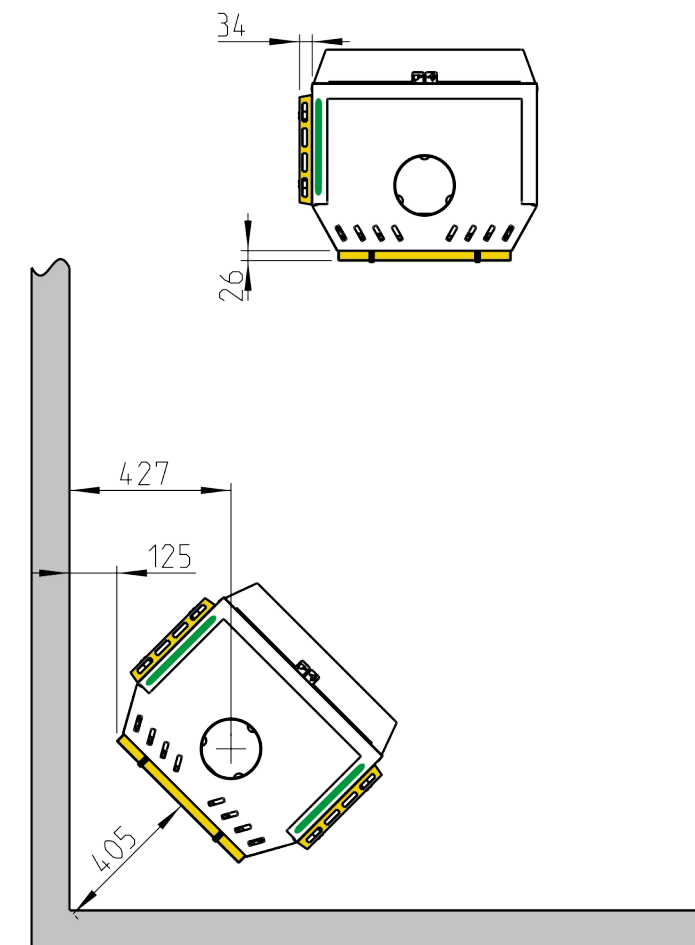
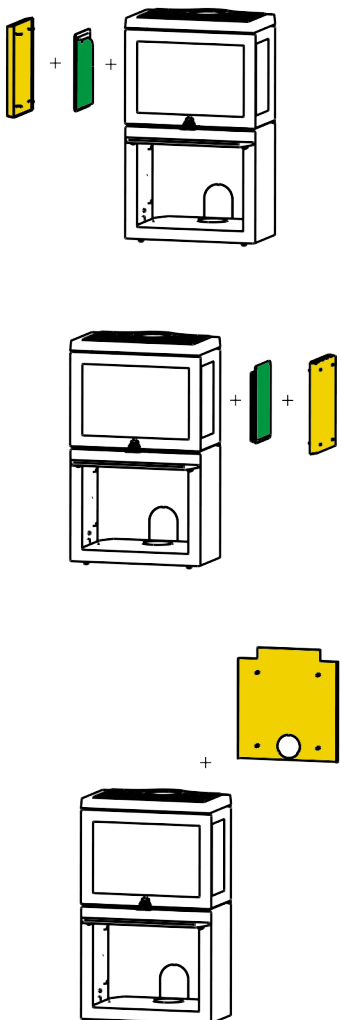
X/Y = in compliance with national laws and regulations

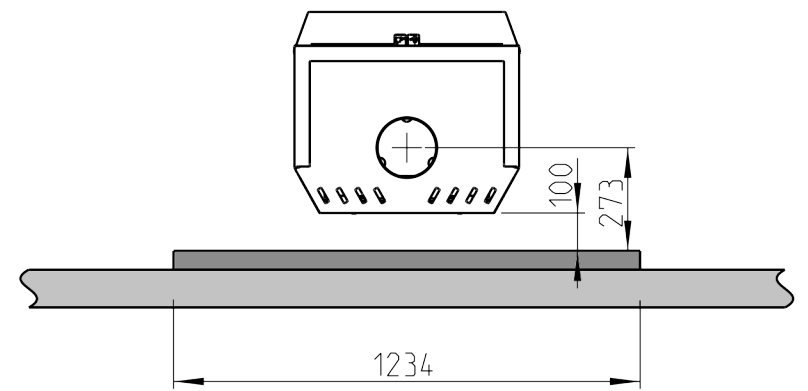
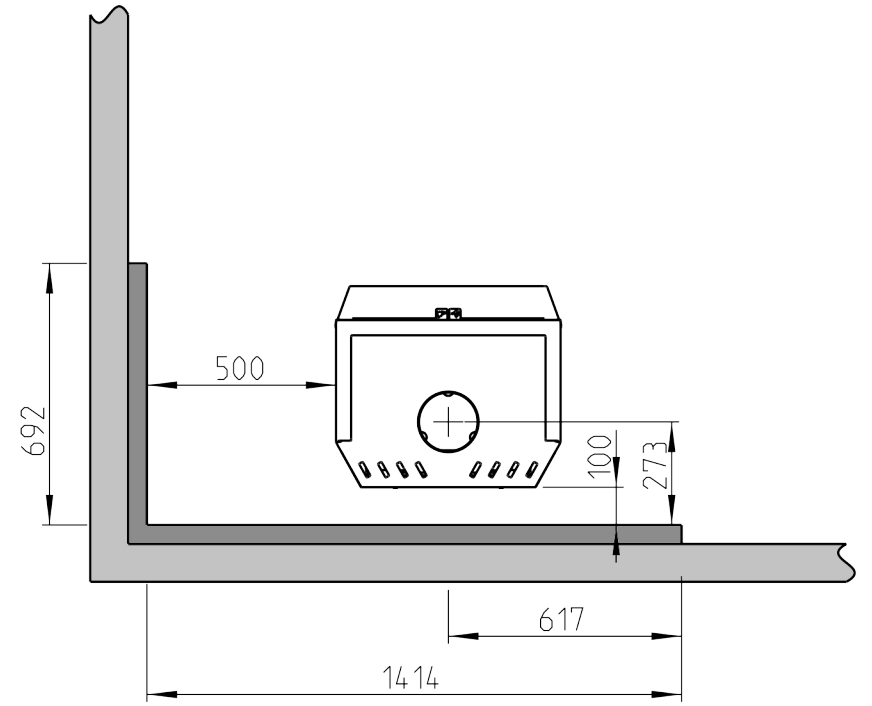
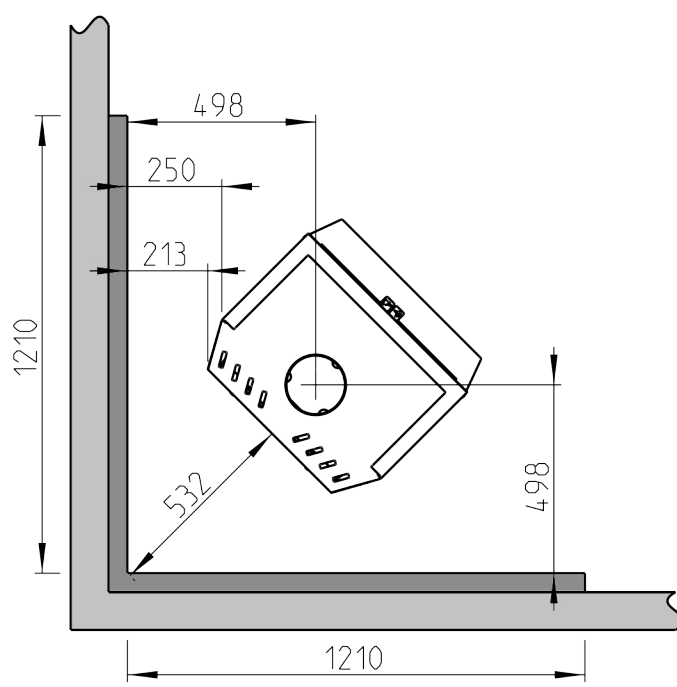
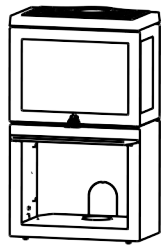


With retrofitted cast iron side



- With retrofitted cast iron side and convection kit side
- With retrofitted convection kit rear





With retrofitted cast iron side

