

INSTALLATION & MOUNTING

Light Bases

L-867/L-868



Compliance with Standards

FAA: L-867 & L-868 AC 150/5345-42 (Current Edition)

Uses

FAA L-867

Applications subject to occasional light vehicular loads but no aircraft or other heavy vehicular loads. Some product applications are:

- Elevated Lights
- Navaids such as Precision Approach Path Indicators (PAPI), Runway End Identifier Lights (REIL), and ALSF/MALSR Approach Systems
- Signs
- Junction/Splice Box

FAA L-868

Applications subject to aircraft and other heavy vehicular loads. Some product applications are:

- Runway In-pavement Lights
- Taxiway In-pavement Lights
- Junction/Splice Box

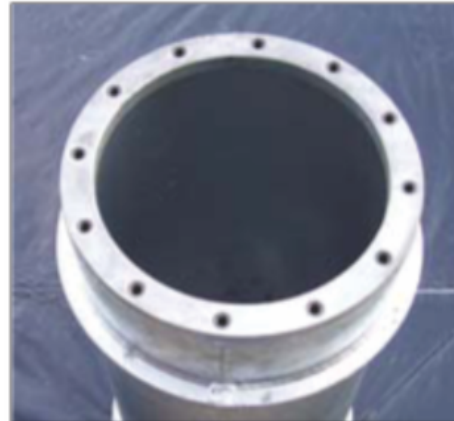
Features

- One- and two-piece configurations
- Extensions and spacers available
- Manufactured in the USA by ETL-Certified suppliers
- Supplied with 2-2" grommets or threaded hub openings at 0-180° (standard). Optional locations and sizes available.
- All bases provided with an internal and external ground strap
- One copper ground lug kit provided with each base (standard). A second ground lug kit can be provided as an option.
- Optional drain hole or hub in user-specified sizes
- Standard bases provided as Class IA, galvanized steel unless otherwise specified
- Optional Class IB available in stainless steel or internal epoxy coating. See ordering code for options.

Optional Replaceable Threaded Inserts

Optional RTI (replaceable threaded insert) system facilitates:

- Replacement of failed threaded fixture-mounting bolt holes
- Replacement of stripped, sheared, cross-threaded, frozen fixture-mounting bolts
- Does not require changing the azimuth location of the base bolt circle
- Accommodates standard, non proprietary spacer rings and flange rings (with/without dam rings)
- Kit part numbers to add RTI to L-867/L-868 bases:
 - L-867 Base – L867RTI06 (set of six inserts)
 - L-868 Base – L868RTI12 (set of twelve inserts)



L-868 Replacement Insert

INSTALLATION & MOUNTING

Light Bases RoW

Ordering Code

JAQ XXX XX XX X X X X X X X

Material

- AC = 1A GALVANIZED BASE
- ACS = 1B STAINLESS STEEL BASE
- ACB = 1B VEGA KOTE BASE

Series

- 08 = A/ 8" L868
- 40 = A/ 8" L868 BOTTOM SECTION
- 21 = B/ 12" L867
- 20 = B/ 12" ADJUSTABLE
- 24 = B/ 12" L868
- 44 = B/ 12" L868 BOTTOM SECTION
- 35 = C/ 15" L868
- 45 = C/ 15" L868 BOTTOM SECTION
- 63 = D/ 16" L867
- 60 = D/ 16" ADJUSTABLE
- 61 = LB/ 16" 1315A
- 67 = E/ 24" L867
- 62 = LB/ 16" 4A (E-2491)

Height

- 24 = 24 INCHES OVERALL HEIGHT
- 20 = 20 INCHES OVERALL HEIGHT
- XX = CUSTOMER SPECIFIED IN INCHES

Conduit Openings

- 1 = 1"
- 2 = 2"
- 3 = 3"
- 4 = 4"
- 5 = 3/4"
- 6 = 1 1/2"
- 7 = 2" SOLID FLEX PUNCHED
- 8 = 3" SOLID FLEX PUNCHED
- 9 = 4" SOLID FLEX PUNCHED
- 0 = NONE

Conduit Type

- C = COUPLING
- H = HALF COUPLING
- Q = FLEX GROMMET
- 0 = NONE

Conduit Locations

- 1 = 0°
- 2 = 0°-180°
- 3 = 0°-90°-180°
- 4 = 0°-90°-180°-270°
- 5 = 0°-0°-90°-180°-180°
- 6 = 0°-0°-90°-90°-180°-180°
- 7 = 0°-0°-90°-90°-180°-180°-270°
- 8 = 0°-0°-90°-90°-180°-180°-270°-270°
- 9 = NA
- A = 0°-0°-180°-180°
- P = STD PLAZA: 0-180 2.5" UP & 90-270 5" UP
- 0 = NONE

Shipping Covers

- 1 = 1/2" L867 / 1315A
- 2 = 1/2" L867 w/Mudplate
- 3 = 3/4" L868
- 4 = NA
- 5 = 1 1/4" L868
- 6 = NA
- 7 = 1 1/4" LB
- 9 = 5/8" w/Mudplate
- 0 = None

Special Features

- 1 = 1/4" BOTTOM w/HOOKS
- P = 1/4" BOTTOM w/HOOKS .130 WALL
- 2 = 3 ANTI-ROTATION FINS - 120° SPACING
- 3 = TOP FLANGE PCC BAND
- 4 = MID-RING ON L868 10" OR LESS
- 5 = .109" BOTTOM w/HOOKS
- 6 = 4 ANTI-ROTATION FINS - 90° SPACING
- 7 = MID-RING ON L867
- 8 = .109 BOTTOM 4 BARS
- 9 = .109 BOTTOM 4 BARS .130 WALL
- 0 = NONE
- B = 3/4" PAVEMENT DAM, EPOXY HOOKS
- C = 5/8" PAVEMENT DAM, EPOXY HOOKS
- D = 19-28" OAH TOP 10.375 BOTTOM 18.5"
- E = 19-24" OAH TOP 6.375 BOTTOM 18.5"

Ground Straps

- 1 = INT GRD STRAP ONLY
- 2 = EXT GRD STRAP ONLY
- 3 = INT / EXT GRD STRAP
- 4 = 2 - EXT / 1 INT GRD STRAP
- 5 = EXT GRD ROD - INT STRAP
- 6 = EXT GRD ROD - INT / EXT GRD STRAP
- 7 = INT / EXT GRD STRAP W/ OFFSET HOLE FOR GRD ROD
- 8 = INT / EXT GRD STRAP - 1 AWS0919 SUPPLIED
- 9 = INT / EXT GRD STRAP - 2 AWS0919 SUPPLIED
- 0 = NONE

Drain Fitting Type

- C = COUPLING
- H = HOLE
- Q = FLEX GROMMET
- 0 = NONE

Drain Fitting Size

- 1 = 1"
- 2 = 1/2"
- 3 = 3/4"
- 4 = 1/2" OFFSET 3 1/2"
- 5 = 3/4" OFFSET 3 1/2"
- 6 = 2"
- 7 = 3"
- 8 = 1 1/2"
- 9 = 4"
- 0 = NONE

Light Bases

L-867 Light Base

- Tapped holes in top flange rings are located on centerline of couplings. Tolerance: ± 0.1875 inch (0.47 cm).
- Light bases available with either 2-inch (5.08 cm) NPT hub or 2-inch (5.08 cm) grommet openings. Couplings located 180° apart. Tolerance: $\pm 1^\circ$.
- Threads inside couplings are protected with L.D.P.E. plugs
- All light bases provided with an Exterior Grade CC plywood shipping cover that is 0.5-inch (1.27 cm) thick grade CC with 0.4375-inch (1.11 cm) diameter bolt holes
- Six 3/8-inch-16 \times 1-inch stainless steel machine screws secure the plywood shipping cover to the light base
- Optional second ground lug kit for grounding provision and/or drain coupling or weep hole must be specified when ordering
- Finish is hot dip galvanized per ASTM A123/A123M-02 and A153 or material is 304 stainless steel
- Standard lengths for the 12-inch (30.48 cm) diameter light base are 20 inches (50.8 cm) and 24 inches (60.96 cm) with a tolerance of ± 0.25 inch. Standard lengths for the 16-inch (40.64 cm) diameter light base are 20 inches (50.80 cm) and 24 inches (60.96 cm) with a tolerance of ± 0.25 inch. Standard lengths for the 24-inch (60.96 cm) diameter light base are 20 inches (50.80 cm) and 24 inches (60.96 cm) with a tolerance of ± 0.25 inch. Custom heights available.
- Adjustable L-867 telescoping bases available. Please contact the ADB Safegate Sales Department for details.

Dimensions - L-867

| Inches | | | | | |
|-------------|--------|--------|--------|--------|--|
| Nom. Dia. | "A" | "B" | "C" | "D" | |
| 12.0 | 13.500 | 10.250 | 12.250 | 9.250 | |
| 16.0 | 17.375 | 14.250 | 16.250 | 12.375 | |
| 24.0 | 24.000 | 21.500 | 22.500 | 20.000 | |
| Centimeters | | | | | |
| Nom. Dia. | "A" | "B" | "C" | "D" | |
| 30.5 | 34.290 | 26.035 | 31.115 | 23.495 | |
| 40.6 | 44.133 | 36.195 | 41.275 | 31.433 | |
| 61.0 | 60.960 | 54.610 | 57.150 | 50.800 | |

L-868 Light Base

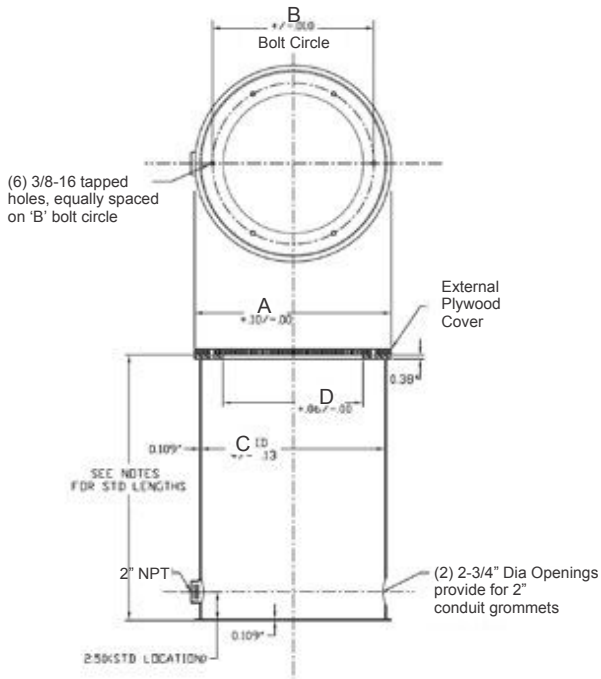
- Light bases available with either 2-inch (5.08 cm) NPT hub or 2-inch (5.08 cm) grommeted openings. Couplings or grommeted openings located 180° apart. Tolerance: $\pm 1^\circ$
- Threads inside hubs are protected with L.D.P.E. plugs
- All light bases are provided with a nylon (standard) or plywood (optional) shipping cover:
 - 8-in (20.3 cm) Nom. O.D.: 8.5-in dia. \times 0.750-in thick (21.590 cm \times 1.905 cm)
 - 12-in (30.5 cm) Nom. O.D.: 12.5-in dia. \times 0.750-in thick (31.75 cm \times 1.905 cm)
 - 15-in (38.1 cm) Nom. O.D.: 17.750-in dia. \times 1.25-in thick (45.085 cm \times 3.175 cm)
- Six 3/8-inch -16 \times 1-inch stainless steel machine screws secure the plywood shipping cover to the light base
- Finish is hot dip galvanized per ASTM A123/A123M-02 and A153 or material is 304 stainless steel
- Optional Equipment – Second ground lug kit for grounding provision, drain coupling or opening. Anti-rotation bars must be specified when ordering.

Dimensions - L-868

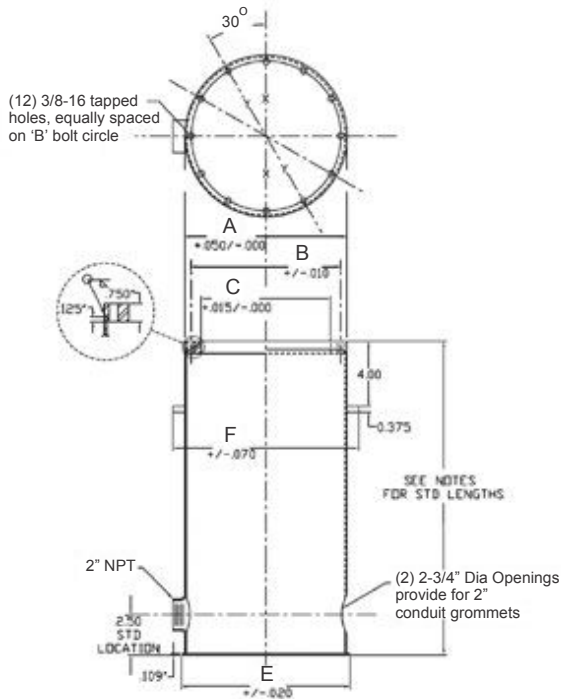
| Inches | | | | | |
|-------------|--------|--------|--------|--------|--------|
| Nom. Dia. | "A" | "B" | "C" | "E" | "F" |
| 8.0 | 8.5000 | 7.250 | 6.500 | 9.000 | 10.000 |
| 12.0 | 12.500 | 11.25 | 10.000 | 13.000 | 14.000 |
| 15.0 | 15.500 | 14.25 | 13.000 | 16.000 | 17.000 |
| Centimeters | | | | | |
| Nom. Dia. | "A" | "B" | "C" | "E" | "F" |
| 25.4 | 21.590 | 18.415 | 16.510 | 22.860 | 25.400 |
| 30.5 | 31.750 | 28.575 | 25.400 | 33.020 | 35.560 |
| 38.1 | 39.370 | 36.195 | 33.020 | 40.640 | 43.180 |

INSTALLATION & MOUNTING

Light Bases



Typical L-867D - All dimensions shown in inches



Typical L-868 - All dimensions shown in inches

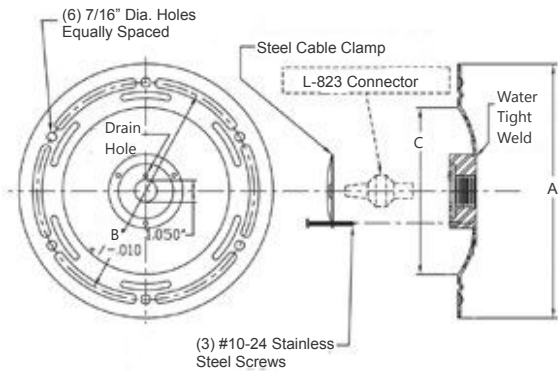
L-867 Base Plate and Gasket

- Gasket suitable for locations where heat is not present, such as elevated edge lights, edge light extensions, transformer boxes, or junction boxes
- Base plate finish is oxide primer and aviation yellow enamel
- Base plate individually packed with neoprene gasket, steel cable clamp and screws for securing L-823 connector, and assembly instructions
- High-strength 1832RGL base plate is mandatory for FAA L-804 applications and should be used for ICAO applications.

Dimensions - Base Plate

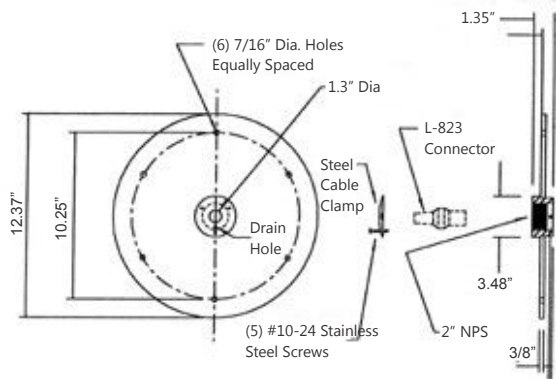
| Inches | | | | |
|-------------|--------|--------|--------|-------|
| Nom. Dia. | "A" | "B" | "C" | "D" |
| 12 | 12.000 | 10.250 | 7.875 | 0.625 |
| 16 | 16.000 | 14.250 | 11.125 | 0.750 |
| Centimeters | | | | |
| Nom. Dia. | "A" | "B" | "C" | "D" |
| 30.5 | 30.48 | 26.035 | 20.002 | 1.588 |
| 40.7 | 40.65 | 36.195 | 28.258 | 1.905 |

Light Bases



L-867 Base Plate - All dimensions shown in inches

³ Base must have opening at 0° and 180° to allow for draining of the galvanizing materials. A solid grommet will be installed at 180°.



1832RGL Base Plate - All dimensions shown in inches

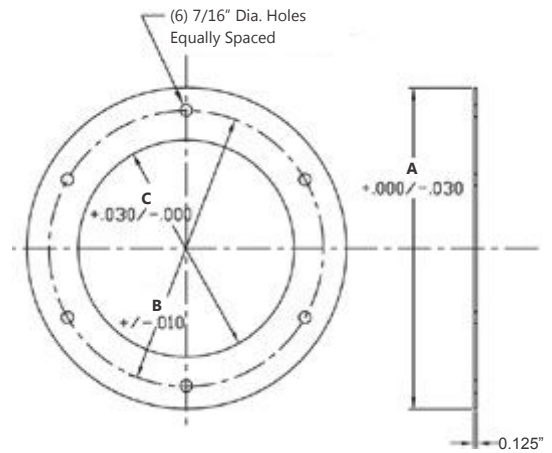
Dimensions - Neoprene Gasket

| Inches | | | |
|-------------|--------|--------|--------|
| Nom. Dia. | "A" | "B" | "C" |
| 12 | 11.938 | 10.250 | 9.312 |
| 16 | 15.938 | 14.250 | 12.438 |
| 24 | 23.750 | 21.500 | 20.000 |
| Centimeters | | | |
| Nom. Dia. | "A" | "B" | "C" |
| 30.5 | 30.232 | 26.035 | 23.652 |
| 40.7 | 40.483 | 36.195 | 31.593 |
| 60.96 | 60.325 | 54.610 | 50.800 |

Neoprene Gasket Ordering Code

Base Plate
 20 = 12 in, L-867B
 60 = 16 in, L-867D
 70 = 24 in, L-867E

XX 52



Neoprene Gasket - All dimensions shown in inches

INSTALLATION & MOUNTING

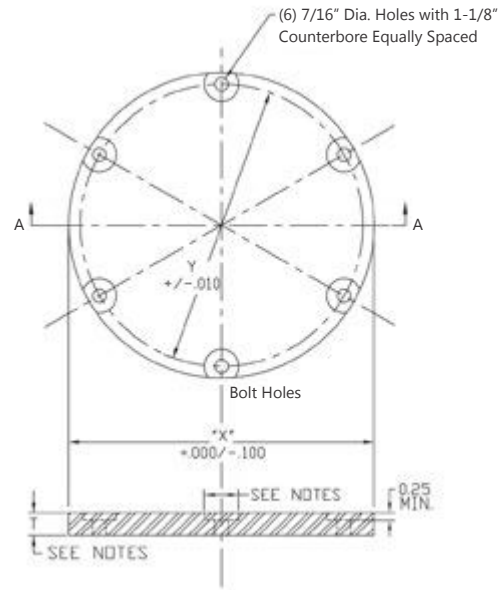
Light Bases

L-867 / L-868 Blank Steel Cover

- "T" = thickness in sixteenths of an inch. Specify thickness when ordering.
- 7/16-inch (1.113 cm) diameter bolt holes have 1-1/8-inch (2.858 cm) diameter counter bore when cover thickness is 0.50 inch (1.27 cm) or greater
- Finish is hot dip galvanized per ASTM A123/A123M-02 and A153
- Blank steel covers do not include bolts or gaskets

Dimensions - L-867 / L-868 Blank Steel Cover

| Inches | | | | | | |
|-------------|------------|------------|----------|------------|------------|------------|
| Dia. Base | 12 L-867 | 16 L-867 | 24 L-867 | 8 L-868 | 12 L-868 | 15 L-868 |
| "X" O.D. | 13.500 | 17.375 | 24.000 | 8.000 | 12.000 | 15.000 |
| "Y" O.D. | 10.250 | 14.250 | 21.500 | 7.250 | 11.250 | 14.250 |
| "T" (Typ.) | 0.375 | 0.375 | 0.500 | 0.750 | 0.750 | 1.250 |
| Centimeters | | | | | | |
| Dia. Base | 30.5 L-867 | 40.6 L-867 | 61 L-867 | 20.3 L-868 | 30.5 L-868 | 38.1 L-868 |
| "X" O.D. | 34.290 | 44.133 | 60.960 | 20.320 | 30.480 | 38.100 |
| "Y" O.D. | 26.035 | 36.195 | 54.610 | 18.415 | 28.575 | 36.195 |
| "T" (Typ.) | 0.953 | 0.953 | 0.953 | 1.905 | 1.905 | 3.175 |



Blank Steel Cover - All dimensions shown in inches

L-868 Flange Ring with Pavement Ring

- "T" = thickness in sixteenths of an inch. Minimum thickness is 0.375 inch (0.953 cm) and maximum thickness is 0.75 inch (1.905 cm). Specify when ordering.
- Finish is hot dip galvanized per ASTM A123/A123M-02 and A153 for flange ring
- Six 3/8-16-inch x "T"-inch + 1/4-inch long stainless steel bolts, 3/8-inch locking washers and O-ring gasket shipped with flange ring. If flange ring is to be stacked over spacer ring, please consult ADB Airfield Solutions for a bolt chart to obtain the appropriate bolt length and ordering information.

Dimensions - Flange Ring with Pavement Ring

| Inches | | | | |
|-------------|--------|--------|--------|--------|
| Nom. Dia. | "A" | "B" | "C" | "H" |
| 8" | 8.160 | 7.250 | 6.500 | 6.645 |
| 12" | 12.160 | 11.250 | 10.000 | 10.145 |
| 15" | 15.160 | 14.250 | 13.000 | 13.145 |
| Centimeters | | | | |
| Nom. Dia. | "A" | "B" | "C" | "H" |
| 20.3 | 20.726 | 18.415 | 16.510 | 16.878 |
| 30.5 | 30.798 | 28.575 | 25.400 | 25.768 |
| 38.1 | 38.506 | 36.195 | 33.020 | 33.388 |

