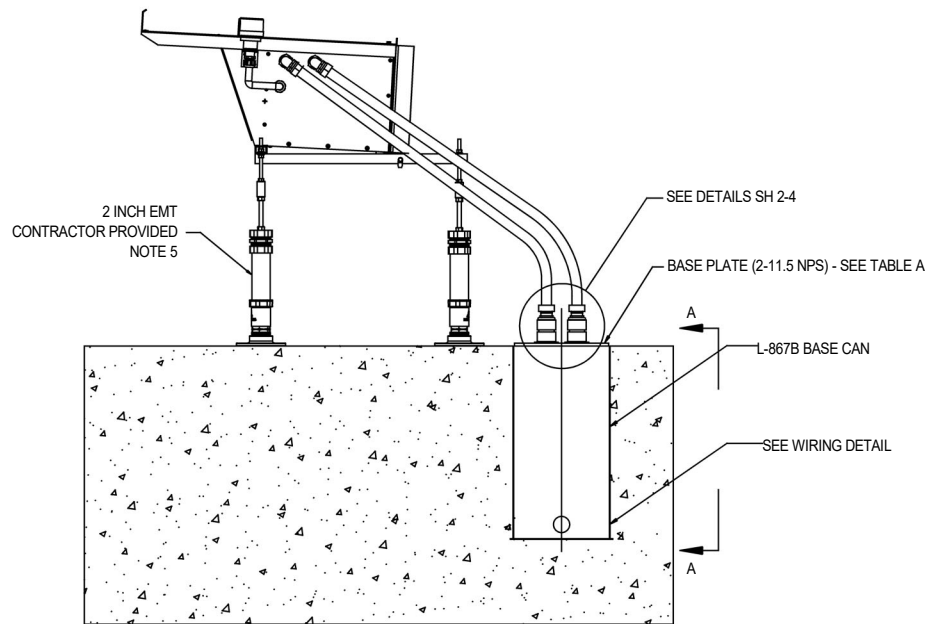
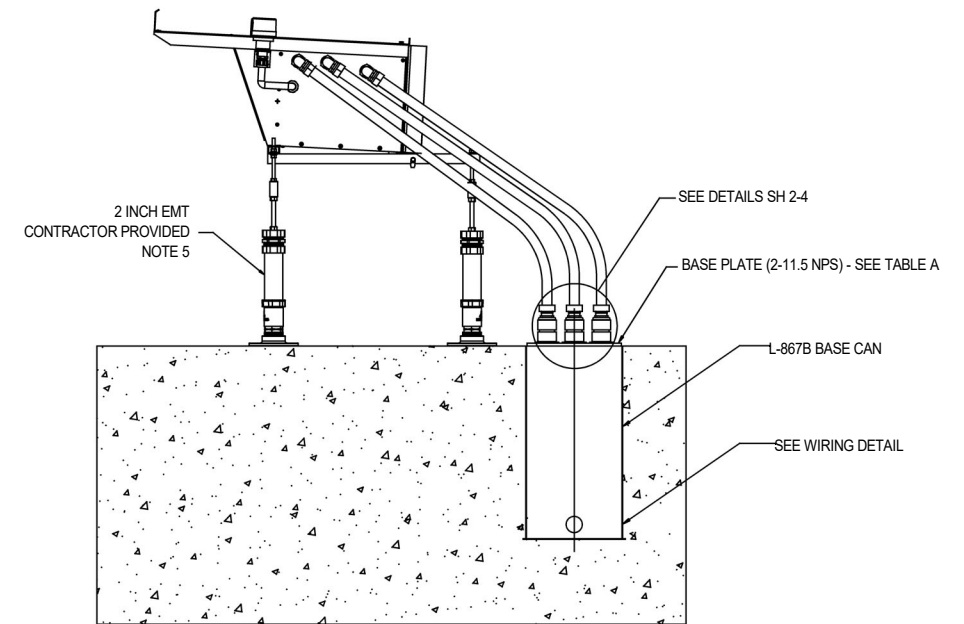


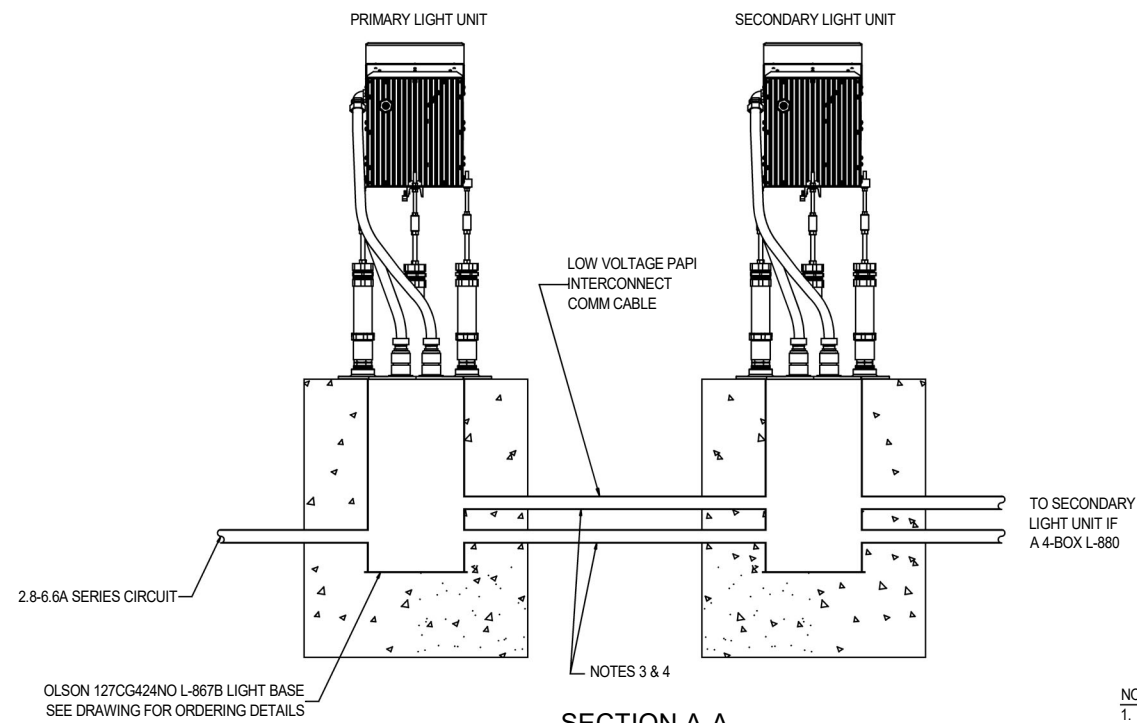
ONE CONDUIT  
SEE TABLE B FOR USAGE



TWO CONDUITS  
SEE TABLE B FOR USAGE



THREE CONDUITS  
SEE TABLE B FOR USAGE



SECTION A-A

SYSTEM	QTY	JAQUITH	MILLERBERND	ALE	DESCRIPTION
2 BOX PAPI A	1	AP1932G	1932G	ALE1932G	L-867B BASE PLATE 1/8"TH 1 HUB 2" NPS 12" DIA
	1	AP1832-2G	1832G/2	ALE1832G/2B	L-867B BASE PLATE 3/8"TH 2 HUB 2" NPS 12" DIA
4 BOX PAPI A	1	AP1932G	1932G	ALE1932G	L-867B BASE PLATE 1/8"TH 1 HUB 2" NPS 12" DIA
	3	AP1832-2G	1832G/2	ALE1832G/2B	L-867B BASE PLATE 3/8"TH 2 HUB 2" NPS 12" DIA
2 BOX PAPI B NON-MONITORED	2	AP1832-2G	1832G/2	ALE1832G/2B	L-867B BASE PLATE 3/8"TH 2 HUB 2" NPS 12" DIA
4 BOX PAPI B NON-MONITORED	2	AP1832-2G	1832G/2	ALE1832G/2B	L-867B BASE PLATE 3/8"TH 2 HUB 2" NPS 12" DIA
	2	AP1832-3G	1832G/3	N/A	L-867B BASE PLATE 3/8"TH 3 HUB 2" NPS 12" DIA
2 BOX PAPI B REDUNDANT	2	AP1832-2RG	N/A	N/A	L-867B BASE PLATE 3/8"TH 2 HUB 2" NPS 12" DIA 1.25 THRU REDUNDANT
4 BOX PAPI B REDUNDANT	2	AP1832-2RG	N/A	N/A	L-867B BASE PLATE 3/8"TH 2 HUB 2" NPS 12" DIA 1.25 THRU REDUNDANT
	2	AP1832-3RG	N/A	N/A	L-867B BASE PLATE 3/8"TH 3 HUB 2" NPS 12" DIA 1.25 THRU REDUNDANT
2 BOX PAPI B MONITORED	1	AP1832-2RG	N/A	N/A	L-867B BASE PLATE 3/8"TH 2 HUB 2" NPS 12" DIA 1.25 THRU REDUNDANT
	1	AP1832-2G	1832G/2	ALE1832G/2B	L-867B BASE PLATE 3/8"TH 2 HUB 2" NPS 12" DIA
4 BOX PAPI B MONITORED	1	AP1832-2G	1832G/2	ALE1832G/2B	L-867B BASE PLATE 3/8"TH 2 HUB 2" NPS 12" DIA
	1	AP1832-2RG	N/A	N/A	L-867B BASE PLATE 3/8"TH 2 HUB 2" NPS 12" DIA 1.25 THRU REDUNDANT
	2	AP1832-3G	1832G/3	N/A	L-867B BASE PLATE 3/8"TH 3 HUB 2" NPS 12" DIA

POSITION	PAPI A 2 BOX	PAPI A 4 BOX	PAPI B 2 BOX	PAPI B & R 4 BOX
BOX 1	2	2	2	2
BOX 2	1	2	2	3
BOX 3		2		3
BOX 4		1		2

NOTES:

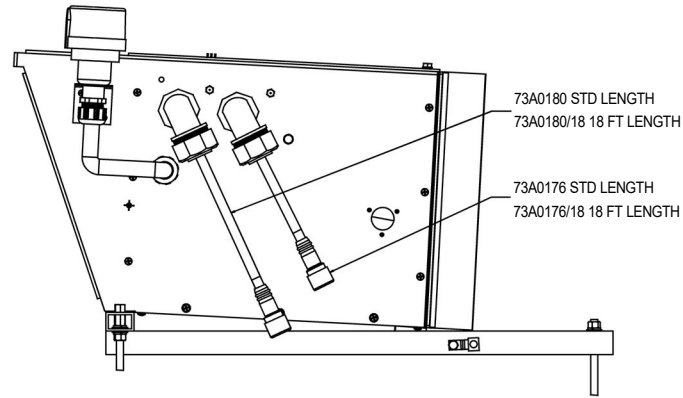
- 2 IN DIA EMT TUBING (2 3/16 OD) TO BE PROVIDED AND INSTALLED BY CONTRACTOR. LENGTH TO BE DETERMINED AT INSTALLATION TO ADJUST FOR UNEVEN TERRAIN AND TO MOUNT OPTICAL BOX AT CORRECT ELEVATION ABOVE THE RUNWAY. 2 IN EMT TUBE TO EXTEND 3 1/4" INTO FRANGIBLE COUPLING AND FULL INSERTION INTO COMPRESSION COUPLING TO ENSURE STABLE INSTALLATION. TUBE MUST BE PAINTED INTERNATIONAL ORANGE PER FED-STD-595, COLOR 12197 TO PROVIDE CORROSION PROTECTION.
- ITEMS PROVIDED WITH OPTICAL ENCLOSURE.
- FOR SERIES CIRCUIT (TYPE B) APPLICATIONS, HIGH VOLTAGE FIELD CABLES AND LOW VOLTAGE COMMUNICATION CABLES MUST HAVE SEPARATE CONDUIT RUNS. SEE 43A4151 FOR LED PAPI STYLE B EXTERNAL WIRING DIAGRAM.
- FOR VOLTAGE POWERED (TYPE A) APPLICATIONS, A SEPARATE HIGH VOLTAGE CONDUIT IS NOT REQUIRED.
- ITEMS SPECIFIED AS CONTRACTOR PROVIDED ARE AVAILABLE AS AN OPTION WHEN SPECIFYING THE TOP RPXXXXXXXXXXXX01 SYSTEM PART NUMBER.
- BASE PLATES ARE AVAILABLE AS OPTIONAL SALES ORDER LINE ITEM. BASE PLATES ARE MACHINED 2-11.5 NPS TO MATCH THE THREADS OF THE PROVIDED 62A0711 FRANGIBLE COUPLING.
- THE STANDARD CORD LENGTH IS 8 FT LONG WITH 7 FT EXTENDING OUTSIDE THE ENCLOSURE. FOR THE CANADIAN MARKET, OPTIONAL (10 FT LONGER) CORDS ARE AVAILABLE AS AN OPTION WHEN SPECIFYING THE TOP RPXXXXXXXXXXXX01 SYSTEM PART NUMBER.
- PAPI B REDUNDANT SYSTEM REQUIRES A 1.25" DIA THRU HOLE TO MOUNT THE EW00068-000-01 PARALLEL WYE CONNECTOR. THE BASE PLATES NOTED IN TABLE A FOR PAPI B REDUNDANT SYSTEMS HAVE THE REQUIRED 1.25" DIA THRU HOLE.

96A0446	LED PAPI MANUAL
117A0085	LED PAPI INSTALLATION OF FIELD CABLE - 2 BOX CURRENT
117A0086	LED PAPI INSTALLATION OF FIELD CABLE - 2 BOX VOLTAGE
117A0087	LED PAPI INSTALLATION OF FIELD CABLE - 4 BOX VOLTAGE
117A0088	LED PAPI INSTALLATION OF FIELD CABLE - 4 BOX CURRENT

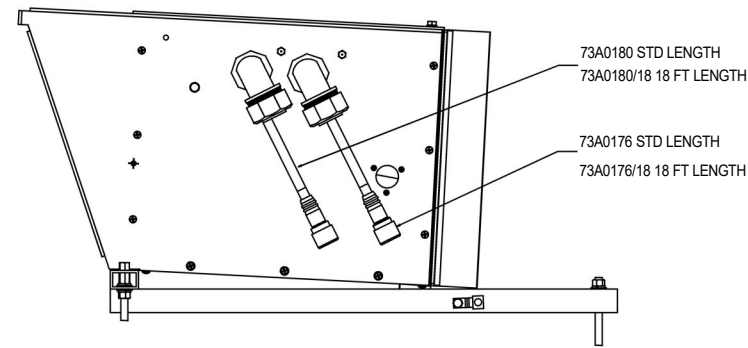
**CAUTION:**  
THIS DRAWING IS ONLY INTENDED FOR USE AS GENERAL AIRFIELD SYSTEM DESIGN GUIDANCE. THE DESIGNER MUST VERIFY DESIGN WITH LOCAL CODES AND VARYING CHARACTERISTICS FOR EACH UNIQUE AIRFIELD APPLICATION.

CONTROLLED COPY			
Unauthorized duplication of this document in whole or part is prohibited. Initialed in RED ink below indicates authorized copy.			
INITIAL & DATE:			
<b>ADB SAFEGATE</b>			
977 Gahanna Parkway, Columbus, Ohio 43230 Telephone: 614-861-1304, Fax: 614-864-2069			
DRAWING TITLE: LED PAPI STYLE A & STYLE B TYPICAL SYSTEM INSTALLATION DETAILS L-880 / L-881			
REV	ECO NUMBER	REVISION DESCRIPTION	REV BY DATE
E	ECP-2160	FURTHEST FROM WAS NEAREST TO	JEG 06JAN26
D	INC-632	ADD OPTIC CENTER LINE	NRJ 14FEB22
C	---	REMOVE PREVIOUS REV SHEETS	DLR 29JUL21
B	---	PRODUCTION RELEASE	DLR 1 JUN 21
A	---	PRODUCTION RELEASE	DLR 28JAN21
ASSOCIATED DRAWINGS:	DRAWN BY:	DRAWN DATE:	
	D RUFFINI	21 JAN 2021	
All information contained herein, including illustrations, specifications, and dimensions, is believed to be reliable as of the date of this publication, but is subject to change without notice. ADB reserves the right to make changes and improvements to its products and assumes no responsibility for these modifications. Any disclosure of this information is strictly prohibited except as ADB Airfield Solutions, Inc. may otherwise agree to in writing. Copyright © 2012 ADB Airfield Solutions, Inc.			
DRAWING NUMBER: <b>DA00026-XXX-01</b>			REV: <b>E</b>
SHEET NUMBER: 1 of 6			

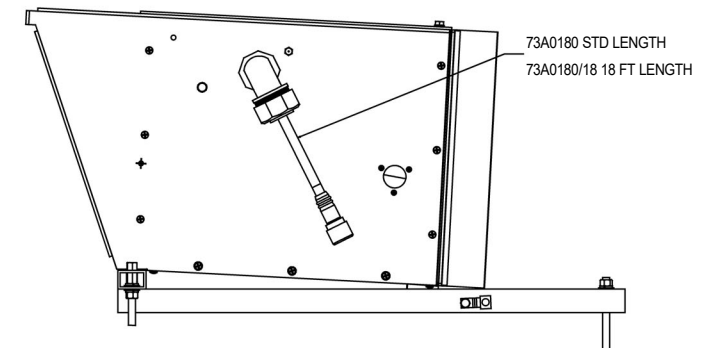
PAPI A ENCLOSURE CONFIGURATION



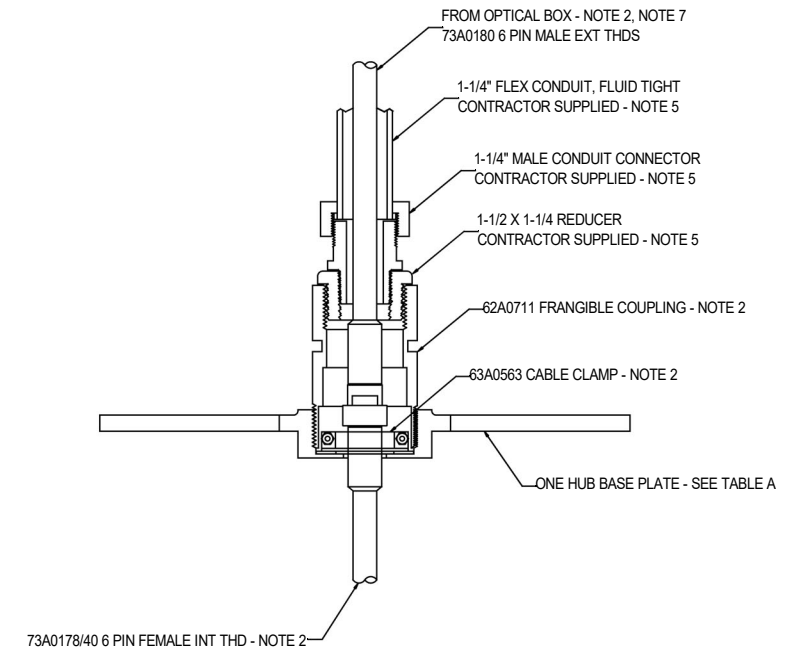
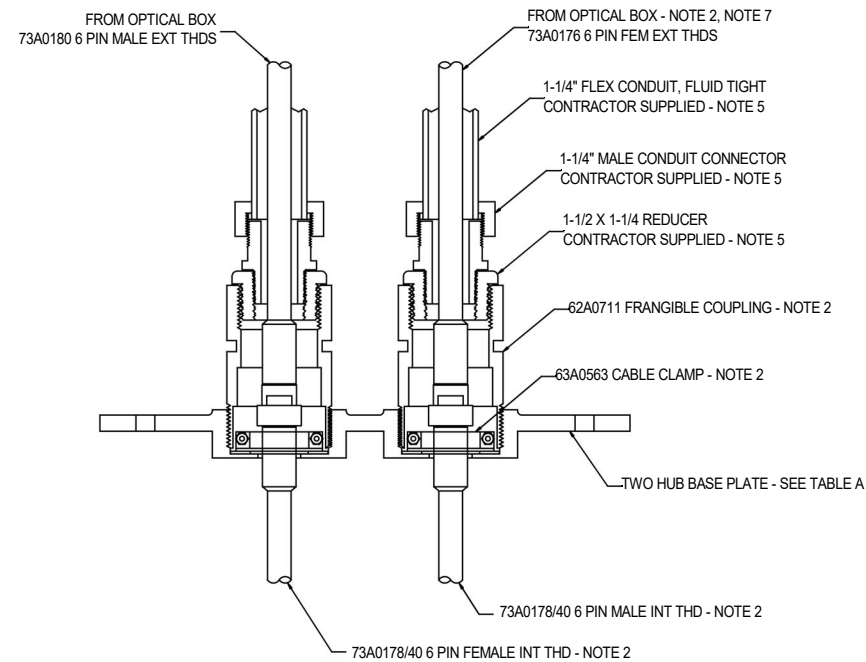
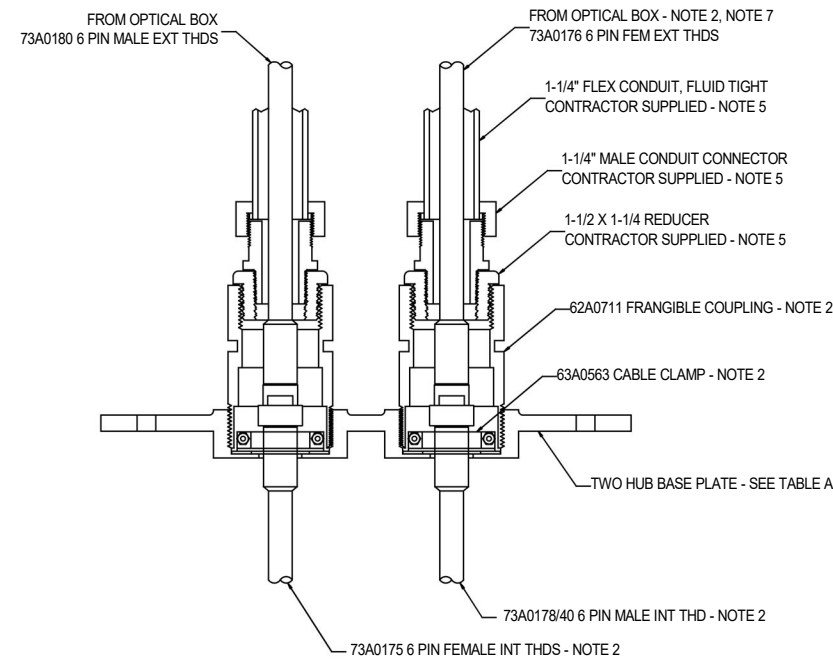
PAPI A PRIMARY  
BOX 1



PAPI A SECONDARY  
BOX 2 AND 3 OF 4

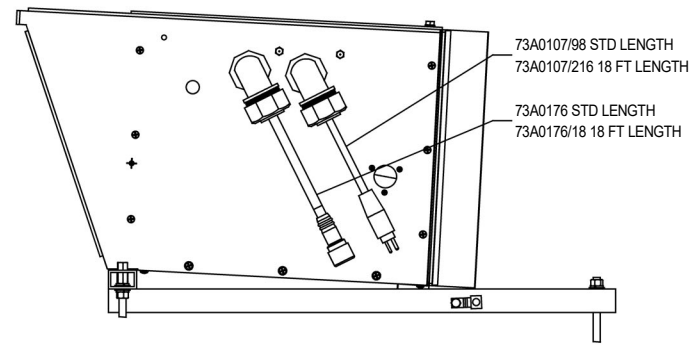


PAPI A SECONDARY  
BOX 2 OF 2 AND BOX 4 OF 4

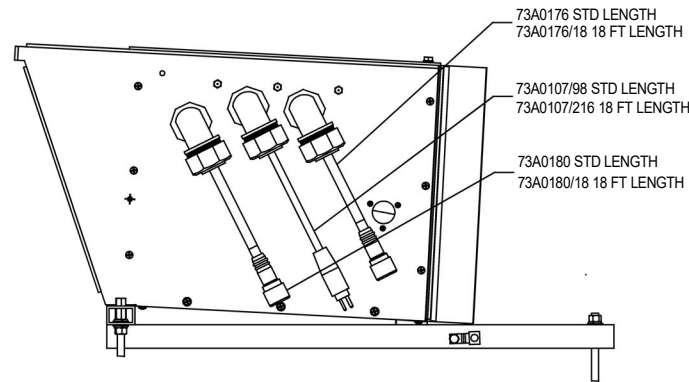


CONTROLLED COPY					
Unauthorized duplication of this document in whole or part is prohibited. Initialed in RED ink below indicates authorized copy.					
INITIAL & DATE:					
<b>ADB SAFEGATE</b>					
977 Gahanna Parkway, Columbus, Ohio 43230 Telephone: 614-861-1304, Fax: 614-864-2069					
DRAWING TITLE: LED PAPI STYLE A & STYLE B TYPICAL SYSTEM INSTALLATION DETAILS L-880 / L-881					
REV LEVEL	ECO NUMBER	REVISION DESCRIPTION	DRAWN BY	REV DATE	
E	ECP-2160	FURTHEST FROM WAS NEAREST TO	JEG	06JAN26	
D	INC-632	ADD OPTIC CENTER LINE	NRJ	14FEB22	
C	---	REMOVE PREVIOUS REV SHEETS	DLR	29JUL21	
B	---	PRODUCTION RELEASE	DLR	1 JUN 21	
A	----	PRODUCTION RELEASE	DLR	28JAN21	
ASSOCIATED DRAWINGS:			DRAWN BY:	DRAWN DATE:	
			D RUFFINI	21 JAN 2021	
All information contained herein, including illustrations, specifications, and dimensions, is believed to be reliable as of the date of this publication, but is subject to change without notice. ADB reserves the right to make changes and improvements to its products and assumes no responsibility for these modifications. Any disclosure of this information is strictly prohibited except as ADB Airfield Solutions, Inc. may otherwise agree to in writing. Copyright © 2012 ADB Airfield Solutions, Inc.					
DRAWING NUMBER: DA00026-XXX-01					REV: E
SHEET NUMBER: 2 of 6					

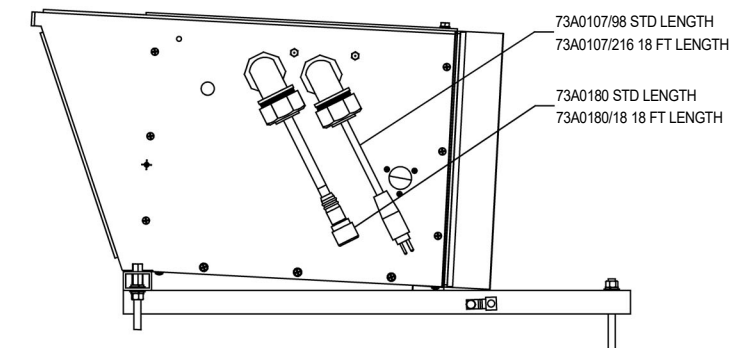
PAPI B ENCLOSURE CONFIGURATION



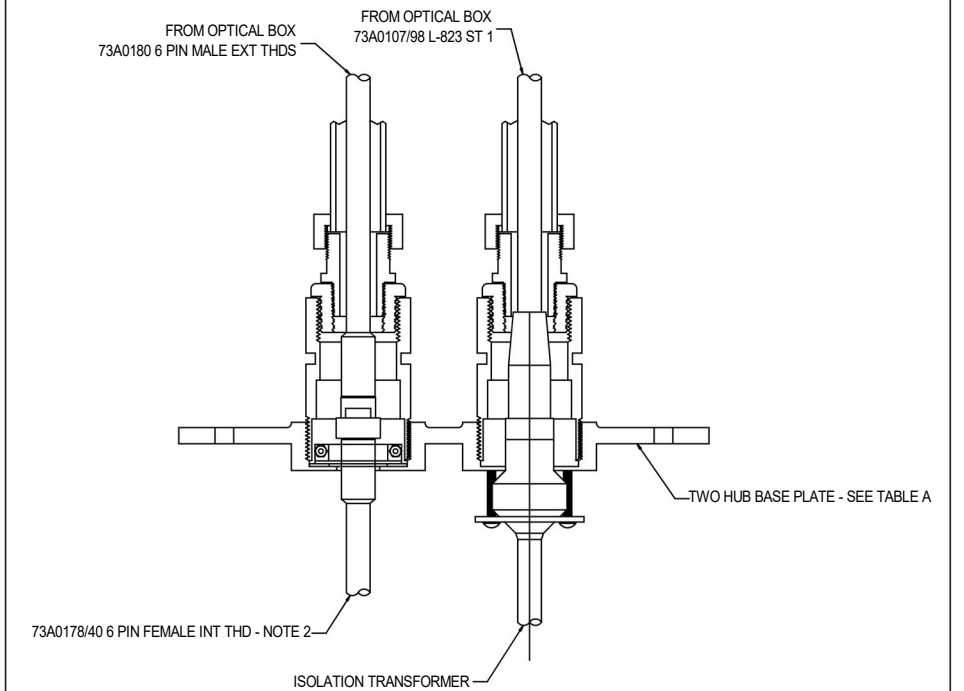
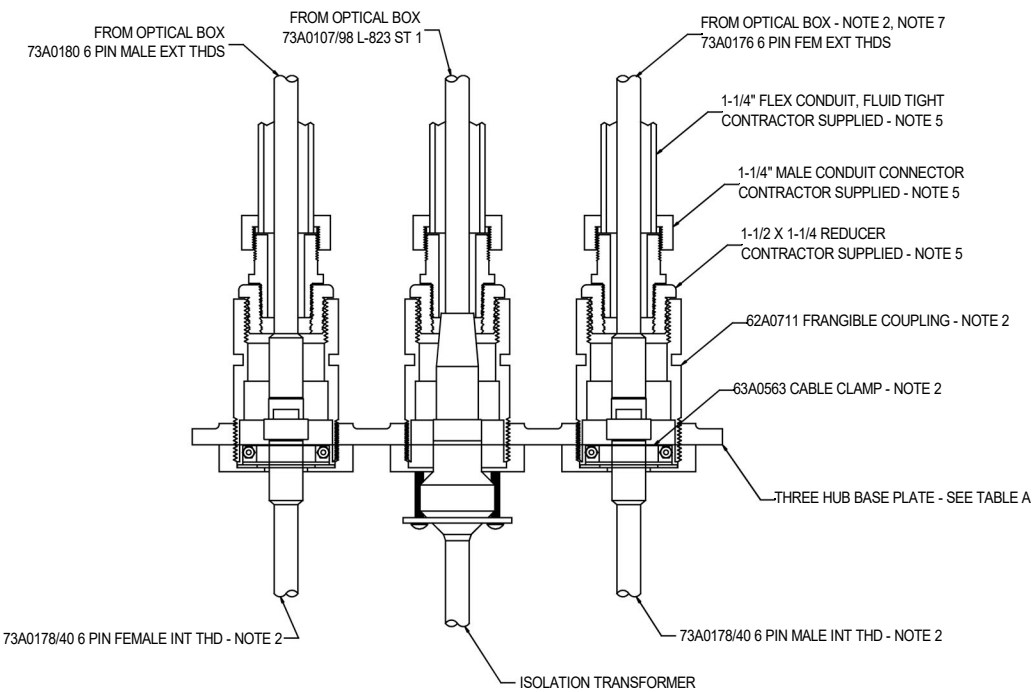
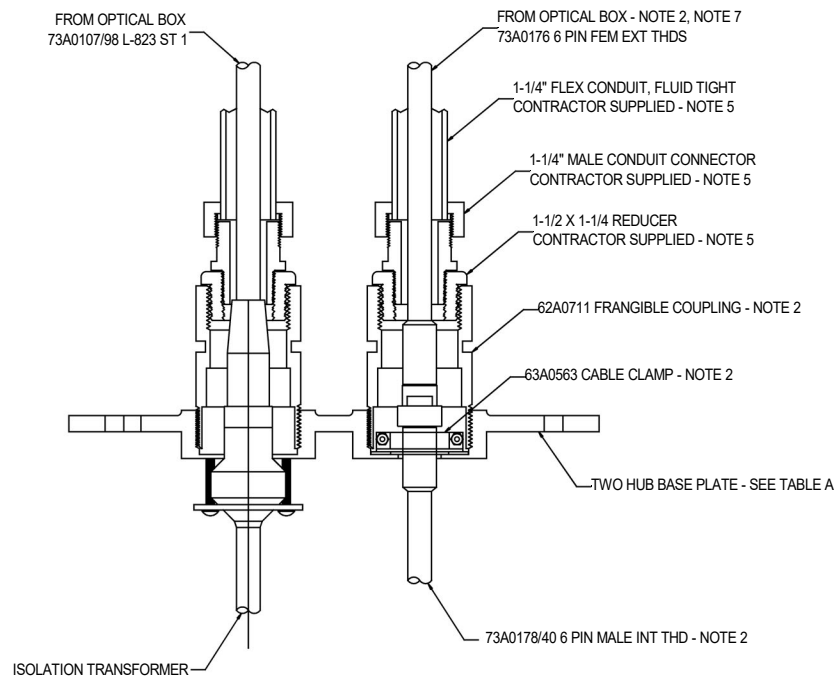
PAPI B PRIMARY  
BOX 1  
NON-MONITORED



PAPI B SECONDARY  
BOX 2 AND 3 OF 4  
MONITORED AND NON-MONITORED

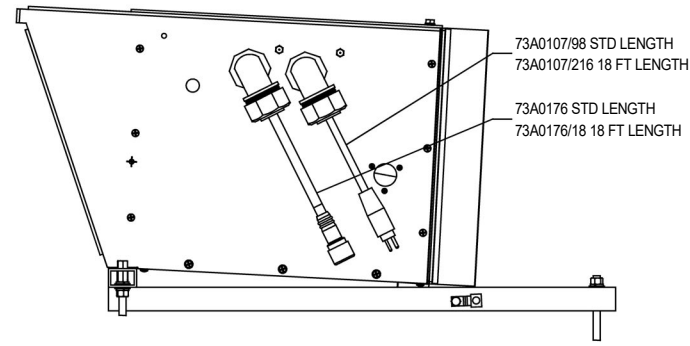


PAPI B SECONDARY  
BOX 2 OF 2 AND BOX 4 OF 4  
MONITORED AND NON-MONITORED

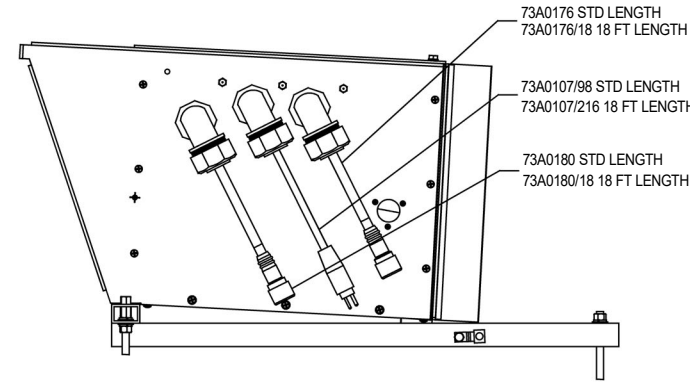


CONTROLLED COPY					
Unauthorized duplication of this document in whole or part is prohibited. Initialed in RED ink below indicates authorized copy.					
INITIAL & DATE:					
<b>ADB SAFEGATE</b>					
977 Gahanna Parkway, Columbus, Ohio 43230 Telephone: 614-861-1304, Fax: 614-864-2069					
DRAWING TITLE: LED PAPI STYLE A & STYLE B TYPICAL SYSTEM INSTALLATION DETAILS L-880 / L-881					
REV	ECO NUMBER	REVISION DESCRIPTION	DRAWN BY	REV DATE	
E	ECP-2160	FURTHEST FROM WAS NEAREST TO	JEG	06JAN26	
D	INC-632	ADD OPTIC CENTER LINE	NRJ	14FEB22	
C	---	REMOVE PREVIOUS REV SHEETS	DLR	29JUL21	
B	---	PRODUCTION RELEASE	DLR	1 JUN 21	
A	----	PRODUCTION RELEASE	DLR	28JAN21	
ASSOCIATED DRAWINGS:	DRAWN BY:	DRAWN DATE:			
	D RUFFINI	21 JAN 2021			
All information contained herein, including illustrations, specifications, and dimensions, is believed to be reliable as of the date of this publication, but is subject to change without notice. ADB reserves the right to make changes and improvements to its products and assumes no responsibility for these modifications. Any disclosure of this information is strictly prohibited except as ADB Airfield Solutions, Inc. may otherwise agree to in writing. Copyright © 2012 ADB Airfield Solutions, Inc.					
DRAWING NUMBER: DA00026-XXX-01				SHEET NUMBER: 3 of 6	
					REV: E

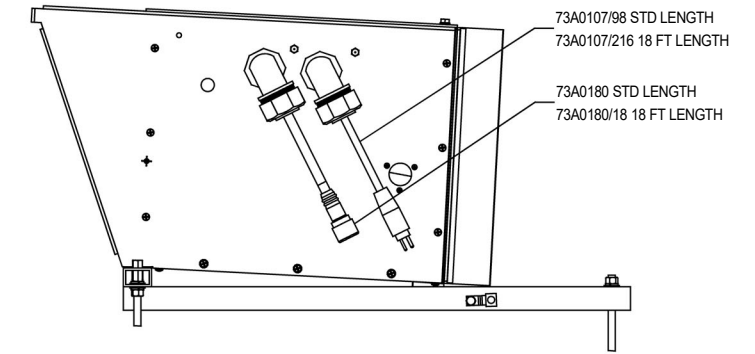
PAPI B REDUNDANT ENCLOSURE CONFIGURATION



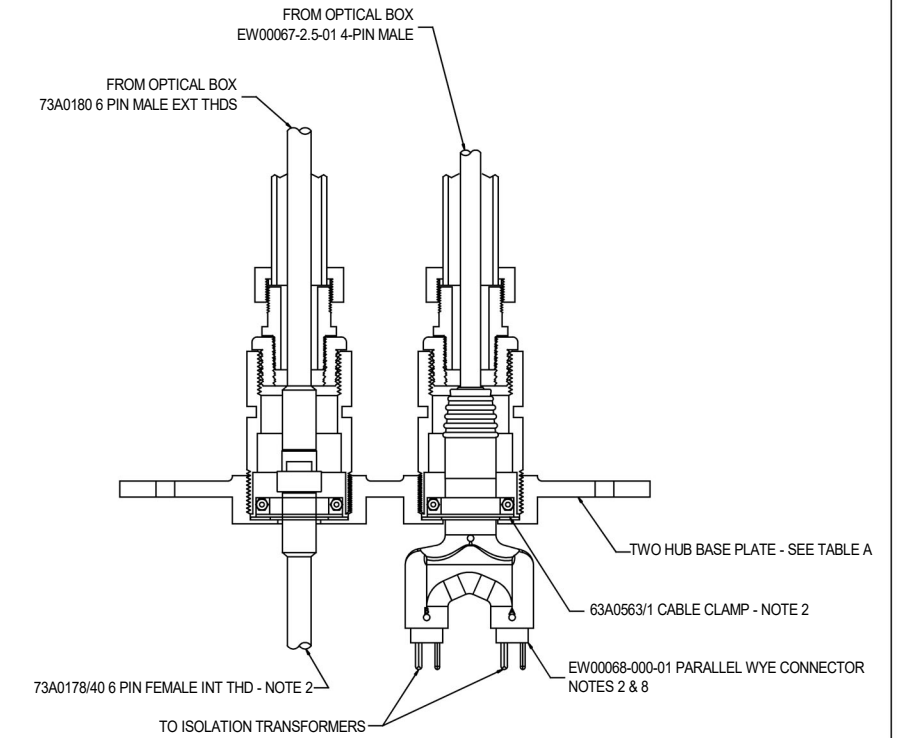
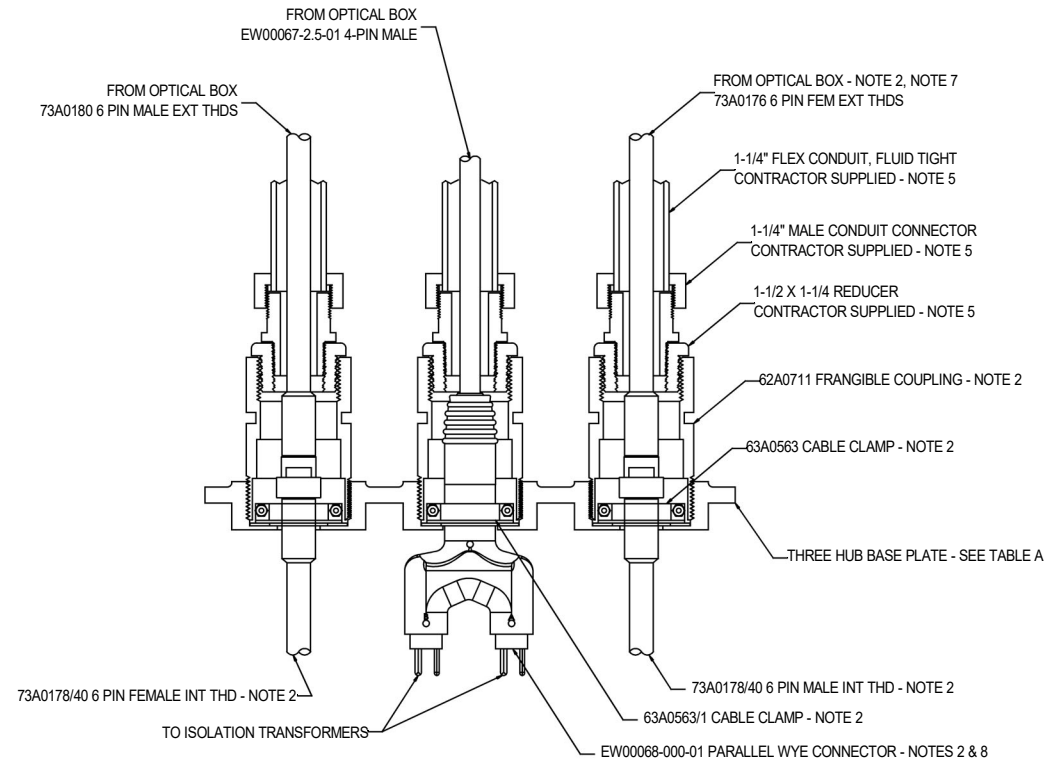
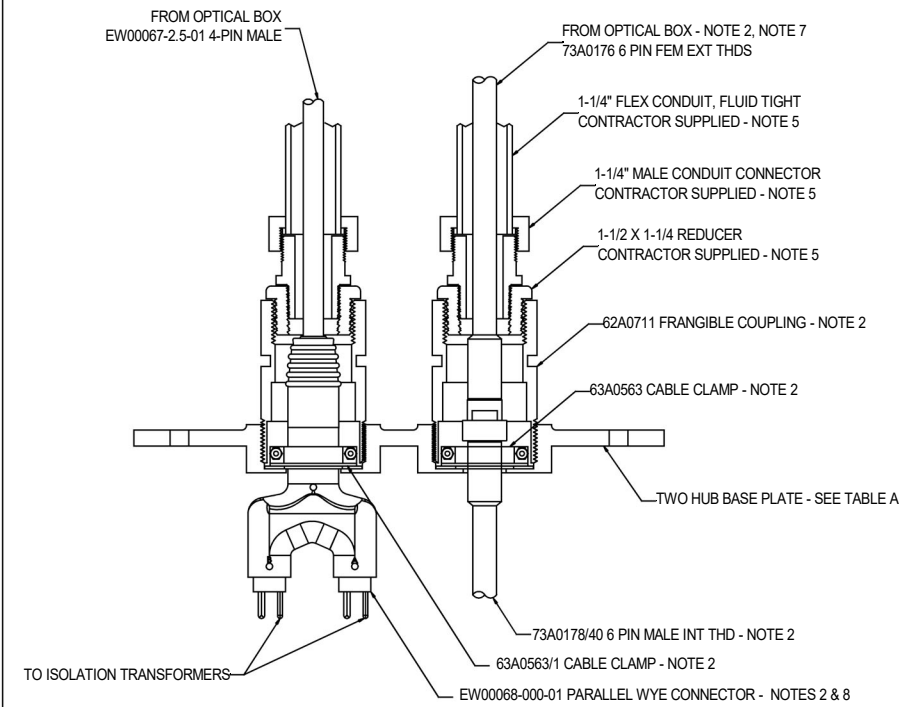
PAPI B PRIMARY  
BOX 1  
REDUNDANT OR MONITORED



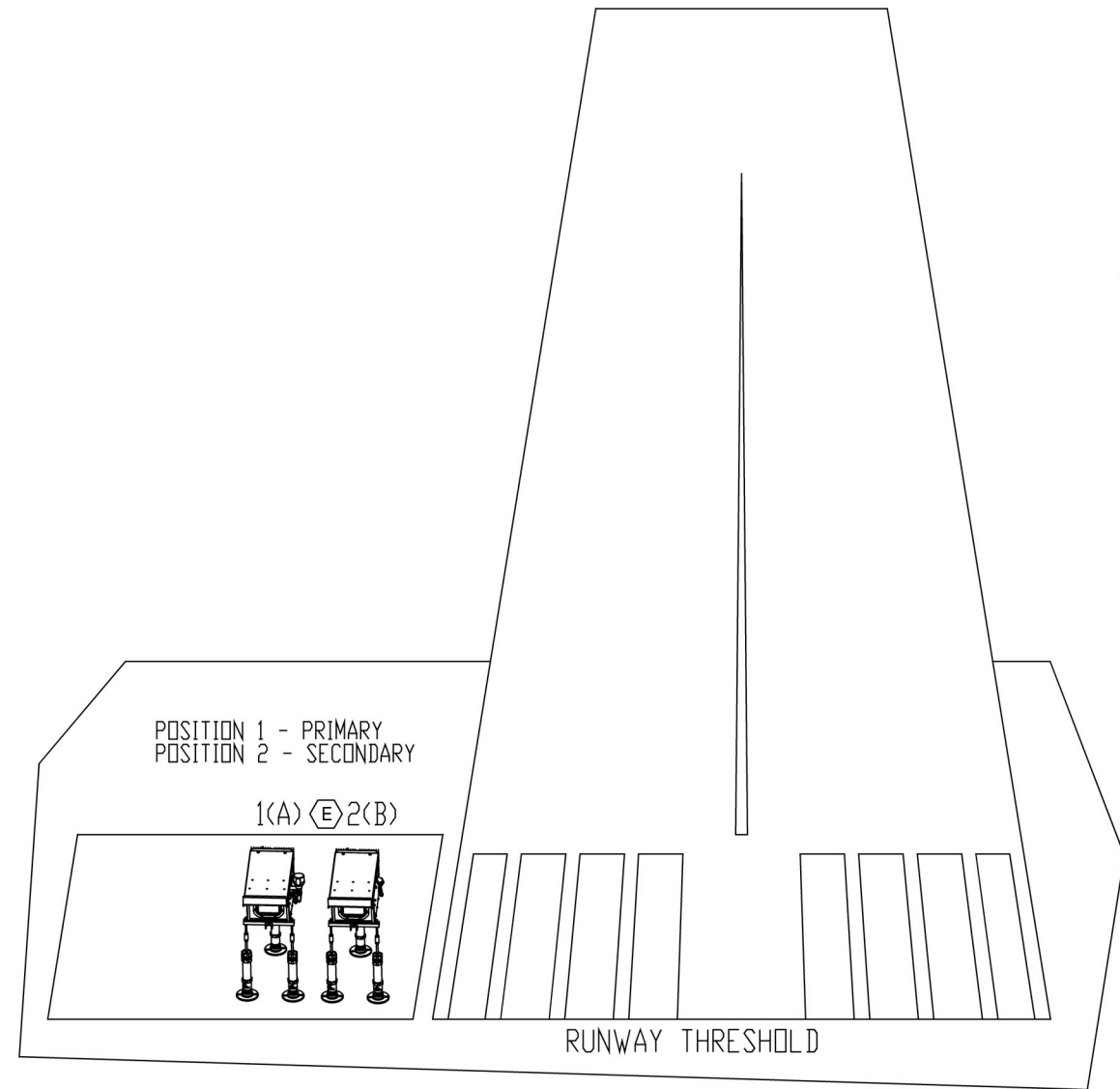
PAPI B SECONDARY  
BOX 2 AND 3 OF 4  
REDUNDANT



PAPI B SECONDARY  
BOX 2 OF 2 AND BOX 4 OF 4  
REDUNDANT



CONTROLLED COPY					
Unauthorized duplication of this document in whole or part is prohibited. Initialed in RED ink below indicates authorized copy.					
INITIAL & DATE:					
<b>ADB SAFEGATE</b>					
977 Gahanna Parkway, Columbus, Ohio 43230 Telephone: 614-861-1304, Fax: 614-864-2069					
DRAWING TITLE: LED PAPI STYLE A & STYLE B TYPICAL SYSTEM INSTALLATION DETAILS L-880 / L-881					
REV	ECO NUMBER	REVISION DESCRIPTION	DRAWN BY	REV DATE	
E	ECP-2160	FURTHEST FROM WAS NEAREST TO	JEG	06JAN26	
D	INC-632	ADD OPTIC CENTER LINE	NRJ	14FEB22	
C	---	REMOVE PREVIOUS REV SHEETS	DLR	29JUL21	
B	---	PRODUCTION RELEASE	DLR	1 JUN 21	
A	----	PRODUCTION RELEASE	DLR	28JAN21	
ASSOCIATED DRAWINGS:		DRAWN BY:	DRAWN DATE:		
		D RUFFINI	21 JAN 2021		
All information contained herein, including illustrations, specifications, and dimensions, is believed to be reliable as of the date of this publication, but is subject to change without notice. ADB reserves the right to make changes and improvements to its products and assumes no responsibility for these modifications. Any disclosure of this information is strictly prohibited except as ADB Airfield Solutions, Inc. may otherwise agree to in writing. Copyright © 2012 ADB Airfield Solutions, Inc.					
DRAWING NUMBER: <b>DA00026-XXX-01</b>				SHEET NUMBER: 4 of 6	
					REV: <b>E</b>

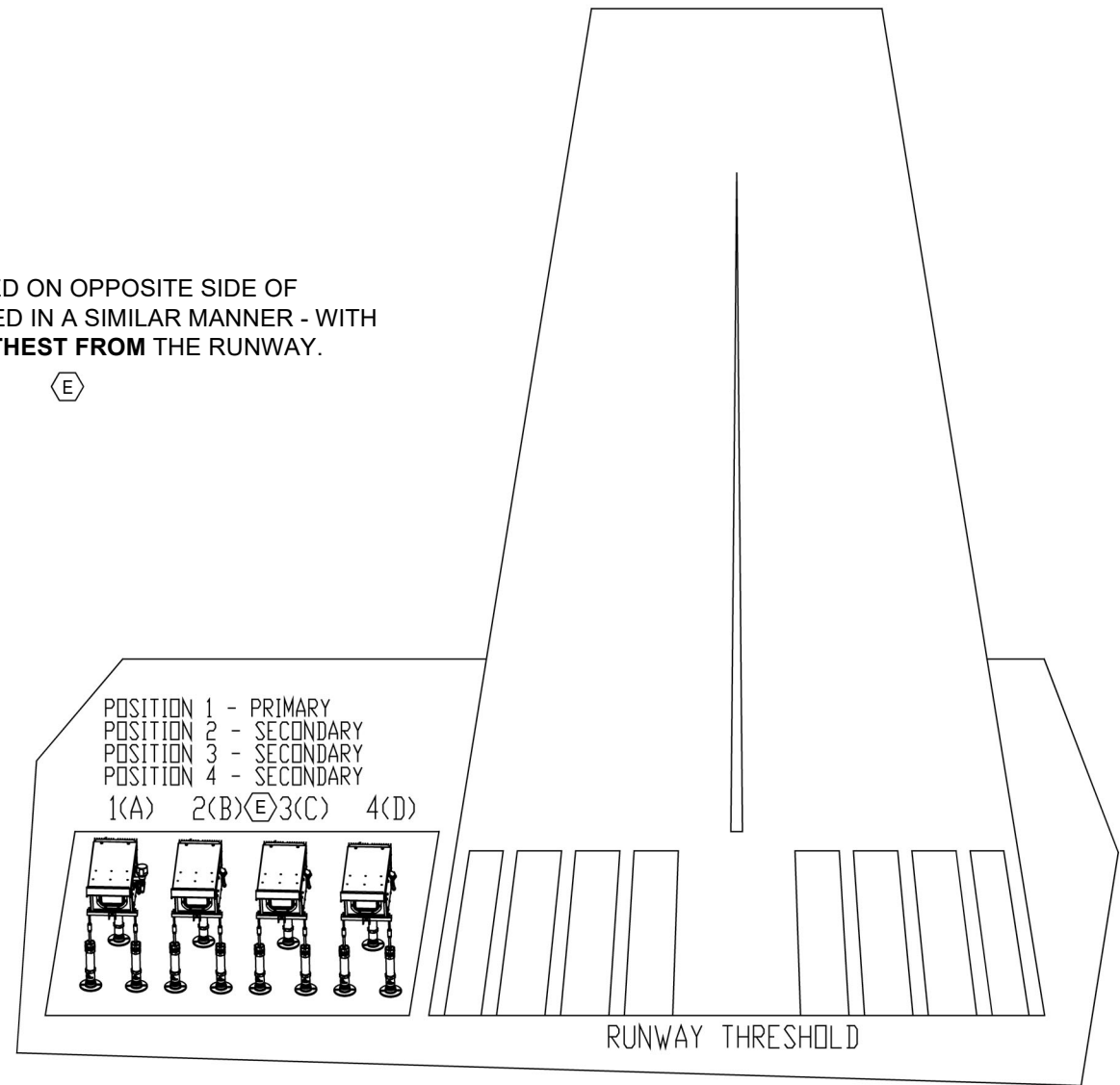


W R  
ON PATH INDICATION

FOR L881 TWO BOX SYSTEM

NOTE :  
ENCLOSURES INSTALLED ON OPPOSITE SIDE OF  
RUNWAY ARE NUMBERED IN A SIMILAR MANNER - WITH  
POSITION 1 BEING **FURTHEST FROM** THE RUNWAY.

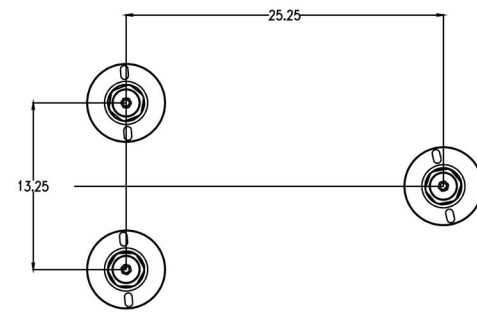
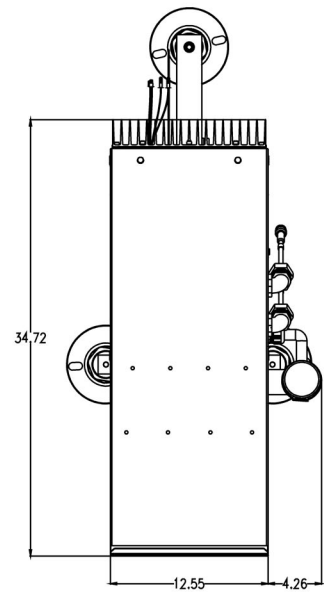
(E)



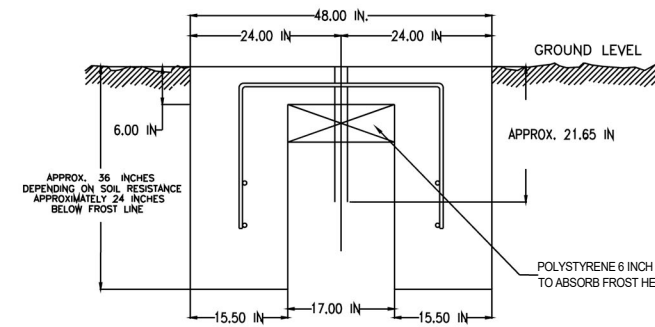
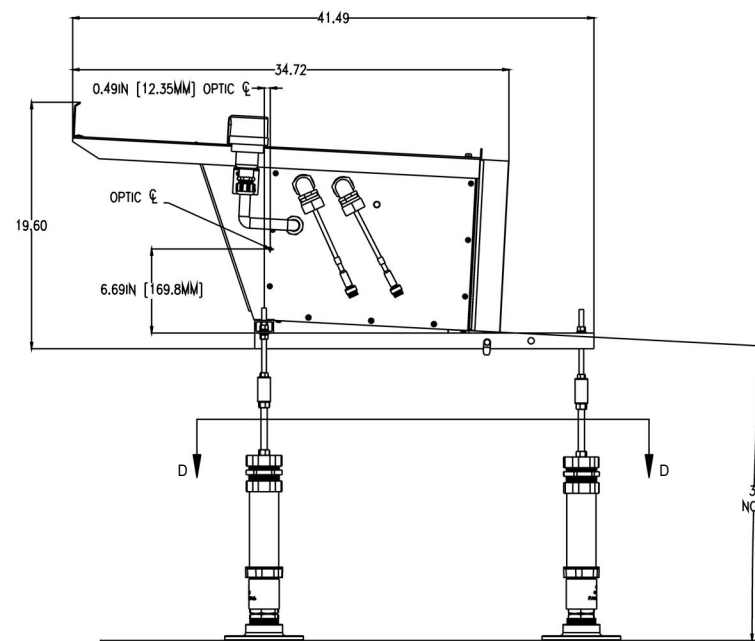
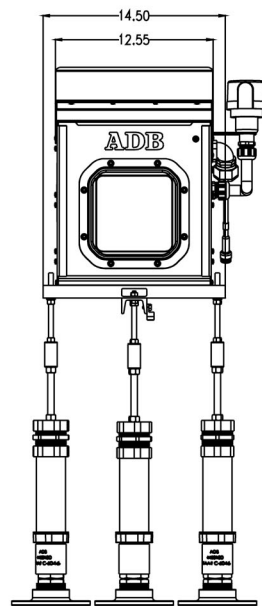
W W R R  
ON PATH INDICATION

FOR L880 FOUR BOX SYSTEM

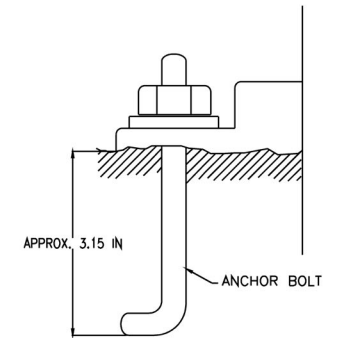
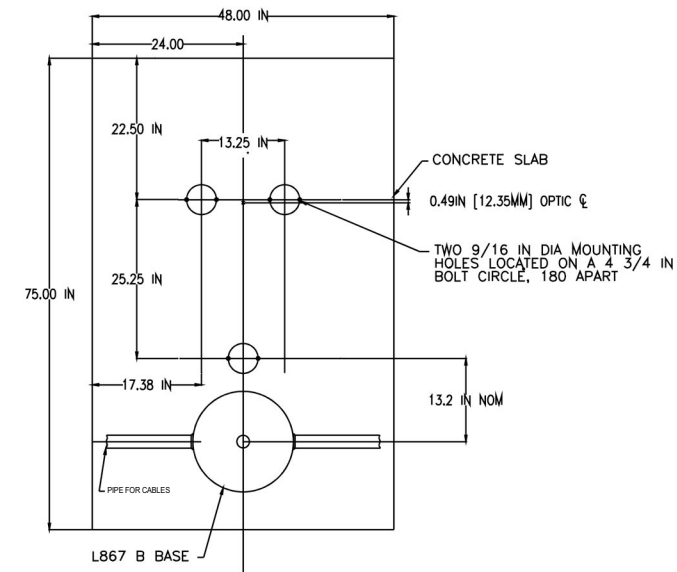
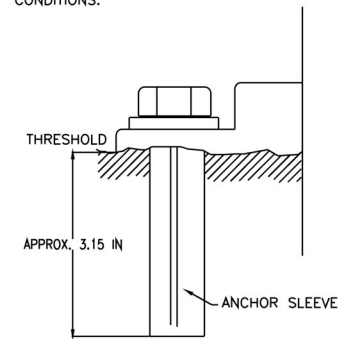
CONTROLLED COPY					
Unauthorized duplication of this document in whole or part is prohibited. Initialed in RED ink below indicates authorized copy.					
INITIAL & DATE:					
<b>ADB SAFEGATE</b>					
977 Gahanna Parkway, Columbus, Ohio 43230 Telephone: 614-861-1304, Fax: 614-864-2069					
DRAWING TITLE: LED PAPI STYLE A & STYLE B TYPICAL SYSTEM INSTALLATION DETAILS L-880 / L-881					
REV	ECO NUMBER	REVISION DESCRIPTION	DRAWN BY	REV DATE	
E	ECP-2160	FURTHEST FROM WAS NEAREST TO	JEG	06JAN26	
D	INC-632	ADD OPTIC CENTER LINE	NRJ	14FEB22	
C	---	REMOVE PREVIOUS REV SHEETS	DLR	29JUL21	
B	---	PRODUCTION RELEASE	DLR	1 JUN 21	
A	----	PRODUCTION RELEASE	DLR	28JAN21	
ASSOCIATED DRAWINGS:	DRAWN BY:	DRAWN DATE:			
	D RUFFINI	21 JAN 2021			
All information contained herein, including illustrations, specifications, and dimensions, is believed to be reliable as of the date of this publication, but is subject to change without notice. ADB reserves the right to make changes and improvements to its products and assumes no responsibility for these modifications. Any disclosure of this information is strictly prohibited except as ADB Airfield Solutions, Inc. may otherwise agree to in writing. Copyright © 2012 ADB Airfield Solutions, Inc.					
DRAWING NUMBER: DA00026-XXX-01					REV: E
SHEET NUMBER: 5 of 6					



SECTION D-D



NOTE:  
FOUNDATION DETAILS ARE GIVEN ONLY AS A GUIDE. THE APPROPRIATE DEPTH AND REINFORCEMENT OF THE PAD WILL DEPEND ON LOCAL SITE CONDITIONS.



FOOT FLANGE DETAIL

LED PAPI 3 LEG FOUNDATION DETAIL

CONTROLLED COPY					
Unauthorized duplication of this document in whole or part is prohibited. Initialed in RED ink below indicates authorized copy.					
INITIAL & DATE:					
<b>ADB SAFEGATE</b>					
977 Gahanna Parkway, Columbus, Ohio 43230 Telephone: 614-861-1304, Fax: 614-864-2069					
DRAWING TITLE: LED PAPI STYLE A & STYLE B TYPICAL SYSTEM INSTALLATION DETAILS L-880 / L-881					
REV	ECO NUMBER	REVISION DESCRIPTION	DRAWN BY	REV DATE	
E	ECP-2160	FURTHEST FROM WAS NEAREST TO	JEG	06JAN26	
D	INC-632	ADD OPTIC CENTER LINE	NRJ	14FEB22	
C	---	REMOVE PREVIOUS REV SHEETS	DLR	29JUL21	
B	---	PRODUCTION RELEASE	DLR	1 JUN 21	
A	----	PRODUCTION RELEASE	DLR	28JAN21	
REV LEVEL	ECO NUMBER	REVISION DESCRIPTION	DRAWN BY	REV DATE	
			D RUFFINI	21 JAN 2021	
ASSOCIATED DRAWINGS:					
All information contained herein, including illustrations, specifications, and dimensions, is believed to be reliable as of the date of this publication, but is subject to change without notice. ADB reserves the right to make changes and improvements to its products and assumes no responsibility for these modifications. Any disclosure of this information is strictly prohibited except as ADB Airfield Solutions, Inc. may otherwise agree to in writing. Copyright © 2012 ADB Airfield Solutions, Inc.					
DRAWING NUMBER:				SHEET NUMBER:	REV:
DA00026-XXX-01				6 of 6	E