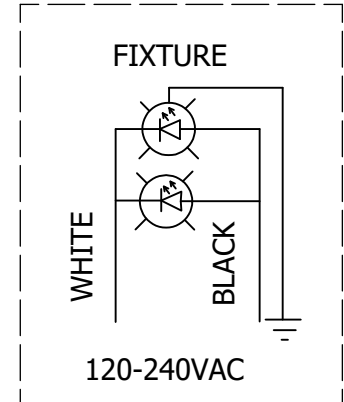
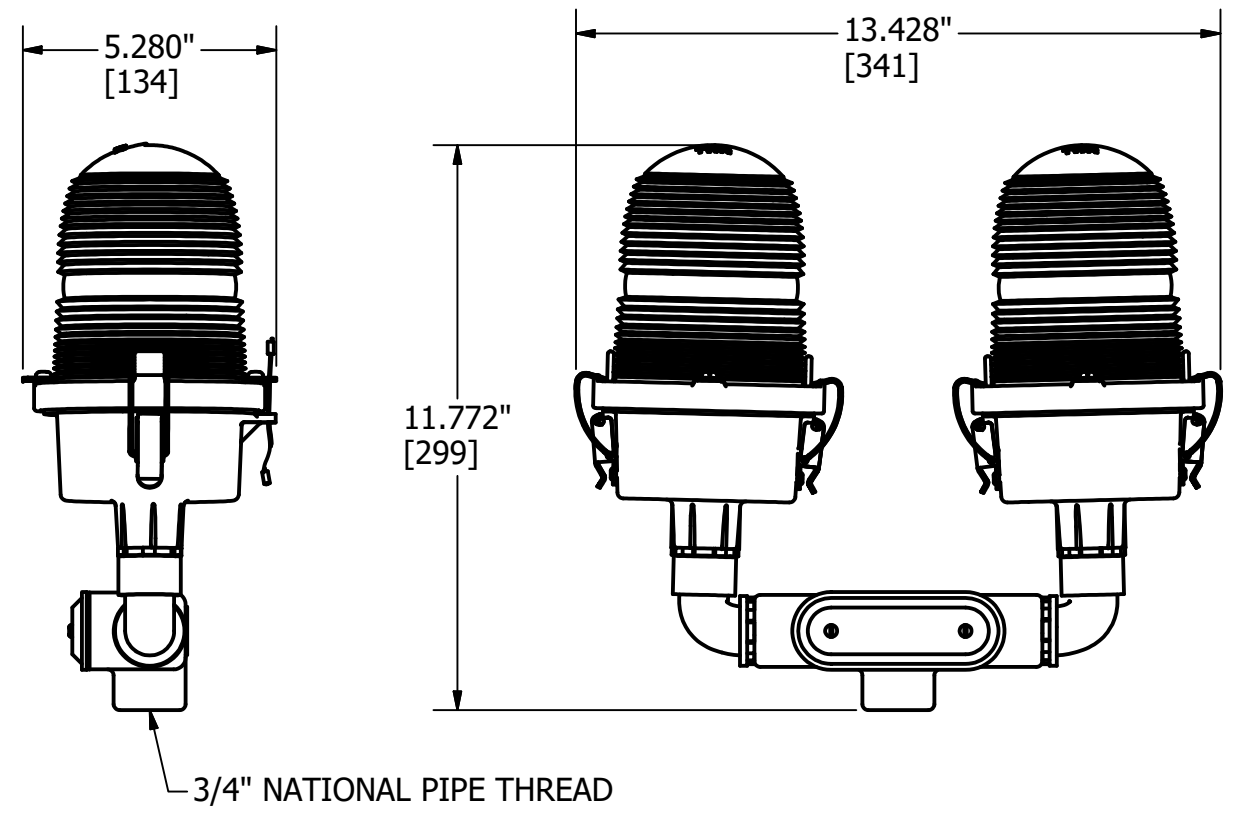


Parts List			
ITEM	QTY	STOCK NUMBER	DESCRIPTION
1	1	T27CG	T27 CONDULET W/COVER & GSKT
2	2	34CLNP	3/4" GALV CLOSE NIPPLE
3	2	EL3490	3/4" 90 DEGREE SHORT ELBOW GALV
4	5	A314	3/4" CONDUIT LOCKNUT GALV.
5	1	100680	OL1/2 LED SERIAL # LABEL
6	2	OL1VBH34LED2	FAA OL16LED 120/240VAC VALOX (OPTION)
6	2	OL1CBH34LED2-IR	FAA OL16LED IR 120/240VAC VALOX (OPTION)



\* GROUND WIRE MUST BE CONNECTED TO PROPERLY PROTECT POWER SUPPLY. FAILURE TO GROUND WILL VOID ALL WARRANTIES.

<b>OL2VLED2-IR 120-240VAC VALOX HOUSING (L810 DOUBLE OBSTRUCTION LIGHT)</b>			
PROD DEPT			
SERV DEPT			
ENGINEER			
DRAWN BY	G.SEBEK	SHEET SIZE	B
DATE	06/09/2005	SCALE	N.T.S
		SHEET QTY.	1 OF 1
		DWG. NO.	100658

REV	AUTHOR	DATE	DESCRIPTION
G	J.Z	09/26/2023	UPDATED BOM

The use of non-OEM parts or modifications to original equipment design will void the manufacturer warranty and could invalidate the assurance of complying with FAA requirements as published in Advisory Circular 150/5345-43. NOTICE: The drawings and photographic images contained herein are the sole property of TWR Lighting, Inc. All information contained herein that is not generally known shall be considered confidential except to the extent the information has been previously established. The drawings and photographic images contained herein may not be reproduced, copied or used as the basis for manufacture or sale or promotion or any other purpose without the expressed written permission of TWR Lighting, Inc.