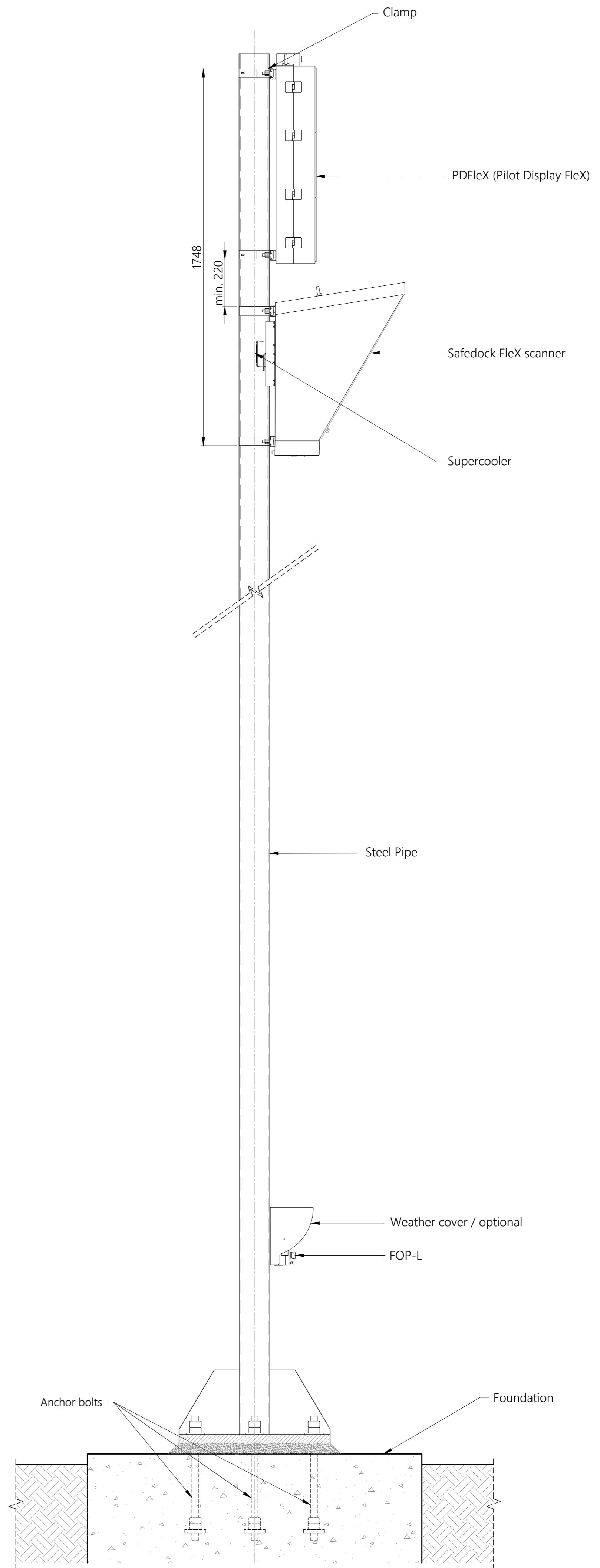


FRONT VIEW  
A-VDGS SAFEDOCK FLEX - POLE MOUNTING



SIDE VIEW  
A-VDGS SAFEDOCK FLEX - POLE MOUNTING

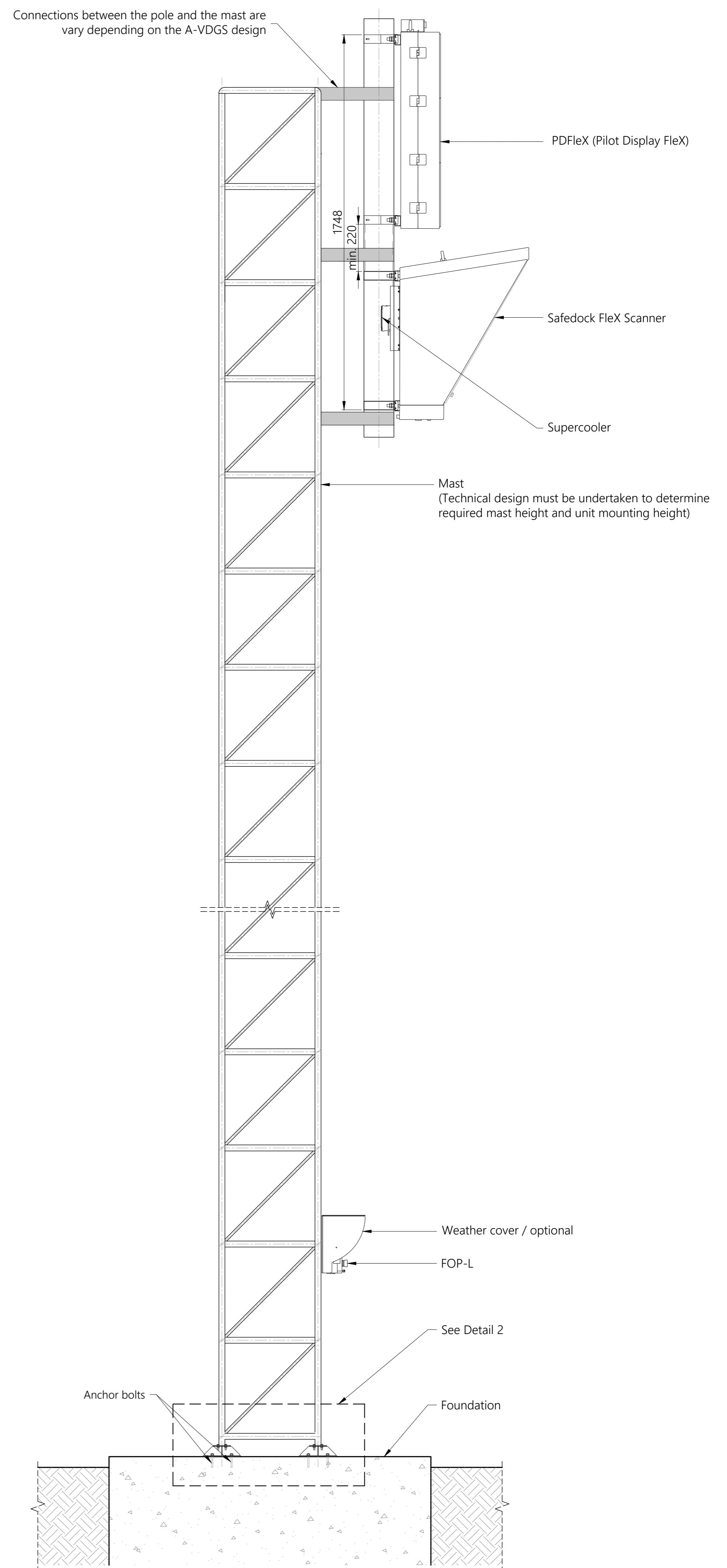
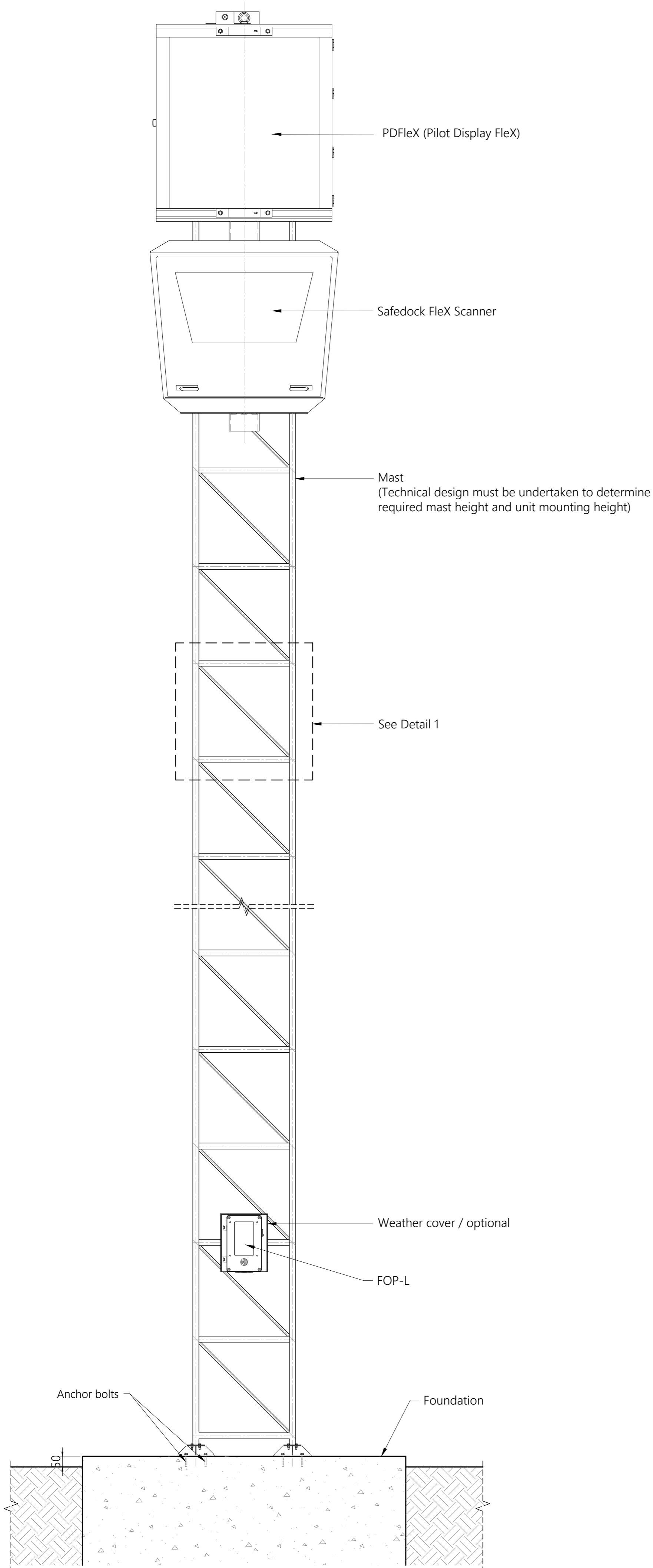
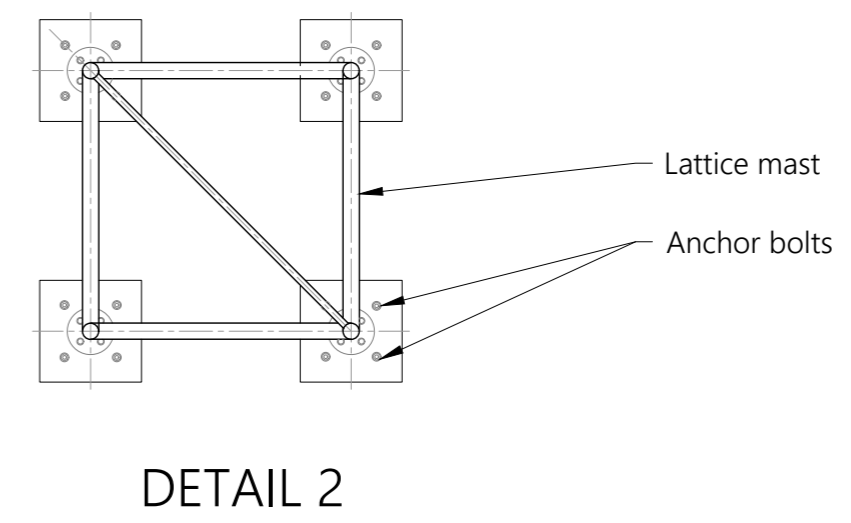
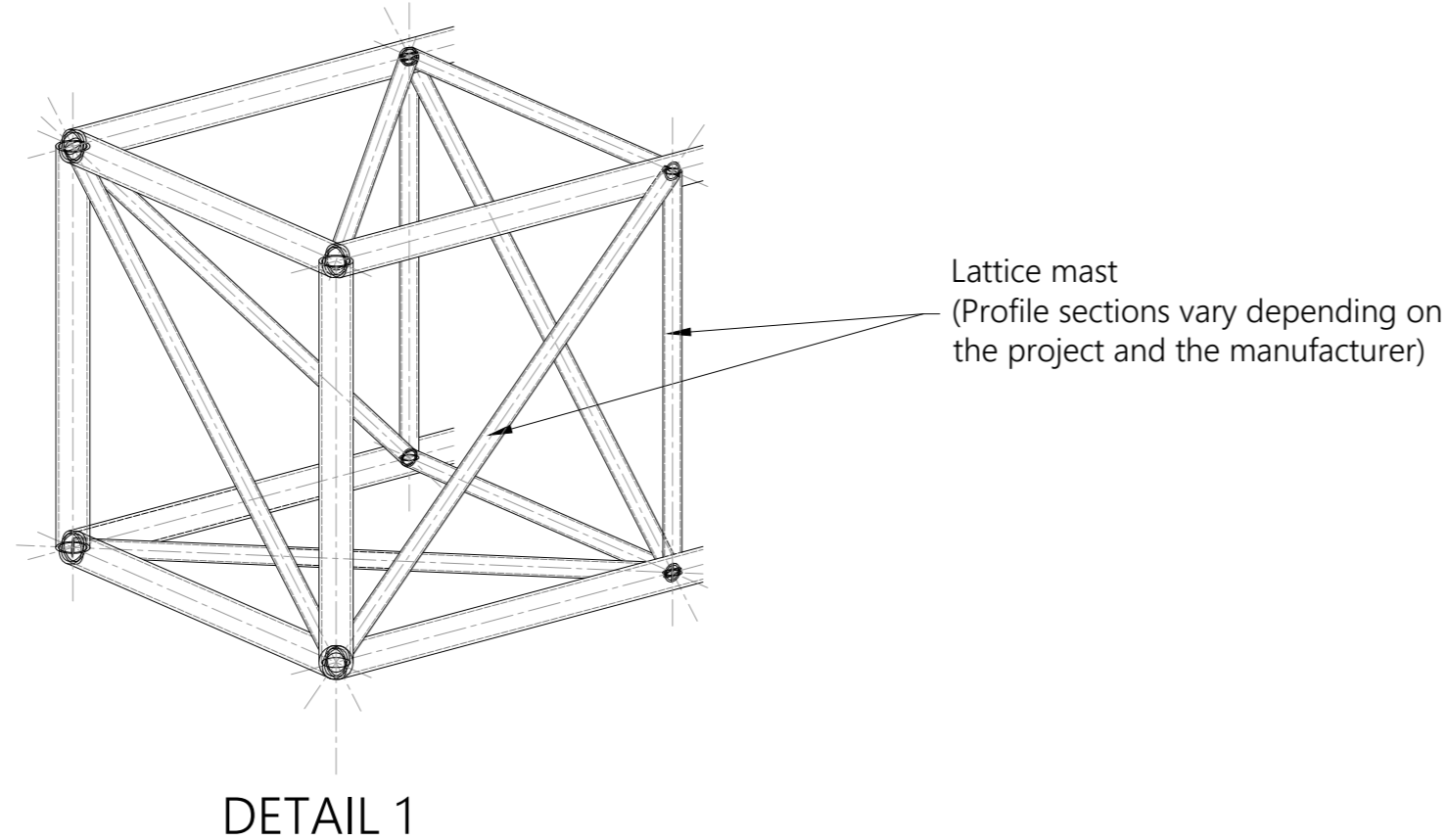
NOTES:  
 1. This drawing shows general installation details related to ADB Safegate products and is for information only, not for construction. The designer must verify compliance of design with local standards and varying characteristics for each unique airfield project.  
 2. Foundation types and dimensions shown are only indicative. Installation details may vary depending on project specific Foundation types and dimensions.  
 3. Please refer to product installation manual for installation process details.  
 4. ADB Safegate waives its liability for wrongful use of the information.  
 5. The steel pipe, foundation, weather cover and anchor bolts are not part of the Safedock portfolio.



ADVANCED VISUAL DOCKING GUIDANCE SYSTEM  
(A-VDGS)  
 SAFEDOCK FLEX-ON POLE  
 TYPICAL INSTALLATION DETAILS

SCALE: N/A  
 DRAWN BY: EK  
 DATE: 13/09/2023

UNIT: mm  
 CHECKED BY: TH  
 SHEET: 1-2  
 ADBSG\_G\_VDGS\_SAFEDOCK-FLEX\_01



○ FRONT VIEW  
A-VDGS SAFEDOCK FLEX - LATTICE MAST MOUNTING

○ SIDE VIEW  
A-VDGS SAFEDOCK FLEX - LATTICE MAST MOUNTING

NOTES:

1. This drawing shows general installation details related to ADB Safegate products and is for information only, not for construction. The designer must verify compliance of design with local standards and varying characteristics for each unique airfield project.
2. Foundation types and dimensions shown are only indicative. Installation details may vary depending on project specific Foundation types and dimensions.
3. Please refer to product installation manual for installation process details.
4. ADB Safegate waives its liability for wrongful use of the information.
5. The lattice mast, steel pipe, foundation, weather cover and anchor bolts are not part of the Safedock portfolio.



ADVANCED VISUAL DOCKING GUIDANCE SYSTEM  
(A-VDGS)

SAFEDOCK FLEX-ON MAST  
TYPICAL INSTALLATION DETAILS

SCALE: N/A  
DRAWN BY: EK  
DATE: 13/09/2023

UNIT: mm  
CHECKED BY: TH  
SHEET: 2-2

ADBSG\_G\_VDGS\_SAFEDOCK-FLEX\_01