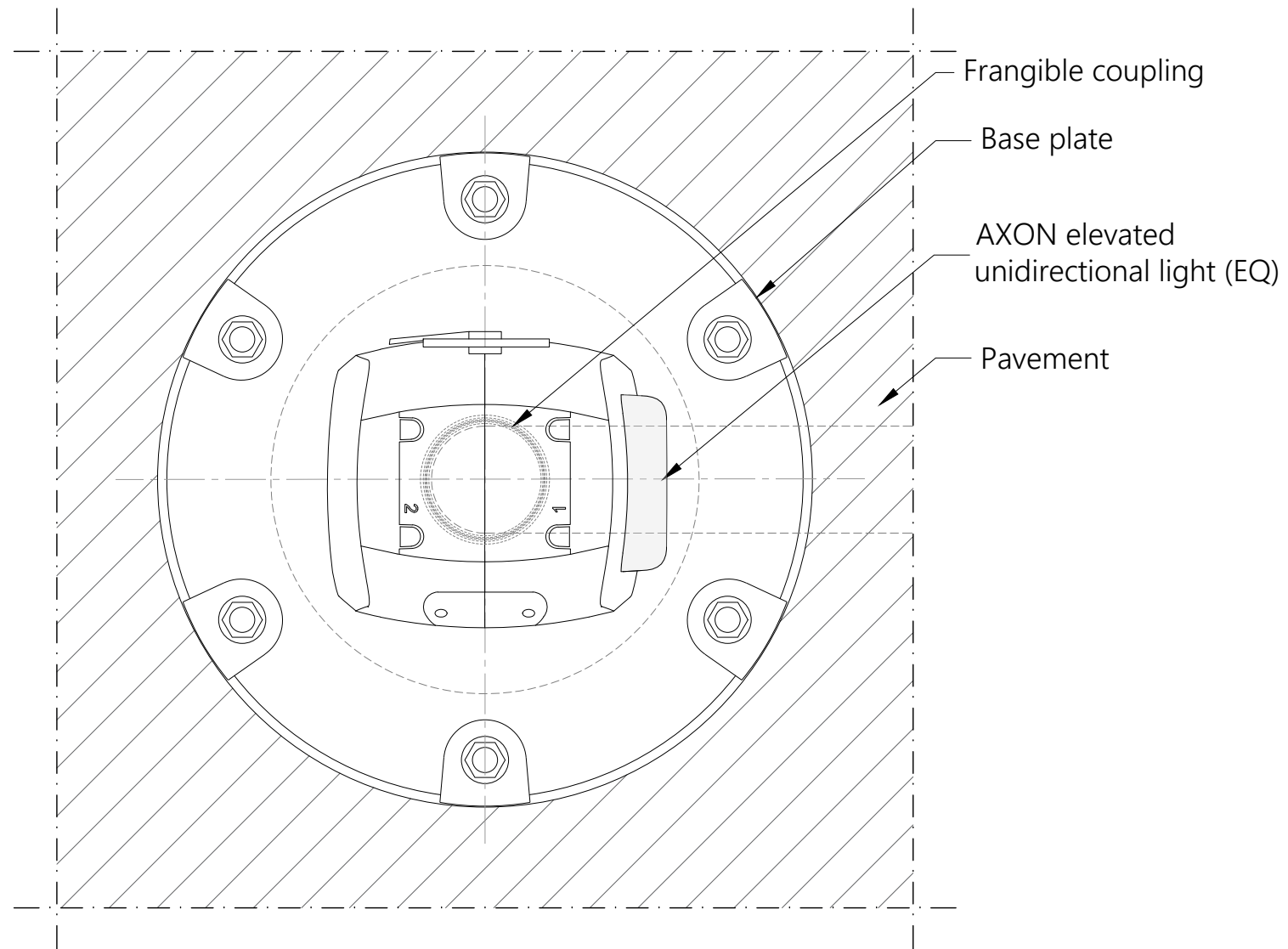


SECTION
 AXON UNIDIRECTIONAL ELEVATED LIGHT (EQ)
 Scale 1/5



TOP VIEW
 AXON UNIDIRECTIONAL ELEVATED LIGHT (EQ)
 Scale 1/3

NOTES:

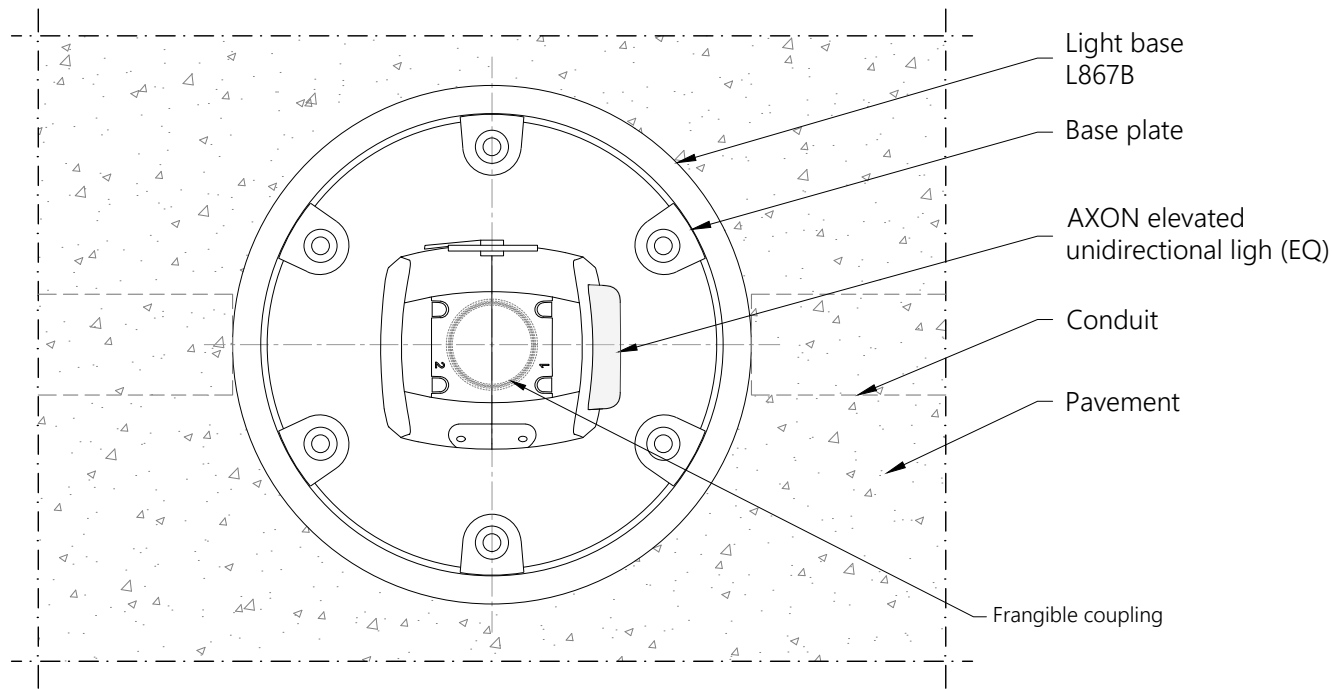
1. This drawing shows general installation details related to ADB Safegate products and is for information only, not for construction. The designer must verify compliance of design with local standards and varying characteristics for each unique airfield project.
2. Pavement types and dimensions shown are only indicative. Installation details may vary depending on project specific pavement types and dimensions.
3. Please refer to product installation manual for installation process details.
4. ADB Safegate waives its liability for wrongful use of the information.



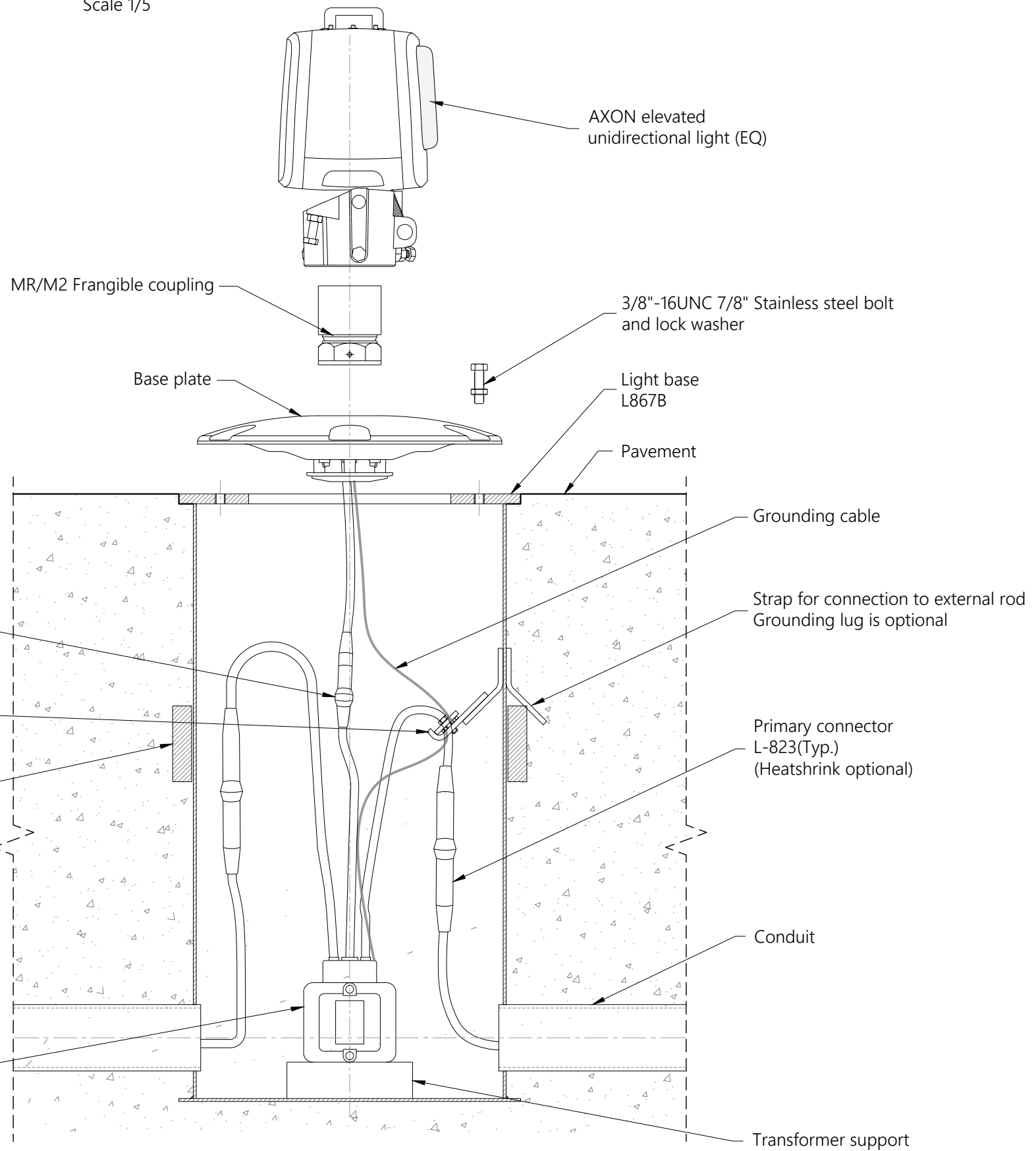
AXON LIGHT
 (EQ)
 ELEVATED UNIDIRECTIONAL
 TYPICAL INSTALLATION DETAILS

SCALE: AS SHOWN	UNIT: mm
DRAWN BY: SA	CHECKED BY: TH
DATE: 02/09/2025	SHEET: 1-2

ADBSG_A_AGL_AXON-E_EQ_Uni_00



TOP VIEW
AXON UNIDIRECTIONAL ELEVATED LIGHT (EQ)
Scale 1/5



1 PIECE L-867B BASE INSTALLATION
AXON UNIDIRECTIONAL ELEVATED LIGHT (EQ)
Scale 1/5

NOTES:

1. This drawing shows general installation details related to ADB Safegate products and is for information only, not for construction. The designer must verify compliance of design with local standards and varying characteristics for each unique airfield project.
2. Pavement types and dimensions shown are only indicative. Installation details may vary depending on project specific pavement types and dimensions.
3. Please refer to product installation manual for installation process details.
4. ADB Safegate waives its liability for wrongful use of the information.

	AXON LIGHT (EQ)	SCALE: AS SHOWN	UNIT: mm
	ELEVATED UNIDIRECTIONAL	DRAWN BY: SA	CHECKED BY: TH
	TYPICAL INSTALLATION DETAILS	DATE: 02/09/2025	SHEET: 2-2
ADBSG_A_AGL_AXON-E_EQ_Uni_00			