

# Installation & Mounting

## Eurobase/HPI

### Shallow bases and accessories

#### Compliance with Standards

**FAA:** Requirements of AC 150/5345 – 46 (and 42) for direct mounting of inset lights (class 1)

#### Uses

- Shallow bases are used to install inset lights in flexible and non-flexible pavements, by means of the glue-in method.
- The mounting accessories provide a user-friendly solution for an easy and foolproof installation

#### Features

- With the ADB inset light mounted on top, the base forms a mechanically solid system for both, runway and taxiway applications
- Withstands highest possible mechanical forces and stresses, often far in excess of standard requirements.
- Optimised thermal dissipation has a positive influence on the lifetime of the components of the fitting mounted on top.
- The depth of the shallow bases is the result of an optimum compromise between the fitting height and the thickness of most pavement constructions.
- Patented plug-in feed-through contact saves one secondary connector kit and reduces connection time shallow-base-to-circuit to a minimum.
- Multiple entry arrangement allows optimisation to site wiring system.
- Light weight eases handling in the field.
- No galvanic reactions. Made of the same durable aluminium alloy as the ADB inset lights.



- Can be obtained for various M10 and UNC fixing arrangement.
- Designed for shortest possible installation time.
- For use in wet or dry systems

#### Construction (Fig. 1)

The shallow base is a gravity-cast aluminium alloy base out of one piece. All bases are provided with earthing facility outside and inside. The standard availability is with either one or two side entries for the cable, via the ADB Safegate patented feed-through contact plugs integrated in the side wall of the base, or by means of compression glands. In the first case the base is equipped with 0,5 m long pigtail wires for an easy (crimping) connection to the wires in the saw cuts. For wet systems the central 100 mm hole in the bottom is another possibility. All bases are supplied with their fixing hardware: six M10 or UNC screws, or studs and self-locking nuts in case of 12” bases, two with 8” bases. In the latter case two anti-rotation pins prevent rotation and lift-off of the fitting when one of the bolts brakes off.

Upon request the hardware may be fitted into stainless steel helicoils.

Figure 1. Eurobase



# EUROBASE/HPI

## Installation

The base is sealed by means of an appropriate resin that maintains certain flexibility after having cured. A dedicated jig with sighting telescope allows for a correct positioning and levelling of the base with or without the light fitting mounted on top. The secondary wires between the light and the isolating transformer are installed in saw cuts in the pavement filled with resin. Secondary cabling can be run in conduits underneath the base.

In the latter case the base is open from the bottom and the plug(s) of the fitting is (are) directly connected to the secondary cable coming from the transformer

Figure 2. Installation of a 12" Eurobase

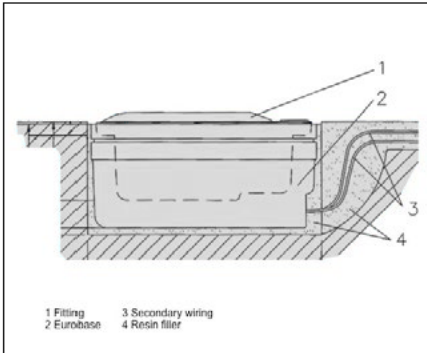
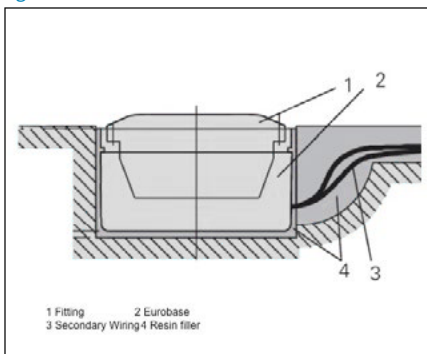


Figure 3. Installation of an 8" Eurobase



## Dimensions — Eurobase

Nominal diameter	Dimensions (mm)			
	A	B	C	h
8"	214	207	184	115
12"	318	306	286	150

## Weight and volume — Eurobase

The Eurobase is either packed individually or, for larger quantities, individually protected in larger cardboard boxes

Base type	Condition	Volume (mm)	Weight (kg)
8"	unpacked	dia 216×115	2,5
	packed per pce	225x225×120	2,8
12"	unpacked	dia 318×150	6,85
	packed per pce	350x350×170	7,35

Figure 4. Dimensions 12" Eurobase

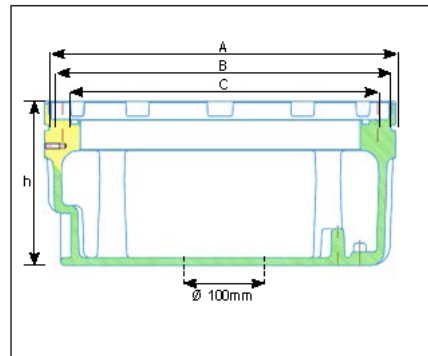
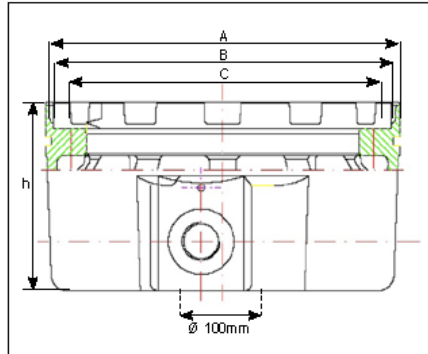


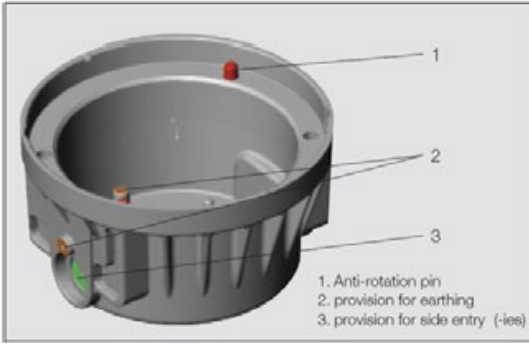
Figure 5. Dimensions 8" Eurobase



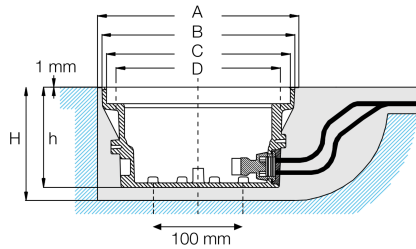
# EUROBASE/HPI

## Dimensions — HPI

Figure 6. Base details (here shown on a 8" HPI type)



Nominal diameter	Dimensions (mm)				
	A	B	C	h	H
8"	240	216	184	115	125-130



## Weight and volume — HPI

Base type	Condition	Volume (mm)	Weight (kg)
8"	unpacked	dia 216×115	2,5
	packed per pce	225x225×120	2,8

## Accessories

Covers: blind wooden cover for temporary installation of the bases, without their fittings:

8" : 4071.86.050

12" : available upon request

## Blind aluminum cover

Use for a durable watertight protection of the base:

8" : 1411.19.950

12 : 1411.88.061

## Blind steel cover

8" : 1411.19.700 (UNC screws)

8" : 1411.19.710 (including 4071.76.660 steel cover, M10 metric screws and washers)

## Installation jigs:

Jig : 1411.19.260, Simplified installation jig (Fig.7)

Jig : 1411.19.251, Sighting telescope with support for mounting onto the installation jigs. The telescope can be moved from one jig to another, only one required for a number of installation jigs. (Fig.6)

Figure 7. Sighting telescope



Figure 8. Installation Jig



# EUROBASE/HPI

## Ordering Code - Eurobase

Type	Dimension	Fixing hardware	Type of entries	Entry accessories <sup>4</sup>	Base Depth	Digit 9	Version
<input type="checkbox"/>	<input type="checkbox"/>	<input type="checkbox"/>	<input type="checkbox"/>	<input type="checkbox"/>	<input type="checkbox"/>	<input type="checkbox"/>	<input type="checkbox"/>

Y  0

### Type

MSB = Mounting Shallow Base

### Dimension

A = 8" Eurobase  
B = 12" Eurobase

### Fixing hardware

0 = M10 screw nylon, for 8"<sup>1</sup>  
1 = M10 screw, 8"  
2 = M10 stud 8" (Style II light)  
A = M10 stud 8" short (Style III light)  
3 = 3/8 x 16UNC screw 8"  
4 = 3/8 x 16UNC screw 12"  
5 = M10 screw 12"<sup>1</sup>  
6 = M10 screw nylon 12"  
7 = M10 stud 12" (Style II light)  
B = M10 stud 12" short (Style III light)

### Type of entries

0 = Bottom hole 100mm  
1 = Single side entry  
2 = "Double side entry, same side"  
3 = "Double side entry, opposite side"  
4 = Triple side entry  
5 = Bottom hole with "extension pot" 1 cable entry  
6 = Bottom hole with "extension pot" 2 cable entries  
9 = Single side entry (milled inside bottom), for FFL only<sup>2,3</sup>  
A = Bottom hole 100mm, for FFL only<sup>4</sup>  
B = Triple side entry  
C = Double bottom entry  
D = Single bottom entry

### Entry accessories<sup>4</sup>

0 = None  
1 = Feed through without earthing  
2 = Feed through with earthing  
3 = PG16 for 2 core cable (OD 8 to 15mm)  
4 = PG16 for 3 single wires<sup>5</sup>  
5 = PG16 for 2 single wires  
6 = PG16 2 single wires < PG16 3 single wires<sup>6</sup>  
7 = PG16 for 4 single wires<sup>7</sup>

### Base Depth

0 = Standard  
1 = Extra deep, 8" 150mm

### Digit 9

0 = Standard  
1 = 4-bolts, 8"

### Version

3 = Original version

### Notes

- All 8" bases will be supplied with a concreteing collar of 18mm
- All 12" bases being supplied with 16mm collar

<sup>1</sup>German version, supplied with:

- Anti-rotation pins mounted (in 8" Eurobase)
- Through passing fixation holes

<sup>2</sup>For flasher only

<sup>3</sup>Digit 7 must be "0", but base is delivered with special PG for flashing cable.

<sup>4</sup>Digit 7 can only be 0 if digit 6 is 0, A, or D

<sup>5</sup>French execution, for flat connector with earth

<sup>6</sup>Only available for the 8" Eurobase

<sup>7</sup>Only for 150mm

# EUROBASE/HPI

## Ordering Code - HPI

Type	Fitting Version	Fixing hardware	Type of entries	Entry accessories 2	Fixed digit	Fixed digits	Version
□	□	□	□	□	□	□	□

### Type

MSB = Mounting Shallow Base

### Fitting Version

C = HPI 8" base

### Fixing hardware

0 = M10 screw nylon <sup>1</sup>

1 = M10 screw 8"

2 = M10 stud (Style II light)

A = M10 stud short (Style III light)

### Type of entries

0 = Bottom hole 100mm dia

1 = Single side entry

2 = "Double side entry, same side"

5 = Central bottom hole with "extension pot" 1 cable entry

6 = Central bottom hole with "extension pot" 2 cable entries

### Entry accessories <sup>2</sup>

0 = None

1 = Feed through without earthing

2 = Feed through with Earthing

3 = PG16 for 2 core cable (OD 8 to 15mm)

4 = PG16 for 3 single wires

5 = PG16 for 2 single wires

B = Bottom entrance  $\Phi$ 15 CN

C = Compression gland PG16 for 4 single wires

S = Side Entrance  $\Phi$ 15 CN

### Fixed digit

Y = extra earthing screws in and outside

### Fixed digits

000 =

### Version

3 = Original version

### Notes

All 8" bases will be supplied with a concreteing collar of 18mm

<sup>1</sup>German version, supplied with through passing fixation holes

<sup>2</sup>Digit 7 can only be 0 if digit 6 is 0