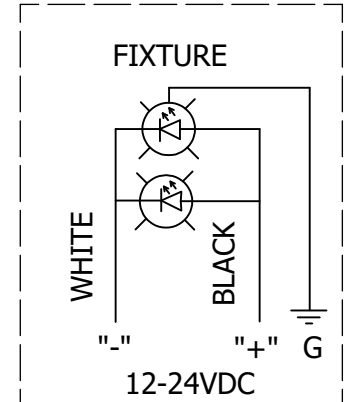
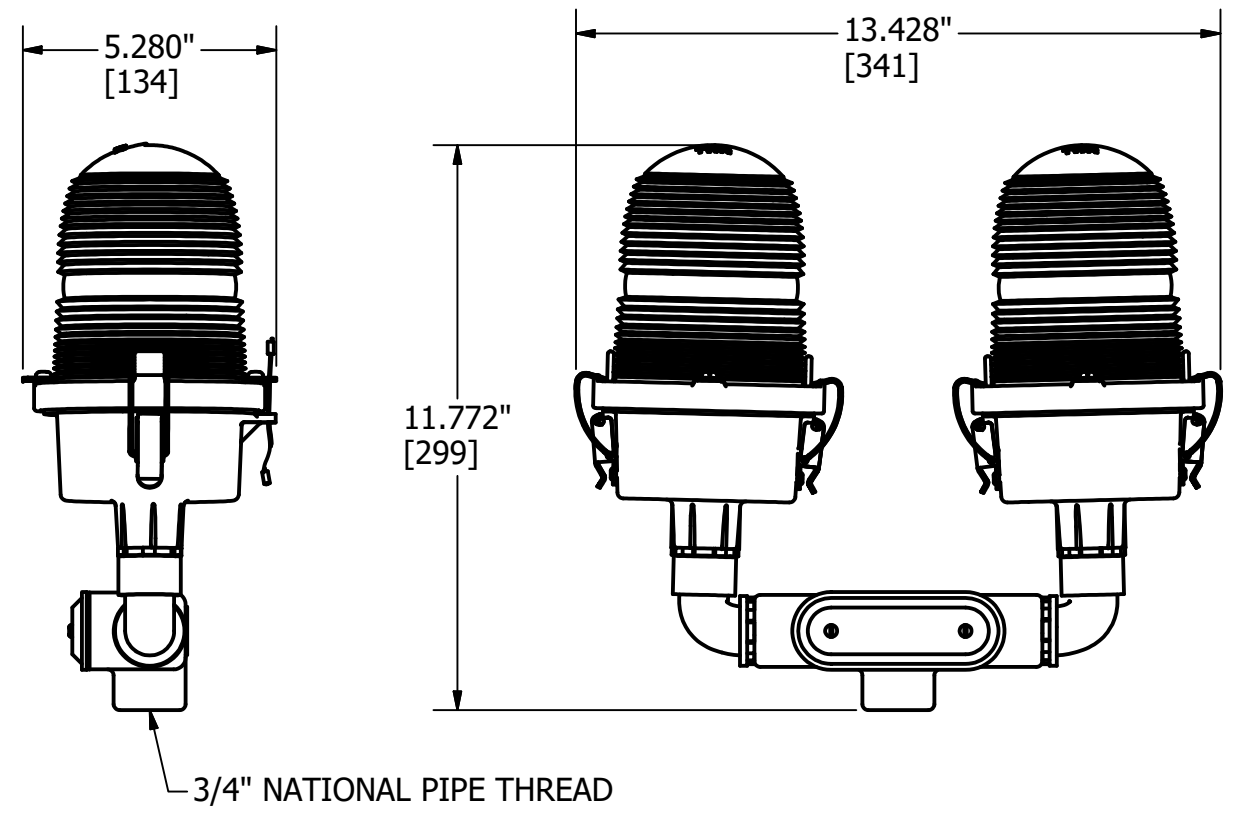


Parts List			
ITEM	QTY	STOCK NUMBER	DESCRIPTION
1	1	T27CG	T27 CONDULET W/COVER & GSKT
2	2	34CLNP	3/4" GALV CLOSE NIPPLE
3	2	EL3490	3/4" 90 DEGREE SHORT ELBOW GALV
4	5	A314	3/4" CONDUIT LOCKNUT GALV.
5	1	100680	OL1/2 LED SERIAL # LABEL
6	2	OL1VBH34LED3	FAA OL16LED 12-24VDC VALOX (OPTION)
6	2	OL1CBH34LED3-IR	FAA OL16LED/IR 12-24VDC VALOX (OPTION)



* GROUND WIRE MUST BE CONNECTED TO PROPERLY PROTECT POWER SUPPLY. FAILURE TO GROUND WILL VOID ALL WARRANTIES.

NOTES:

- "WARNING" WHEN CONNECTING THIS LIGHT FIXTURE TO DC VOLTAGE POLARITY MUST BE CORRECT. IF POLARITY IS REVERSED THE UNIT COULD BE PERMANENTLY DAMAGED.
- "WARNING" INPUT VOLTAGE IS 12-24DC VOLTAGE ± 10%. OVER VOLTAGE COULD PERMANENTLY DAMAGE THE UNIT.

OL2VLED3-IR 12-24VDC VALOX HOUSING (L810 DOUBLE OBSTRUCTION LIGHT)			
PROD DEPT			
SERV DEPT			
ENGINEER			
DRAWN BY	G.SEBEK	SHEET SIZE	B
DATE	06/09/2005	SCALE	N.T.S
		DWG. NO.	100646
		SHEET QTY.	1 OF 1

REV	AUTHOR	DATE	DESCRIPTION
B	J.Z	09/26/2023	UPDATED BOM

The use of non-OEM parts or modifications to original equipment design will void the manufacturer warranty and could invalidate the assurance of complying with FAA requirements as published in Advisory Circular 150/5345-43. NOTICE: The drawings and photographic images contained herein are the sole property of TWR Lighting, Inc. All information contained herein that is not generally known shall be considered confidential except to the extent the information has been previously established. The drawings and photographic images contained herein may not be reproduced, copied or used as the basis for manufacture or sale or promotion or any other purpose without the expressed written permission of TWR Lighting, Inc.